

SNAPSIC 4P

10 000 h / 85°C

16 V ... 500 V	330 µF ... 150 000 µF	Ø 35 (1,378) ... Ø 45 (1,772)	- 55°C + 85°C	Long Life Time
----------------	-----------------------	-------------------------------	---------------	----------------



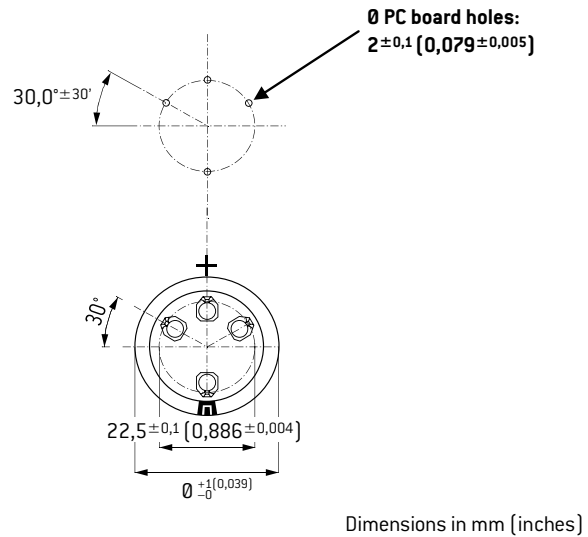
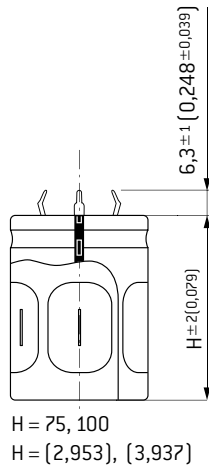
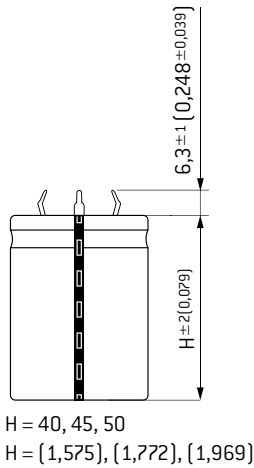
APPLICATIONS

- Printed circuit mounting
- Switch mode power supplies
- Impulse current

Fixing: SNAP-IN pins

Tolerance on capacitance at 20°C : ± 20 %
 Operating temperature : - 55°C +85°C

4 SNAP-IN terminals



Dimensions in mm (inches)

Dummy pins near positive terminal are for mechanical support only. They must be electrically insulated from the positive and the negative terminals.

Can size	Ø mm (inches)		Hb mm (inches)	
1	35	{1,378}	50	{1,969}
2	35	{1,378}	75	{2,953}
3	35	{1,378}	100	{3,937}
4	40	{1,575}	40	{1,575}
5	40	{1,575}	50	{1,969}
6	40	{1,575}	75	{2,953}
7	40	{1,575}	100	{3,937}
8	45	{1,772}	45	{1,772}
9	45	{1,772}	50	{1,969}
10	45	{1,772}	75	{2,953}
11	45	{1,772}	100	{3,937}

RESISTANCE TO VIBRATIONS

Hb mm (inches)	H = 40 (1,575), 45 (1,772), 50 (1,969)	H = 75 (2,953), 100* (3,937)
f (Hz)	10 - 500 Hz	10 - 2000 Hz
Amplitude	0,75 (0,030)	1,5 (0,059)
Acceleration	10 g - 98 m/s ²	20 g - 196 m/s ²
t (h)	3 x 2 h	3 x 2 h

* and on request for: H = 40 {1,575}, 45 {1,772}, 50 {1,969}

SPECIFICATIONS

CECC 30 300 Long life
 DIN 41 240 - Climatic category FPF - 55°C + 85°C / 56 days
 IEC 60 384.4 long life

WITHSTAND STRENGTH OF INSULATING SLEEVE

Insulation resistance at 20°C between pins and mounting hardware:
 100 MΩ
 Test voltage at 50 Hz 1 min. between terminals and mounting hardware: 2000 V
 Fire resistance: self extinguish 15 s (IEC 60 695-2-2)

10 000 h / 85°C

Capacitance [μ F]	Dimensions		Can size	Tan δ 100 Hz +20°C max. [%]	ESR 100 Hz +20°C Typic [m Ω]	Z 10 kHz +20°C Typic [m Ω]	II +20°C 5 min. max. [mA]	I ~ 100 Hz		Code		
	\emptyset mm [inches]	H mm [inches]						+40°C max. [A]	+85°C max. [A]			
Rated voltage / Peak voltage: 16/18 V												
47000	35	(1,378)	50	(1,969)	1	55	15	15	4.5	20	8.0	A 714020
47000	40	(1,575)	40	(1,575)	4	55	15	15	4.5	20	7.9	A 714030
68000	35	(1,378)	50	(1,969)	1	67	12	10	6.5	20	9.0	A 714021
100000	35	(1,378)	75	(2,953)	2	82	10	8	9.6	20	12.0	A 714023
100000	45	(1,772)	45	(1,772)	8	82	10	8	9.6	20	11.0	A 714035
150000	40	(1,575)	100	(3,937)	7	122	10	8	14.0	20	14.0	A 714034
Rated voltage / Peak voltage: 25/30 V												
33000	35	(1,378)	50	(1,969)	1	70	20	18	5.0	20	7.0	A 714040
33000	40	(1,575)	40	(1,575)	4	100	38	20	5.0	15	5.0	A 714050
47000	35	(1,378)	75	(2,953)	2	62	15	13	7.1	20	9.6	A 714043
47000	40	(1,575)	50	(1,969)	5	62	15	13	7.1	20	8.7	A 714051
68000	40	(1,575)	75	(2,953)	6	67	12	10	10.0	20	13.0	A 714053
100000	40	(1,575)	100	(3,937)	7	82	10	8	15.0	20	16.0	A 714054
Rated voltage / Peak voltage: 40/48 V												
22000	35	(1,378)	50	(1,969)	1	43	24	17	5,2	19	6,4	A 714060
22000	40	(1,575)	40	(1,575)	4	65	36	24	5,2	15	5,1	A 714070
33000	35	(1,378)	75	(2,953)	2	47	15	13	7,9	20	9,6	A 714063
33000	45	(1,772)	45	(1,772)	8	47	15	13	7,9	20	8,9	A 714075
47000	35	(1,378)	100	(3,937)	3	53	12	10	11,0	20	12,0	A 714064
47000	40	(1,575)	75	(2,953)	6	53	12	9	11,0	20	12,0	A 714073
Rated voltage / Peak voltage: 50/58 V												
15000	35	(1,378)	50	(1,969)	1	38	26	18	4,5	18	6,1	A 714080
15000	40	(1,575)	40	(1,575)	4	38	26	18	4,5	18	6,0	A 714090
22000	35	(1,378)	75	(2,953)	2	40	22	16	6,6	20	7,9	A 714083
22000	40	(1,575)	50	(1,969)	5	48	35	17	6,6	17	5,7	A 714091
33000	40	(1,575)	75	(2,953)	6	48	18	14	9,9	20	9,5	A 714093
47000	40	(1,575)	100	(3,937)	7	57	15	11	14,0	20	12,0	A 714094
Rated voltage / Peak voltage: 63/76 V												
10000	35	(1,378)	50	(1,969)	1	25	25	20	3,0	19	6,2	A 714100
10000	40	(1,575)	40	(1,575)	4	30	35	22	3,0	16	5,2	A 714110
15000	35	(1,378)	75	(2,953)	2	28	22	18	5,7	20	7,9	A 714103
15000	45	(1,772)	45	(1,772)	8	28	22	18	5,7	20	7,4	A 714115
22000	35	(1,378)	100	(3,937)	3	32	18	15	8,3	20	10,0	A 714104
22000	40	(1,575)	75	(2,953)	6	32	18	13	8,3	20	10,0	A 714113
33000	45	(1,772)	75	(2,953)	10	43	16	11	11,0	20	11,0	A 714117
47000	45	(1,772)	100	(3,937)	11	50	13	9	13,0	20	13,0	A 714118
Rated voltage / Peak voltage: 80/92 V												
6800	35	(1,378)	50	(1,969)	1	16	25	20	3,2	19	6,2	A 714120
6800	40	(1,575)	40	(1,575)	4	22	35	25	3,2	16	5,2	A 714130
8200	35	(1,378)	50	(1,969)	1	19	25	18	4,0	19	6,2	A 714121
10000	35	(1,378)	75	(2,953)	2	21	25	21	4,8	20	7,4	A 714123
10000	45	(1,772)	45	(1,772)	8	21	25	21	4,8	20	6,9	A 714135
15000	35	(1,378)	100	(3,937)	3	24	20	16	7,2	20	9,5	A 714124
15000	40	(1,575)	75	(2,953)	6	24	20	13	7,2	20	9,5	A 714133
Rated voltage 100/115 V												
4700	35	(1,378)	50	(1,969)	1	11	28	20	2,8	18	5,9	A 714140
4700	40	(1,575)	40	(1,575)	4	15	38	25	2,8	15	5,0	A 714150
6800	35	(1,378)	75	(2,953)	2	19	35	23	4,0	19	6,3	A 714143
6800	45	(1,772)	45	(1,772)	8	19	35	23	4,0	18	5,8	A 714155
10000	35	(1,378)	100	(3,937)	3	24	30	21	6,0	20	7,7	A 714144
10000	40	(1,575)	75	(2,953)	6	24	30	20	6,0	20	7,7	A 714153
Rated voltage / Peak voltage: 160/185 V												
2200	35	(1,378)	50	(1,969)	1	15	60	40	2,1	13	4,2	A 714160
2200	40	(1,575)	40	(1,575)	4	15	60	40	2,1	12	4,0	A 714170
3300	35	(1,378)	75	(2,953)	2	10	40	30	3,2	18	5,9	A 714163
3300	45	(1,772)	45	(1,772)	8	10	40	30	3,2	16	5,5	A 714175
4700	40	(1,575)	75	(2,953)	6	13	35	27	4,5	20	6,8	A 714173
Rated voltage / Peak voltage: 200/230 V												
1500	35	(1,378)	50	(1,969)	1	11	80	55	1,8	10,0	3,5	A 714180
2200	35	(1,378)	50	(1,969)	1	11	55	40	2,6	13,0	4,2	A 714181
3300	35	(1,378)	75	(2,953)	2	16	60	40	4,0	14,0	4,8	A 714185
3300	45	(1,772)	45	(1,772)	8	16	60	40	4,0	13,0	4,5	A 714196
4700	40	(1,575)	75	(2,953)	6	20	50	30	5,6	17,0	5,7	A 714192
6800	45	(1,772)	100	(3,937)	11	21	30	20	8,2	20	8,9	A 714198

SNAPSIC 4P

10 000 h / 85°C

Capacitance [μF]	Dimensions		Can size	Tanδ 100 Hz +20°C max. [%]	ESR 100 Hz +20°C Typic [mΩ]	Z 10 kHz +20°C Typic [mΩ]	II +20°C 5 min. max. [mA]	I~ 100 Hz		Code		
	Ø mm [inches]	H mm [inches]						+40°C max. [A]	+85°C max. [A]			
Rated voltage / Peak voltage: 250/290 V												
1500	35	(1,378)	50	(1,969)	1	10	70	50	2.3	11	3,7	A 714201
1500	40	(1,575)	40	(1,575)	4	12	90	60	2.3	9.7	3.2	A 714209
2200	35	(1,378)	75	(2,953)	2	12	65	45	3.3	14.0	4.6	A 714205
2200	40	(1,575)	50	(1,969)	5	12	65	45	3.3	13.0	4.2	A 714211
3300	40	(1,575)	75	(2,953)	6	12	45	30	5.0	18.0	6.0	A 714212
4700	45	(1,772)	75	(2,953)	10	13	35	25	7.0	20.0	7.2	A 714216
Rated voltage / Peak voltage: 350/385 V												
1000	35	(1,378)	50	(1,969)	1	10	80	60	2.1	10,0	3,5	A 714221
1500	35	(1,378)	75	(2,953)	2	12	70	40	3.2	13.0	4.4	A 714222
1500	45	(1,772)	50	(1,969)	9	12	90	60	3,2	11	3,8	A 714236
2200	45	(1,772)	75	(2,953)	10	12	54	33	4.6	17.0	5.8	A 714237
3300	45	(1,772)	100	(3,937)	11	14	45	30	6,9	20	8,0	A 714238
Rated voltage 385/425 V												
560	40	(1,575)	40	(1,575)	4	10	160	100	1.3	7.3	2.4	A 714250
680	35	(1,378)	50	(1,969)	1	10	180	140	1.6	7.0	2.3	A 714241
1000	35	(1,378)	75	(2,953)	2	10	110	80	2.3	11.0	3.5	A 714242
1000	45	(1,772)	45	(1,772)	8	10	110	80	2.3	11.0	3.7	A 714255
1500	40	(1,575)	75	(2,953)	6	10	80	60	3.5	13.0	4.5	A 714252
2200	45	(1,772)	100	(3,937)	11	13	70	50	5.1	17.0	5.8	A 714258
Rated voltage / Peak voltage: 400/450 V												
560	35	(1,378)	50	(1,969)	1	12	220	160	1.9	6.3	2.1	A 714260
680	35	(1,378)	50	(1,969)	1	12	210	150	2.1	6.4	2.1	A 714261
1000	35	(1,378)	75	(2,953)	2	12	120	80	2.5	10.0	3.4	A 714262
1000	45	(1,772)	45	(1,772)	8	12	130	90	2.5	9.1	3.0	A 714275
1200	45	(1,772)	50	(1,969)	9	12	120	80	2,8	10	3,3	A 714276
1500	40	(1,575)	75	(2,953)	6	12	100	70	3.1	12.0	4.0	A 714272
2200	40	(1,575)	100	(3,937)	7	16	90	70	3,8	11	4,8	A 714277
2200	45	(1,772)	100	(3,937)	11	14	80	50	3,8	16.0	5.4	A 714278
Rated voltage / Peak voltage: 450/500 V												
470	35	(1,378)	50	(1,969)	1	13	250	170	2.8	5.9	2.0	A 714280
470	40	(1,575)	40	(1,575)	4	13	250	170	2.8	5.8	1.9	A 714290
560	35	(1,378)	50	(1,969)	1	13	180	120	3.0	7.0	2.3	A 714281
680	35	(1,378)	75	(2,953)	2	13	140	100	3.3	9.4	3.1	A 714283
680	45	(1,772)	45	(1,772)	8	13	150	110	3.3	8.8	2.9	A 714295
820	35	(1,378)	75	(2,953)	2	13	140	90	3.6	9.4	3.1	A 714285
820	45	(1,772)	45	(1,772)	8	13	140	90	3.6	8.8	2.9	A 714296
1000	35	(1,378)	100	(3,937)	3	13	120	90	4.1	12.0	3.9	A 714284
1000	40	(1,575)	75	(2,953)	6	13	120	90	4.1	11.0	3.7	A 714293
1000	45	(1,772)	50	(1,969)	9	13	130	80	4,1	9,5	3,2	A 714299
1500	45	(1,772)	75	(2,953)	10	14	110	80	4.9	12.0	4.1	A 714297
2200	45	(1,772)	100	(3,937)	11	16	90	60	6.0	15,0	5,1	A 714298
Rated voltage / Peak voltage: 500/550 V												
330	35	(1,378)	50	(1,969)	1	13	360	270	2.4	4.9	1.6	A 714301
470	35	(1,378)	75	(2,953)	2	13	320	230	2.9	6.2	2.1	A 714303
470	45	(1,772)	45	(1,772)	8	13	360	260	2.9	5.5	1.8	A 714315
680	40	(1,575)	75	(2,953)	6	13	240	170	3.5	7.8	2.6	A 714313
1000	45	(1,772)	75	(2,953)	10	14	160	120	4.2	10.0	3.4	A 714317
1500	45	(1,772)	100	(3,937)	11	16	130	90	5.2	13.0	4.3	A 714319

10 000 h / 85°C

EXPECTED LIFE

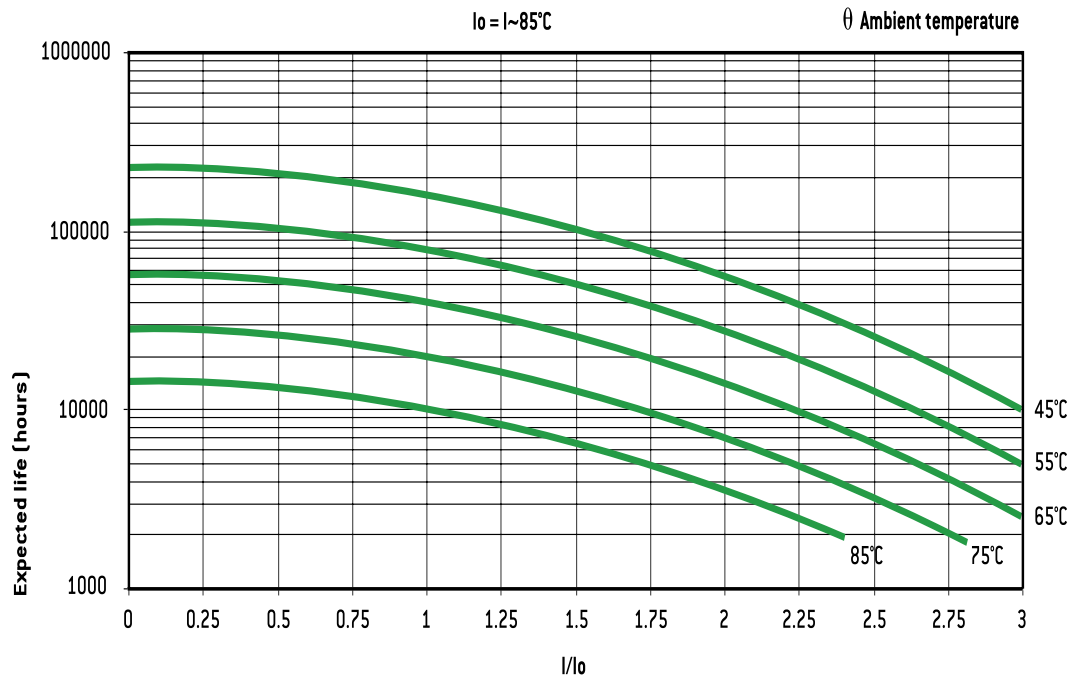
as a function of temperature and ripple current

PERMISSIBLE RIPPLE CURRENT I (R.M.S. VALUE)

versus frequency f:

I_r: permissible r.m.s. current at 100 Hz

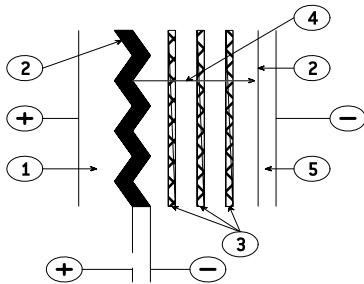
f (Hz)	50	100	300	600	1 000	10 000	≥ 50 000
I	0,8 x I _r	I _r	1,2 x I _r	1,3 x I _r	1,35 x I _r	1,5 x I _r	1,6 x I _r



General technical data

1. BASIC CONSTRUCTION

Structure of an electrolytic aluminum capacitor is shown hereunder:



1. Anode: aluminum foil
2. Dielectric: aluminum oxide
3. Papers spacers impregnated with electrolyte
4. Ionic conduction assumed by electrolyte
5. Cathode: aluminum foil

The positive plate is an etched aluminum foil covered with alumina which is the dielectric of the capacitor.

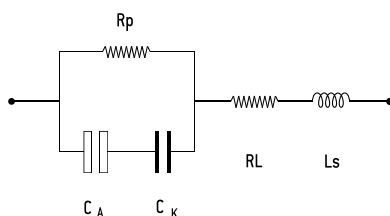
The negative plate is constituted by a second aluminum foil which serves as a current supply, and by electrolyte-impregnated papers layers.

The metal used for anode is a $\geq 99,98\%$ grade aluminum.

The dielectric has a thickness of $13 \text{ \AA} / V$.

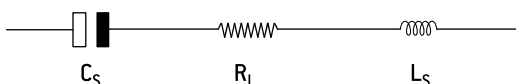
The aluminum used for the cathode is a $\geq 98\%$ grade aluminum covered with a dielectric layer with a thickness of about 40 \AA .

2. DIAGRAM OF THE EQUIVALENT CIRCUIT



- C_A = Capacitance of the anode
- C_K = Capacitance of the cathode
- R_p = Parallel resistance due to the aluminum oxide film.
- R_L = Series resistance of connections, plates and impregnated spacer.
- L_s = Inductance of winding and connections.

A standard simplified diagram is.



C_s is the series capacitance of both anode and cathode capacitances. Electrolytic aluminum capacitors are naturally polarized because of the insulating film on the anode. Given the very thin aluminum oxide layer, a reversed voltage should not exceed 1.5 V when there is energy supply.

Short duration reverse voltages can be absorbed by special construction, second anode replacing the former cathode.

3. CAPACITORS MARKING

3.1. ARTICLE CODE (ON EACH PACKAGING)

A followed by 6 figures number. First 3 positions are specific of the range. (Ex. A 745xxx for a FELSIC 85 BD)

140 FELSIC in bank	741 FELSIC 125 FRS BD (ex 731)
701 PRORELSIC 125	742 PRORELSIC 105 TFRS
703 PRORELSIC 125	743 PRORELSIC 105 TFRS
704 SNAPSIC	744 FELSIC 85 BC FELSIC 85 LP
705 SNAPSIC 105	745 FELSIC 85 BD
706 FELSIC HP BC – BD	746 FELSIC 85 M BC
708 PRORELSIC 145	747 FELSIC 85 M BD
710 CUBISIC	748 SICAL CO 42 - SICAL
711 PROMISIC 031	749 SICAL CO 42 - SICAL
712 CUBISIC LP	750 CUBISIC 125
713 SNAPSIC 105 LP	756 FELSIC 105 BC FELSIC 105 LP
714 SNAPSIC 4P	757 FELSIC 105 BD
715 SNAPSIC 105 4P	760 FELSIC 125
716 SNAPSIC HV	761 FELSIC HC BD
717 SNAPSIC HC	762 FELSIC 105 TFRS BC
718 SNAPSIC 125	763 FELSIC 105 TFRS BD
721 RELSIC 033	764 FELSIC HV BC
722 CI FRS	765 FELSIC HV BD
723 CI FRS	775 VACSIC
728 FELSIC 039 (ex 72?) FELSIC DI	774 VACSIC 150
738 FELSIC 037 (ex 73?)	776 ALSIC 20G ALSIC 145 20G
740 FELSIC 125 FRS BC (ex 731)	

In FELSIC ranges, article code without first letter A, is printed on each capacitor.

a Figure 9 in fourth position shows a special product.

3.2. BATCH (ON EACH CAPACITOR).

3 figures or 6 figures

3.3. DATE (ON EACH CAPACITOR IF APPLICABLE)

4 figures (year-week)

4. ELECTRICAL CHARACTERISTICS

4.1. RATED CAPACITANCE C_R

The rated capacitance is defined at 100 Hz and at ambient temperature.

4.2. RATED VOLTAGE U_R

U_R is the maximum DC voltage which may be applied in continuous operation.

When applying a superimposed alternating voltage, the peak value of the resulting waveform should not exceed the rated voltage.

4.3. PEAK VOLTAGE U_p

U_p is the maximum repetitive voltage which can be applied within short periods.

Defined in CECC 30 300 and IEC 60 384-4:

1000 cycles of 30 s charge followed by a no load period of 5 min. 30 s with upper category temperature.

$$U_p \leq 1,15 U_R (U_R \leq 315 V)$$

$$U_p \leq 1,10 U_R (U_R > 315 V)$$

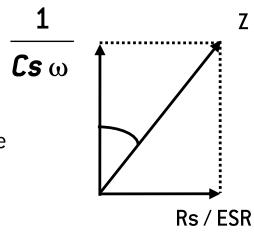
General technical data

4.4. DISSIPATION FACTOR TANδ

The dissipation or loss factor is defined by its tangent $\text{Tan}\delta$

$$\text{Tg}\delta = R_s C_s \omega$$

$$(\omega = 2\pi F)$$



ESR Capacitor Equivalent Series Resistance

Cs Capacitor capacitance

F Frequency [100 Hz]

Z Capacitor impedance

4.5. EQUIVALENT SERIES RESISTANCE ESR

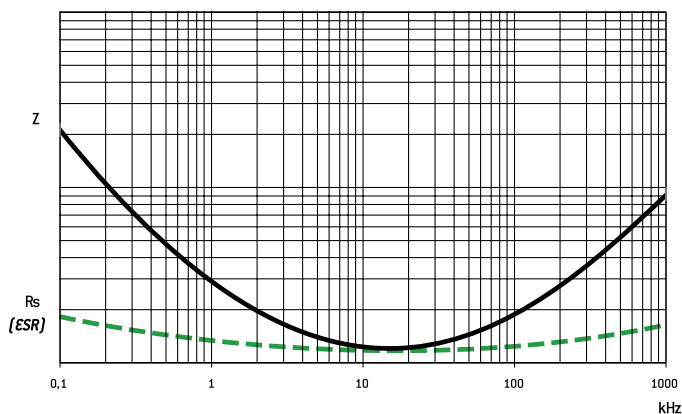
The relation between ESR and dissipation factor $\text{Tan}\delta$ is given in § 4.4.

4.6. IMPEDANCE Z - INDUCTANCE L

The impedance is given by:

$$Z = \sqrt{R^2 + \left[L\omega - \frac{1}{C\omega}\right]^2}$$

L inductance. Generally $L = 5$ to 20 nH



Z and ESR as function of frequency typically follows the chart:

4.7. PERMISSIBLE RIPPLE CURRENT (I r.m.s.) I~

The current is defined at the maximum climatic category and at 100 Hz. It is the root mean square value r.m.s. The value I_0 is the rated value for calculations of expected life up to $3 I_0$.

4.8. LEAKAGE CURRENT II

It is measured at 20°C after a 5 min. polarization under rated voltage.

For C_R in μF and U_R in V:

$I \leq 0,01 C_R U_R$ or $1 \mu\text{A}^*$

when $C_R U_R \leq 1000 \mu\text{C}$

$I \leq 0,006 C_R U_R + 4 \mu\text{A}$

when $C_R U_R > 1000 \mu\text{C}$

For $U_R > 350 \text{V}_{\text{DC}}$ it can be specified:

with $K = 4, 6$ or 8

or

$I \leq 0,3 (C_R U_R)^{0,7} + 4 \mu\text{A}$ (CECC 30 300)

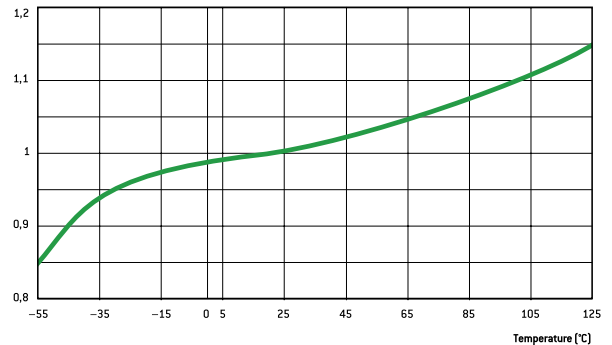
* Whichever is the greater

4.9. CHARACTERISTICS

Versus temperature [typical values].

4.9.1. Capacitance drift

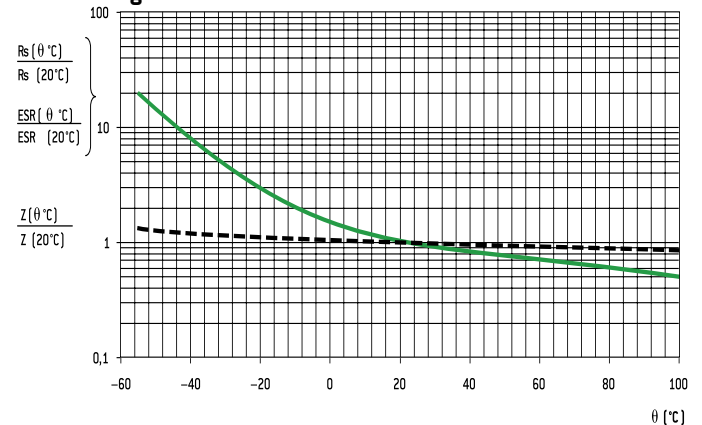
Versus temperature



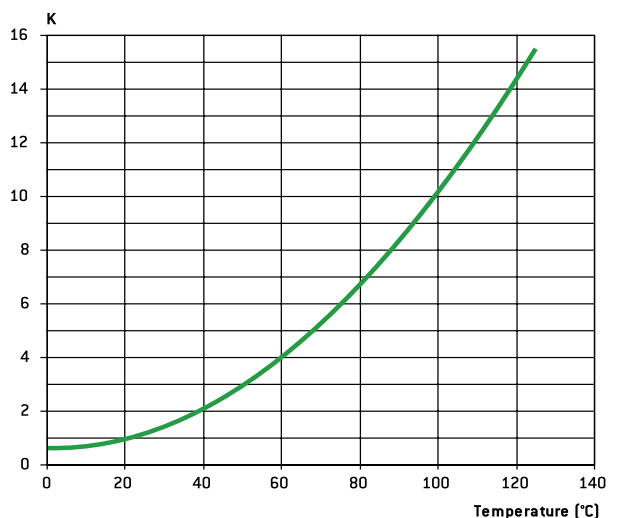
4.9.2. ESR and Z drifts at 100 Hz

Versus temperature

4.9.3 Leakage current drift



Versus temperature



General technical data

5. SPECIFICATION TO APPLY

Electrolytic aluminum capacitors are defined in:

- NF and UTE French national standard
- CECC European specifications
- IEC international specifications

Quality insurance procedures are described in these specifications.

	French	European	International
Generic specification Fixed capacitors	NF C 83 100	CECC 30 000 EN 130 000	IEC 60 384 -1 QC 300 000
Sectional specification Electrolytic aluminum capacitors	NF C 83 110	CECC 30 300	IEC 60 384 - 4 C 300 300
Blank deta II specification - Electrolytic aluminum capacitors with non solid electrolyte.	UTE 83 110	CECC 30 301	IEC 60 384 - 4 -1 QC 300 301
Blank deta II specifications	CECC 30 301- 017 to CECC 30 301- 062 CO 31 to CO 55	CECC 30 301- 017 to CECC 30 301- 062 CECC 30 301- 802 to CECC 30 301- 811	

6. ENDURANCE TESTS / LIFE TIME

6.1. STANDARD ENDURANCE TEST

at max category temperature:

Temperature	Endurance test			
	Grade I - Long life			Grade II - General purpose
	10 000 h	5 000 h	2 000 h	1 000 h
125°C			•	
105°C		•	•	•
85°C	•	•	•	•

Standard endurance tests do not exceed 2000 hours at 125°C. However, present EXXELIA technologies concerning liquid electrolytes have led to endurance tests up to 5000 hours at 125°C (PRORELSIC 125 - FELSIC 125 RS) and even 20000 hours at 125°C (PRORELSIC 145 - ALSIC 145)

6.2. PERFORMANCE REQUIREMENTS ON STANDARD ENDURANCE TESTS.

Permissible capacitance drift $\Delta C/C$ (%)

Permissible increase factors on $\tan\delta$, ESR, Z and II initial values

U_R	Endurance test			
	Grade I			Grade II
	10 000 h	5 000 h	2 000 h	1 000 h
6,3 V			+15 -30	+25 -40
10 V - 35 V	+15 -20	± 15	± 15	± 30
40 V - 160 V	± 15	± 15	± 15	± 30
> 160 V	± 15	± 10	± 10	± 15

	Endurance test			
	Grade I			Grade II
	10 000 h	5 000 h	2 000 h	1 000 h
$\tan\delta$ or ESR [1]	1,5	1,3	1,3	1,5
Z [2]	3	2	2	3
II	Standard values			

[1] $\tan\delta$ or ESR: for initial value, take standard value.

[2] Z: for initial value, take specified value [see data sheet].

Specific requirements can be taken into consideration with regards to initial values of dissipation factor or equivalent series resistance and impedance.

6.3. FAILURE CRITERIA FOR ELECTROLYTIC CAPACITORS.

Failure criteria are defined in CECC 30 301

- Non measurable defaults leading to complete failure.
- Measurable defaults leading to adjustment losses of the load circuit (failure due to variations).

6.3.1. Non measurable defaults.

They might be summed up as:

- Open circuit
- Short circuit
- Operation of pressure relief device
- Severely damaged insulation
- Unusable terminations

6.3.2. Measurable defaults.

Variations exceeding the values given below characterize a default.

- Capacitance drift $\Delta C/C$ (%): 3 times the limit for standard endurance testing or 50 % (whichever is the smallest).
- $\tan\delta$ or ESR: 3 times standard max initial values.
- Z: 3 times standard max initial values.
- II: initial limit (under load conditions).

Specific requirements can be taken into consideration with regards to lower drifts.

6.4. INFLUENCE OF MAIN PARAMETER ON OPERATIONAL LIFE.

6.4.1. Temperature.

The capacitors operational life is highly dependent upon its internal temperature Θ_i and therefore upon the ambient temperature and the ripple current.

Knowing ESR and dissipated power values (§ 6.4.3.) one can figure out, the internal temperature rise and then determine the capacitors expected life.

With present high boiling point electrolytes (§ 8.6)

Θ_i max = 125 to 185°C depending on styles.

6.4.2. Ripple current.

The ripple current flowing through the capacitor increase the internal temperature through power dissipation.

Standards define the permissible current at 100 Hz and generally consider a temperature rise of 5 to 10°C of max category temperature.

Current waveforms and frequencies make it difficult to clearly determine the capacitors internal temperature rise, which defines the operationally life.

Experiments confirm following relationship:

$$\Theta_i = \Theta_a + (\Theta_c - \Theta_a) K$$

Where:

- Θ_i = Internal hot spot temperature
- Θ_a = Ambient temperature
- Θ_c = Case temperature
- K = Parameter depending upon case diameter and cooling
 - $\emptyset \geq 51$ k = $2 \pm 0,5$
 - $\emptyset < 51$ k = $1,5 \pm 0,5$ (air cooling - 0,2 m/s)

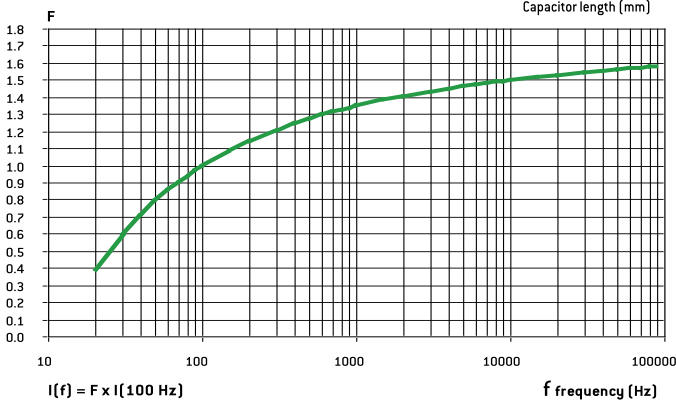
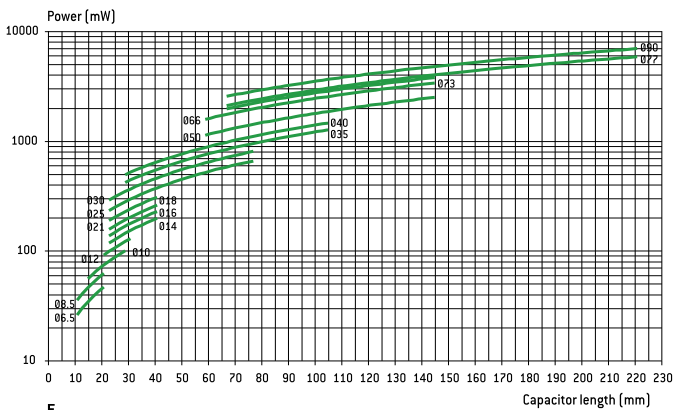
General technical data

r.m.s. value according to current waveform.

Function	Mean value	R.m.s. value	Function	Mean value	R.m.s. value	Function	Mean value	R.m.s. value
	$A (t_0/T)$	$A \sqrt{t_0/T}$		$A/2$	$A \sqrt{3}$		$2A/\pi$	$A/\sqrt{2}$
	$A (t_1/T)$	$A \sqrt{2t_1/3T}$		$2A/\pi (t_0/T)$	$A \sqrt{t_0/2T}$		$A/2$	$A/\sqrt{3}$
	$A/2 (t_0/T)$	$A \sqrt{t_0/3T}$		$A/2 (t_0/T)$	$A \sqrt{t_0/3T}$		0	A

6.4.3. Dissipated power versus case dimension

For calculations of ripple currents, considering an internal temperature rise of 10°C



$P = ESR \cdot I^2$

P = Dissipated power (mW)

($\Theta_i - \Theta_a = 10^\circ\text{C}$)

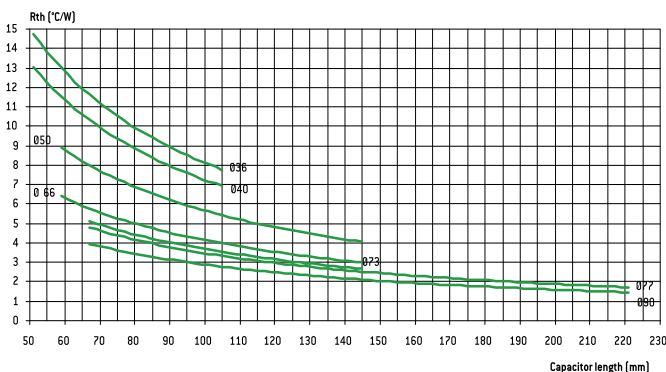
ESR: Equivalent series resistance (100 Hz 20°C)

I: Ripple current (r.m.s. value at 100 Hz)

For different frequencies from 100 Hz, I must be multiplied by the factor F, according to above chart.:

6.4.4. Thermal resistance Rth and air cooling

Rth is static thermal resistance (without cooling) between capacitor central hot spot and ambient temperature measured at a distance of one capacitor diameter



Forced or not cooling air can lead to a significant decrease of these values.

Consequently, r.m.s. ripple current can be increased as a function of air cooling speed:

Ø mm (inches)	≤ 0,5 m/s	1 m/s	2 m/s	3 m/s	≥ 4 m/s
66 - 90	1~	1,1~	1,2~	1,25~	1,3~
36 - 51	1~	1,2~	1,4~	1,45~	1,5~

This parameter shall be applied to one capacitor alone.

For capacitors in bank, ambient temperature must be strictly equal around all capacitors.

6.4.5. Quality guaranty

We guarantee products manufactured during 2 years from the data of shipment against defaults of material and assembly.

This guaranty can be involved by the buyer only if our products are used within normal conditions, always according to the state of the art and taking in account storage conditions.

The equipment design should take into consideration possible failures of our capacitors and related effects in order to avoid them.

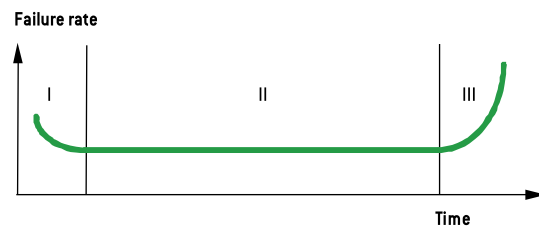
Guaranty is not applicable for damages occurred by surge voltage, irregular use, polarity inversion or maintenance default.

Guaranty is exclusively limited to the replacement of individual defective capacitors within the terms of delivery. This rule applied to all cases and particularly to any further consequence of failures.

6.4.6. Reliability

Failure rate:

$$FR = \frac{\text{Number of components tested} \times \text{test duration}}{\text{Number of failures}}$$



Failure rate is measured in FIT (failure in time = 10⁻⁹ / hour).

The failure rate is set up during the life time of the capacitor (phase II)

I. Early failure phase (generally excluded during ageing process).

II. Operational life time of the capacitors

III. End of life

General technical data

Mean time between failures MTBF = 1/FR mesured in years

Range	Failure rate for a failure percentage not exceeding 1% with a confidence level of 60 %
FELSIC 85 >350 V FELSIC HC > 350 V SNAPSIC - SNAPSIC HC > 350 V SNAPSIC 4P > 350 V PROMISIC 031 Ø = 6,5 SICAL CO 42 - SICAL > 350 V	50 FIT - (MTBF = 2280)
FELSIC 037 - 039 FELSIC 85 ≤ 350 V FELSIC HC ≤ 350 V CUBISIC CI FRS SNAPSIC 105 - SNAPSIC 105 4P SNAPSIC 105 LP - SNAPSIC HV SNAPSIC - SNAPSIC 4P ≤ 350 V SNAPSIC HC ≤ 350 V ALSIC IR - ALSIC 145 - ALSIC HV - VACSIC 150 - VACSIC SICAL CO 42 - SICAL ≤ 350 V PRORELSIC 125 Ø = 6,5 RELSIC 033 PROMISIC 031 Ø > 6,5	25 FIT - (MTBF = 4560)
FELSIC 125 FRS - SNAPSIC 125 FELSIC HV - FELSIC 105	10 FIT - (MTBF = 11410)
PRORELSIC 125 Ø > 6,5 PRORELSIC 145	5 FIT - (MTBF = 22820)

Multiplying factor of FR with voltage and temperature

Factor	Temperature [°C]							
	≤ 40	50	60	70	85	105 (1)	125 (1)	145 (1)
Factor	1	1,5	2,3	3,4	6,3	14	32	72

(1) Only for permitted capacitors

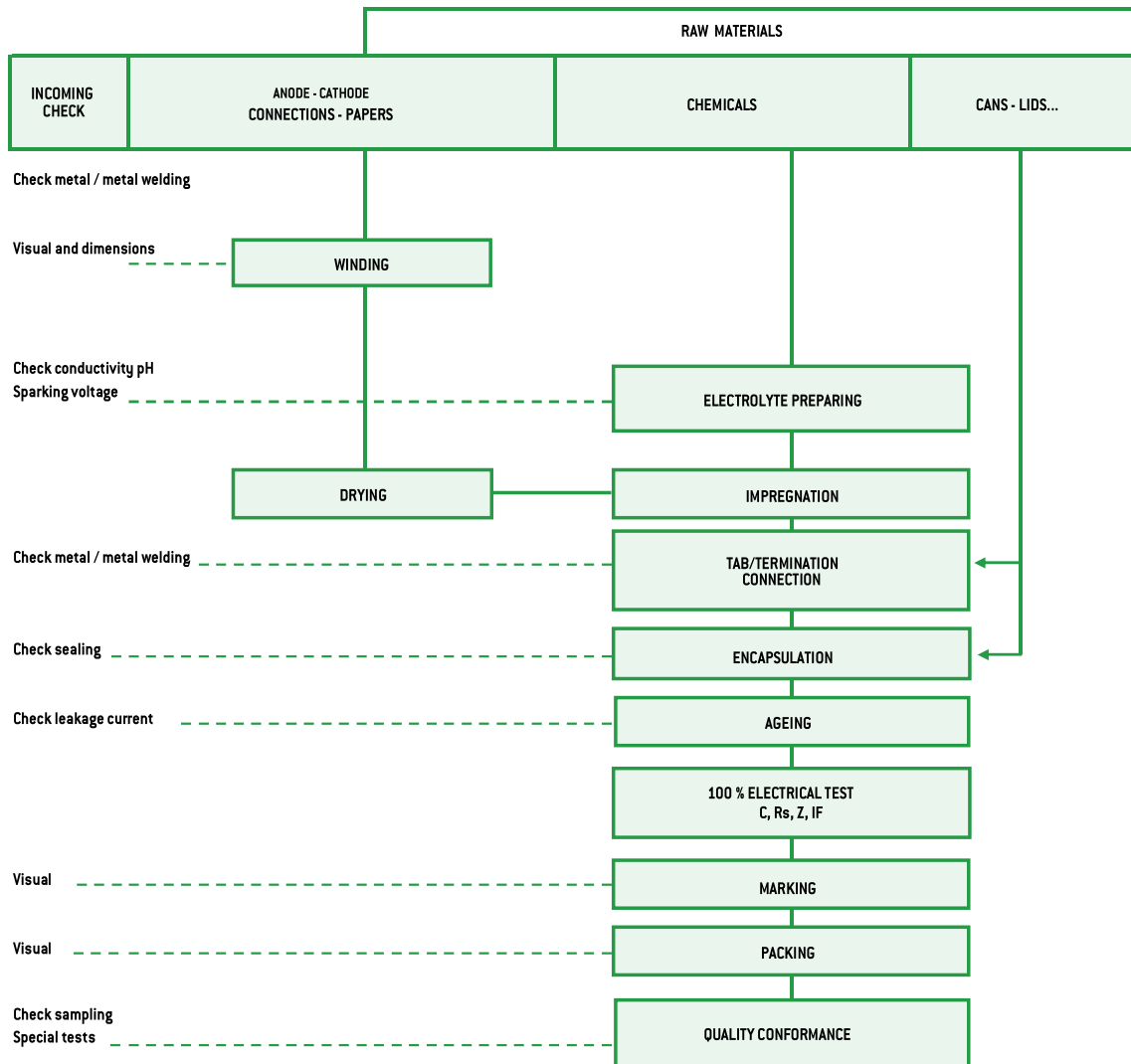
Factor	Percentage of rated voltage (2)		
	100 %	80 %	50 %
Factor	1	0,8	0,5

(2) This voltage has to be constant

Environ-ment	Without vibration		Ground with vibrations or mob Ile			
	Ground, fix Controlled air	Ground, fix	PRORELSIC SNAPSIC 20 g FELSIC 20 g	FELSIC 10 g PROMISIC SICAL Ø ≤14	CI FRS - SNAPSIC RELSIC SICAL Ø >14	ALSIC
Factor	1	2	2	4	6	12

7. MANUFACTURING FLOW CHART

Process controls



General technical data

8. INFORMATION ON APPLICATION

8.1. CLEANING SOLVENTS

Use aliphatic alcohols, such as denatured ethyl alcohol, isopropanol, or butylacetate, or else alkaline diluted solutions. Avoid incompatible solvents (halogenous for example).

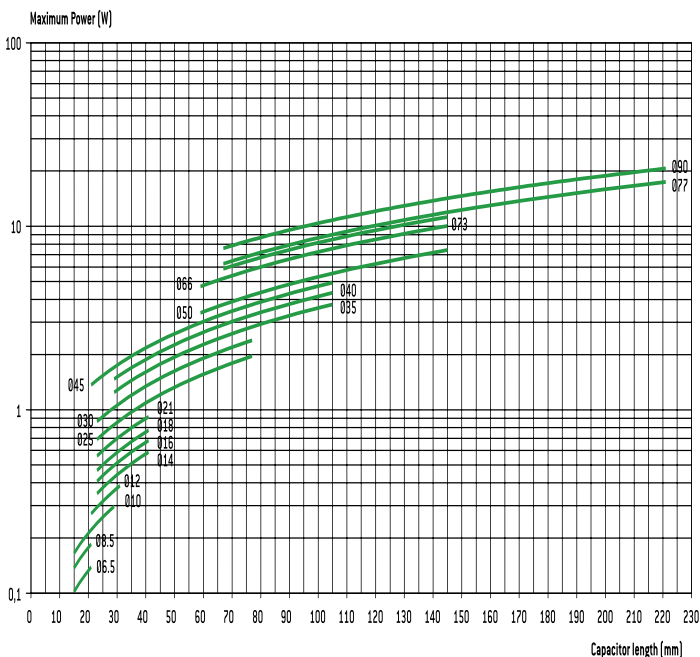
8.2. SHELF LIFE

There is no electrical characteristics variation for long periods of storage except leakage current which can increase.

It is caused by chemical reactions between the dielectric alumina and the electrolyte. These reactions are reversible when switched on. Capacitors can generally be stored at temperature between -5° and $+50^{\circ}\text{C}$ without reforming for the following periods of time:

- For $U_R \leq 100\text{ V}$, storage time: 5 years (up to 10 years under specific conditions)
- For $100\text{ V} < U_R \leq 360\text{ V}$ storage time: 3 years
- For $360\text{ V} < U_R < 500\text{ V}$ storage time: 1 year
- For $U_R \leq 500\text{ V}$, storage time: 6 months

Generally when these periods are overstepped, one hour at rated voltage causes the decrease of leakage current under the specified limits. An other way to avoid this leakage current increase problem is to always limit available power through capacitor during first seconds or minutes after storage or transport, according to the following chart:



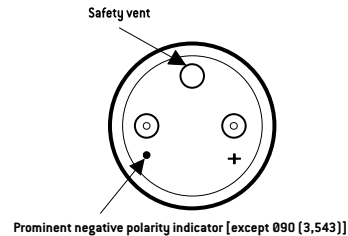
8.3. LOW PRESSURE RESISTANCE

EXXELIA capacitors can be used with ambient low pressure decreasing up to 10 mbar (altitude 28000 m – 92000 feet).

8.4. MOUNTING SCREW TERMINALS CAPACITORS (FELSIC)

Capacitors may be used vertically (terminals on top) or horizontally. When used horizontally, the following position in relation to the safety vent, is recommended:

Mounting capacitors in series may be used for operating voltage exceeding U_R . See FELSIC in bank.



8.5. MOUNTING SOLDER TYPE CAPACITORS.

They may be used in any position. During mounting, avoid applying excessive force to capacitor pins or wires. There is a risk of damaging internal connections.

After soldering and for the same reasons, do not try to move the capacitor's body.

8.6. ELECTROLYTES: SAFETY RULES.

Electrolytes used in EXXELIA capacitors are manufactured by EXXELIA. Main solvents are generally γ butyrolactone and ethylene glycol, very stable high boiling point solvents. Ionic conductive salts in electrolyte induce a very weak acidity (pH 5 to 7).

8.7. ENVIRONMENT.

In aluminium capacitors with liquid electrolyte there is no component showing a pollution risk, in small amounts, of air or water. EXXELIA is always involved in this security field particularly in using chemicals for electrolyte, without well-known risks.

- Dimethylformamide (DMF) dangerous solvent forbidden in several uses is completely excluded by EXXELIA, since 1990.
- There is no halogen compound such as chlorofluorocarbon (CFC or FCKW in German) or polychlorobiphenyl (PCBPyrallene) or pentabromodiphenylether or octabromodiphenylether.

There is neither benzene, toluene or phenyl compound nor explosive such as picric acid, nor asbestos in plastic covers. All the capacitors made by EXXELIA since 1991, can be scrapped or used in raw materials recycling processes without special care in compliance with Community rules.

EXXELIA aluminium capacitors with non-solid electrolyte are particularly suitable for different kinds of environment taking in account severity increasing laws.

European directives 2003/11/EC, 2002/96/EC (WEEE) and 2002/95/EC (RoHS) applies to all EXXELIA capacitors including every solder type, manufactured with pure tin coated pins or wires, since at least January 2006.

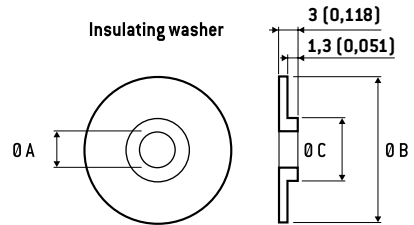
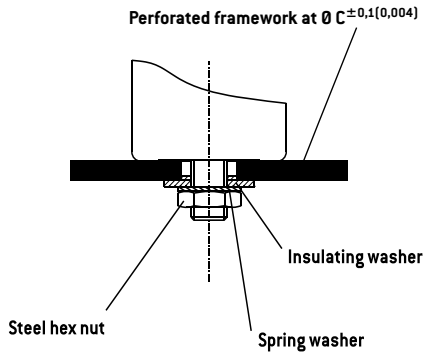
Mounting and insulating parts

STUD FIXING: FELSIC BD

Steel nut, spring washer and insulating washer are delivered loosely with the capacitor.

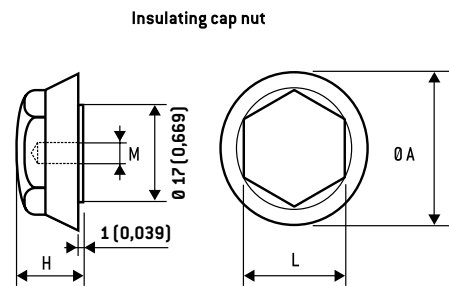
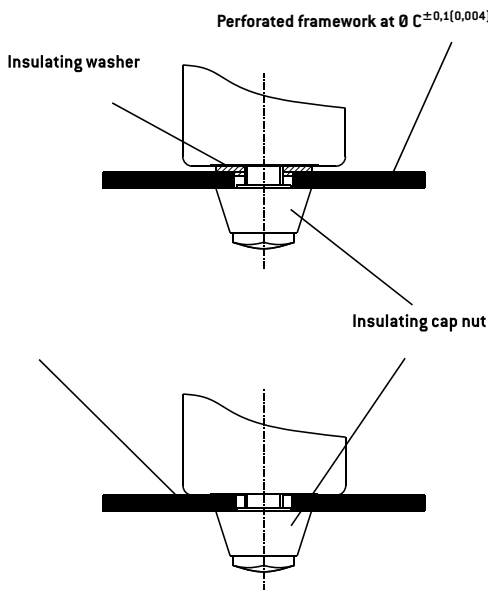
STANDARD MOUNTING WITH:

Insulating washer and steel nut



Ø Capacitor	DIMENSIONS in mm (inches)				Code
	M	Ø A	Ø B	Ø C	
36	8	8,4	25	18,5	A 691060
51 - 77	12	12,5	30	21,5	A 691061
90	12	12,5	35	21,5	A 691062

Insulating plastic nut with or without insulating washer

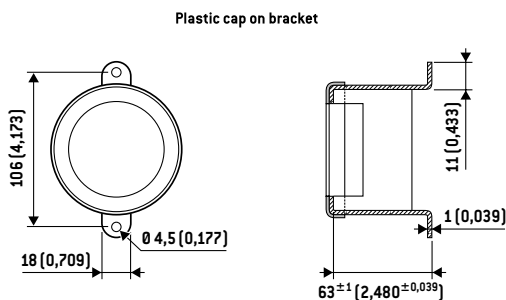


M	Ø A	H	L	Max. torque	Code
8 [0,315]	25 [0,984]	15 [0,591]	17 [0,669]	3 Nm	A 691070
12 [0,472]	30 [1,181]	20 [0,787]	19 [0,748]	7 Nm	A 691071

Ring - clip mounting: FELSIC LP

Ring clips shall be ordered separately.

Tightening screws and nuts are supplied loosely.



FELSIC 85 LP FELSIC 105 LP	Code
Metal bracket	A691055
Plastic cap	A691065

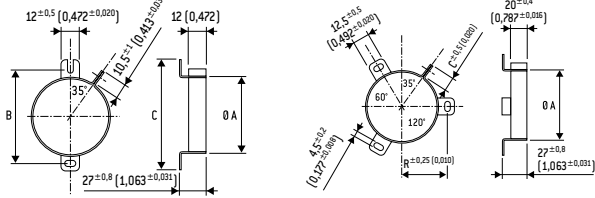
General technical data

Ring - clip mounting: FELSIC BC

Ring clips shall be ordered separately.

Tightening screws and nuts are supplied loosely.

FELSIC BC - Metal ring-clips



Ø A Cap.	B	C	Code	Ø A Cap.	B	C	Code
36 (1,417)	54 (2,126)	63 (2,480)	A 691901	51 (2,008)	33,5 (1,319)	11,8 (0,465)	A 691905
				66 (2,598)	39 (1,535)	10,5 (0,413)	A 691913
				73 (2,874)	44 (1,732)	10,5 (0,413)	A 691914
				77 (3,031)	44,5 (1,752)	10,5 (0,413)	A 691907
				90 (3,543)	53,3 (2,098)	11,8 (0,465)	A 691915

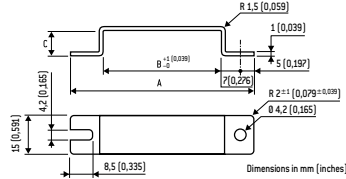
Stirrup mounting: CUBISIC LP

Stirrups shall be ordered separately.

Tightening screws and nuts are supplied loosely

Salt mist endurance of screws and mounting accessories:
minimum 96 h (IEC 600 68-2-11)

CUBISIC /CUBISIC LP - Metal bracket



Ø A Cap.	A	B	C	Code
45x12 (1,772x0,472)	69 (2,717)	45 (1,772)	10 (0,394)	A 691057
35x16 (1,378x0,630)	59 (2,323)	35 (1,378)	14 (0,551)	A 691059

PACKAGING

1. PACKAGING AND WEIGHT UNITS.

1.1. Capacitor with screw terminals

Can DIMENSIONS in mm (inches)				Unit weight *
Ø	H			(g)
36 (1,417)	47 (1,850)	52 (2,047)	53 (2,087)	70
36 (1,417)	60 (2,362)			79
36 (1,417)	80 (3,150)	81 (3,189)		100
36 (1,417)	104 (4,094)	105 (4,134)		120
51 (2,008)	47 (1,850)			80
51 (2,008)	62 (2,441)	63 (2,480)		105
51 (2,008)	81 (3,189)	82 (3,228)		190
51 (2,008)	104 (4,094)	105 (4,134)		260
51 (2,008)	112 (4,409)			270
51 (2,008)	144 (5,669)			370
66 (2,598)	104 (4,094)	105 (4,134)		430
66 (2,598)	112 (4,409)			460
73 (2,874)	104 (4,094)	112 (4,409)		600
73 (2,874)	144 (5,669)			680
77 (3,031)	104 (4,094)	105 (4,134)		620
77 (3,031)	144 (5,669)	145 (5,709)		860
77 (3,031)	200 (7,874)			1300
77 (3,031)	220 (8,674)	221 (8,701)		1400
90 (3,543)	67 (2,638)			600
90 (3,543)	144 (5,669)	145 (5,709)		1400
90 (3,543)	200 (7,874)			1800

* Unit weight = typical values

Possible variations of = ± 25 % according to different voltage and capacitance.

1.2. Radial solder types

Can dimensions mm (inches)			ALSIC	SNAP-SIC	Can dimensions			ALSIC	SNAP-SIC
Ø	H		Weight* (g)		Ø	H		Weight* (g)	
10 (0,394)	16 (0,630)		1,8	-	35 (1,378)	30 (1,181)		-	50
12,5 (0,492)	21 (0,827)		4,5	-	35 (1,378)	40 (1,575)		-	50
12,5 (0,492)	24 (0,945)		5	-	35 (1,378)	45 (1,772)		-	52
					35 (1,378)	50 (1,969)		-	60
16 (0,630)	25 (0,984)		8,2	-	35 (1,378)	75 (2,953)		-	95
					35 (1,378)	100 (3,937)		-	125
22 (0,866)	25 (0,984)		-	15	40 (1,575)	40 (1,575)		-	65
22 (0,866)	30 (1,181)		-	17	40 (1,575)	50 (1,969)		-	100
22 (0,866)	40 (1,575)		-	18	40 (1,575)	75 (2,953)		-	130
					40 (1,575)	100 (3,937)		-	170
25 (0,984)	25 (0,984)		-	17	45 (1,772)	21 (0,827)		-	50
25 (0,984)	30 (1,181)		-	20	45 (1,772)	(0,984)		-	60
25 (0,984)	35 (1,378)		-	22	45 (1,772)	30 (1,181)		-	73
25 (0,984)	40 (1,575)		-	25	45 (1,772)	35 (1,378)		-	85
25 (0,984)	45 (1,772)		-	28	45 (1,772)	45 (1,772)		-	110
25 (0,984)	50 (1,969)		-	30	45 (1,772)	75 (2,953)		-	180
					45 (1,772)	100 (3,937)		-	240
30 (1,181)	25 (0,984)		-	28					
30 (1,181)	30 (1,181)		-	30					
30 (1,181)	35 (1,378)		-	30					
30 (1,181)	40 (1,575)		-	40					
30 (1,181)	45 (1,772)		-	45					
30 (1,181)	50 (1,969)		-	50					

Can DIMENSIONS in mm (inches)			CUBISIC
I	L	H	weight (g)
35 (1,378)	35 (1,378)	16 (0,630)	30
35 (1,378)	50 (1,969)	16 (0,630)	40
45 (1,772)	35 (1,378)	12 (0,472)	30
45 (1,772)	50 (1,969)	12 (0,472)	45
45 (1,772)	75 (2,953)	12 (0,472)	60

* Unit weight = typical values

Possible variations of = ± 25 % according to different voltage and capacitance.

1.3. Axial types

Can DIMENSIONS in mm (inches)		PRORELSIC RELSIC	PRORELSIC PROMISIC	SICAL CO 42 SICAL
Ø	H	Unit weight * (g)	Unit weight * (g)	Unit weight * (g)
6,5 (0,256)	15 (0,591)	-	1,6	-
6,5 (0,256)	19 (0,748)	-	1,8	1,8
8,5 (0,335)	19 (0,748)	-	2,3	2,3
10 (0,394)	19 (0,748)	-	2,8	2,8
10 (0,394)	25 (0,984)	-	3,5	3,5
10 (0,394)	28 (1,102)	-	3,8	-
12 (0,472)	25 (0,984)	-	5	-
12 (0,472)	30 (1,181)	-	5,4	5,4
14 (0,551)	30 (1,181)	-	6,9	6,9
14 (0,551)	41 (1,614)	-	9,5	-
(0,630)	30 (1,181)	7,7	-	7,7
18 (0,709)	35 (1,378)	13,6	-	-
18 (0,709)	40 (1,575)	15,3	-	15,3
21 (0,827)	40 (1,575)	19,5	-	19,5
25 (0,984)	40 (1,575)	28	-	28
25 (0,984)	50 (1,969)	35	-	35
25 (0,984)	75 (2,953)	56	-	56

* Unit weight = typical values

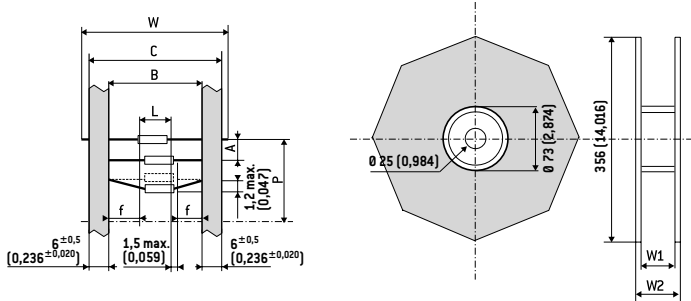
Possible variations of = ± 25 % according to different voltage and capacitance.

General technical data

2. PACKAGING ON TAPE

2.1. Axial types

Dimensions and tolerance in accordance with IEC 60 286-



DIMENSIONS in mm (inches)									
D	L max.	B	A	P	C max.	W ₁	W ₂ max.	W	n ⁽²⁾
6,5 (0,256)	20 (0,787)	73 ± 1,5 (2,874 ± 0,059)	10 ± 1,5 (0,394 ± 0,059)	± 2 (0,079)	87,5 (3,445)	93 (3,661)	106 (3,661)	85 ± 1,5 (3,346 ± 0,059)	1000 (39,370)
8,5 (0,335) ⁽¹⁾								750 (29,528)	
10 (0,394) ⁽¹⁾	32 (1,260)	73 ± 1,5 (2,874 ± 0,059)	15 ± 1,5 (0,591 ± 0,059)	± 3 (0,118)	87,5 (3,445)	93 (3,661)	106 (3,661)	85 ± 1,5 (3,346 ± 0,059)	400 (15,748)
12 (0,472) ⁽¹⁾									400 (15,748)
14 (0,551) ⁽¹⁾									200 (7,874)

(1) On tape only on request

(2) n = number of capacitors per reel.

White positive tape f : > 20 mm (0,787 inches)

P: 10 space

