

Current sense Transformer, up to 10Apk CT91 xxx 231 WR



- V_{out}/I_{pk} ratio: 1 V / 8 A
- Global accuracy $\pm 5\%$ on E96 series load resistor
- Low-profile and light
- Materials meet UL94V-0 rating
- Applied standards: ESCC-3201 generic (including MIL-STD-202) / ECSS-Q-70-02
- Frequency range 6 kHz to 500 kHz triangle wave
- Operating temperature range: -55°C to $+125^{\circ}\text{C}$
- Suited for I_R and vapor reflow soldering
- Weight: 2 grams

Electrical Data (25°C)

ID Code	Turn ratio	DCR_{1-2} m Ω	DCR_{3-4} $\Omega \pm 15\%$	L_{3-4} mH $\pm 15\%$	Frequency range triangle wave	$I_{pk} = I_{DC} + \Delta I / 2$ max	Z Load 1% ΔW	Insulation 500 V _{DC}
CT91 050 231 WR	1/50	<2	0.95	0.4	22kHz to 500 kHz	10	6.81 Ω	>16 Ω
CT91 075 231 WR	1/75	<2	2.15	0.9	15kHz to 300kHz	10	10.2 Ω	>16 Ω
CT91 100 231 WR	1/100	<2	3.70	1.6	9kHz to 200kHz	10	13.7 Ω	>16 Ω
CT91 200 231 WR	1/200	<2	14.6	6.4	6kHz to 70kHz	10	274 Ω	>16 Ω

To Order

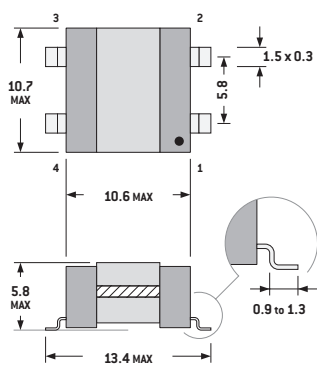
CT91 ### 231 WR

CT91	###	231	WR
Range	Turn ratio	Range	Gull wing highrel

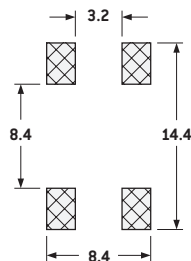
Notes

Typical performances at +25°C
Storage Temperature -55°C to $+140^{\circ}\text{C}$

Dimensions (mm, top view)

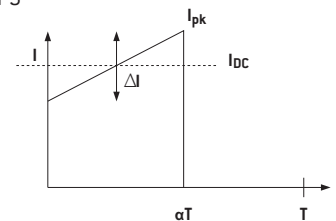


PCB Layout (suggested)

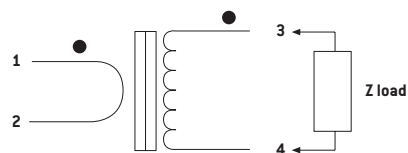


Application

Current detection/measurement for PWM control (Isense) in High-Rel. SMPS

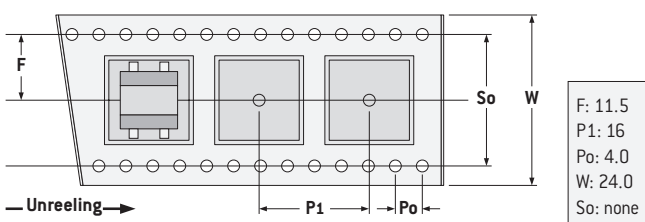


Connections

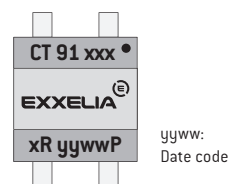


Packaging

Tape and Reel:
700 units per reel of diameter 330 mm



Marking



HIGH GRADE PRODUCTS