

Current sense Transformer, 1/200/200 up to 17Apk CT15 200 231 WR



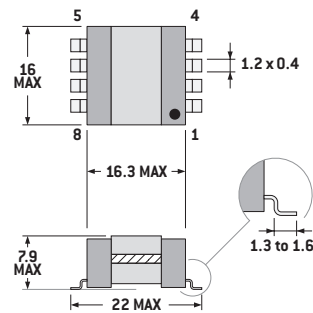
- Global accuracy $\pm 5\%$
- Low-profile and light
- Materials meet UL94V-0 rating
- Applied standards: ESCC-3201 generic (including MIL-STD-202) / ECSS-Q-70-02
- Frequency range 6 kHz to 100 kHz triangle wave
- Operating temperature range: -55°C to $+125^{\circ}\text{C}$
- Suited for I_R and vapor reflow soldering
- Weight: 6 grams

Electrical Data (25°C)

ID Code	DCR ₁₋₂ mΩ	DCR _{5-6/7-8} Ω $\pm 15\%$	L _{5-6/7-8} mH $\pm 10\%$	Insulation 500 V _{DC}
CT15 200 231 WR	1.1	21.8	6.4	>16Ω

Turn ratio	Schematic	I _p	I _s	Z load
1/400		17 A	42.5 mA	27 Ω
1/200		17 A	85 mA	15 Ω

Dimensions (mm, top view)



Notes

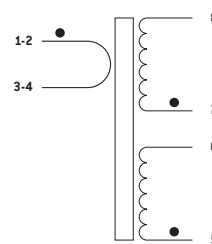
Typical performances at +25°C
Storage Temperature: -55°C to $+140^{\circ}\text{C}$
Thermal index: 180°C

To Order

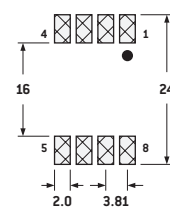
CT15 200 231 WR

CT15	200	231	WR
Range	Turn ratio	Range	Gull wing highrel

Connections

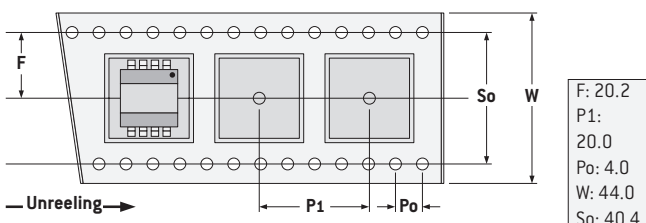


PCB Layout (suggested)



Packaging

Tape and Reel:
700 units per reel of diameter 330 mm



Marking

