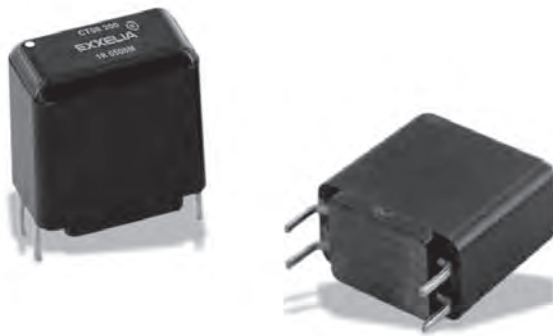


Current Transformer for DC/DC Applications CT08 200 221 PR

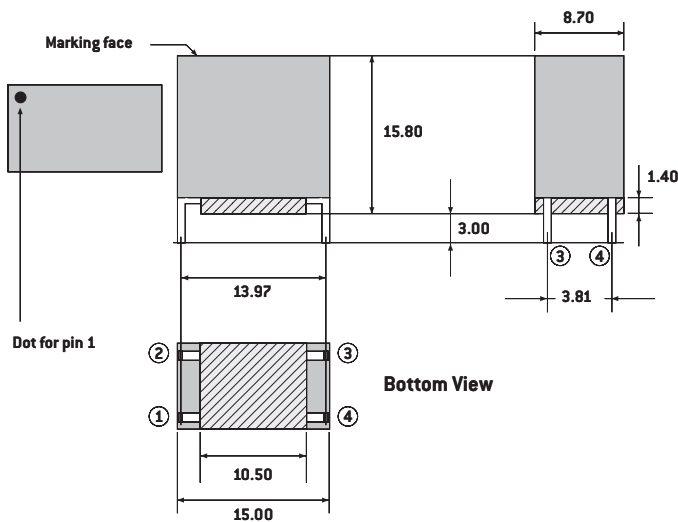


- Designed for DC/DC Converter Applications
- Measurement up to 5.4 A_{RMS} (8 A_{PEAK} - 3.6 max.) from 100 to 200 kHz with 2 % Accuracy
- Applied standards:
MIL-STD-202, ECSS-Q-70-02
ESCC-3201, D0-160

Electrical Data (25°C)

ID Code	Accuracy (-40°C / +110°C)	Transformer ratio	Secondary Inductance	Secondary DC Resistance	Insulation
CT08 200 221R	< 2% with R _L = 113Ω theoretical < 2% with R _L = 113Ω at 1% (E96)	V _{OUT} / I _{IN} = 0.56 (N _p / N _s = 1: 200)	L ₃₋₄ = 11.0 mH (± 25%) (100 kHz - 1V _{RMS})	R ₃₋₄ = 5.8 Ω (± 10%)	500 V _{DC} - 1 min (R _i ≥ 100 MΩ) between windings

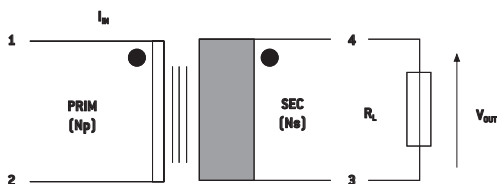
Typical Dimensions (mm)



Notes

- The component is dedicated to measure RMS current up to I_{IN} = 5.4 A_{RMS} (8 A_{PEAK} and 3.6 max.) for a waveform of working frequency from 100 to 200 kHz. Image of this current is the voltage (V_{OUT} = 3 V_{RMS} max.) picked on a resistive load R_L = 113 Ω at 1 % (E96 series).
- The component can also make the measurement keeping the same accuracy but with a ratio V_{OUT} / I_{IN} = 1.00. In this case, image of the current is the voltage (vs = 5.4 V_{RMS} max.) picked on a resistive load R_L = 200 Ω at 1 % (E96 series).
- Flammability compliance: UL94V0
- Insulation class (windings): H (180°C)
- Operating temperature: -40°C to +110°C
- Storage temperature: -55°C to +125°C

Connections

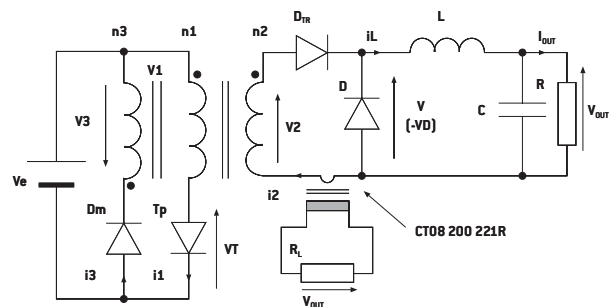


Marking



yyww:
Date code

Application Schema



CT08 200 221R can be used for measurement of secondary current (i₂) of a DC/DC forward converter (3.3 V / 8 A output and 100 kHz working frequency example) for regulation and surveillance operations.