

# Common Mode Chokes CMC 14 Series

High-Grade - Improved Temperature Stability



- Less than 20 % performance variations versus temperature [-55°C / +125°C]
- Minimum impedance attenuation: 100 Ω from 100 kHz to 30 MHz
- Compact SMD package (2 x 4 pins)
- Applied standards: MIL-STD-202, ECSS-Q-ST-70-02C, D0-160 and ESCC 3201 generic specification for space products
- Materials meet UL94-V0 rating
- Operating/storage temperature range: -55°C to +125°C
- Approximative weight: 5 grams

## Electrical Data

ID Code	Inductance Value at 25°C (-40/+35%)	max. RMS Current for ΔT = 40°C	max. R <sub>DC</sub> (25°C)
CMC14 M14 xWR	140 μH	7.2 A	3.0 mΩ
CMC14 M25 xWR	248 μH	6.4 A	3.5 mΩ
CMC14 M39 xWR	387 μH	5.7 A	4.4 mΩ
CMC14 M56 xWR	558 μH	5.4 A	5.0 mΩ
CMC14 M76 xWR	760 μH	4.5 A	7.0 mΩ
CMC14 M99 xWR	992 μH	3.8 A	10.0 mΩ
CMC14 1M2 xWR	1255 μH	3.2 A	14.0 mΩ
CMC14 1M5 xWR	1550 μH	2.6 A	20.0 mΩ
CMC14 2M2 xWR	2232 μH	2.2 A	29.0 mΩ

## Notes

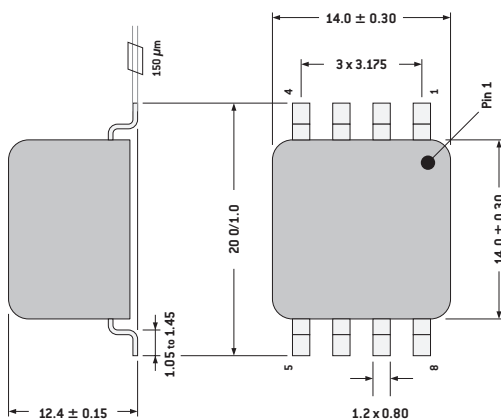
1. Dielectric strength test: 500v (50Hz - 1min)
2. max. power dissipation at +125°C: 400mW
3. Heat increase at max. current ≤ 25°C
4. 1:1 ratio (sector wound construction)
5. Interwinding capacitances < 15 pF
6. Variation of «L» values over the working temperature range ≤ 15 %
7. Admissible temp. during reflow soldering: +260°C / 30 seconds

## To Order

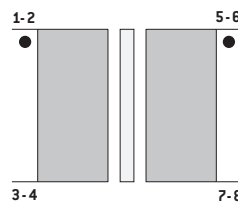
CMC 14 ### xWR

CMC 14	###	x
Range	Inductance value	Connections x = 2 connection 2 x = 3 connection 3

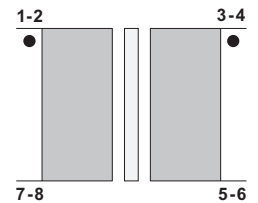
## Typical Dimensions (mm, top view)



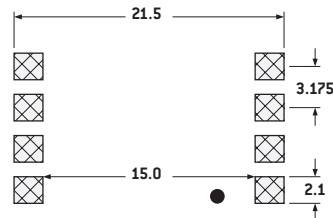
## Connection 2



## Connection 3

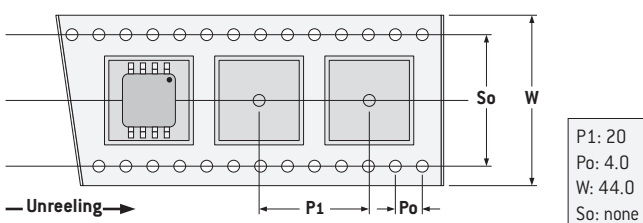


## PCB Layout (suggested)

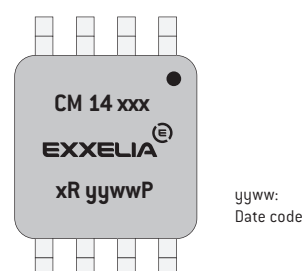


## Packaging

Tape and Reel:  
200 units per reel of diameter 330 mm



## Marking



HIGH GRADE PRODUCTS