

Wide Band RF Transformers - WRFT Series

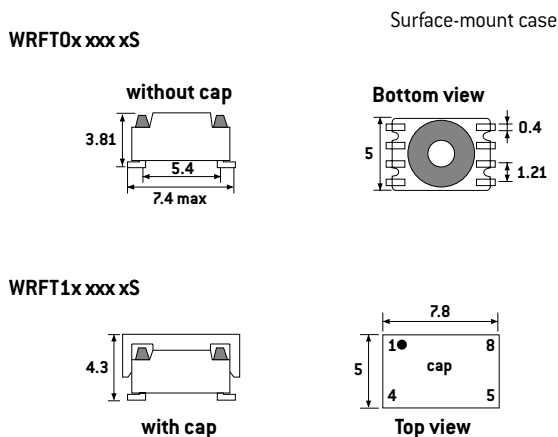


- Frequency bandpass 100 kHz to 500 MHz
- Power input max. 250 mW
- Isolation prim. to sec. 500 Vrms minimum
- Suited for IR and vapor reflow soldering
- Materials meet UL94-V0 rating
- Operating temperature range: -40 °C to +125 °C
- Weight: 0.5 gram

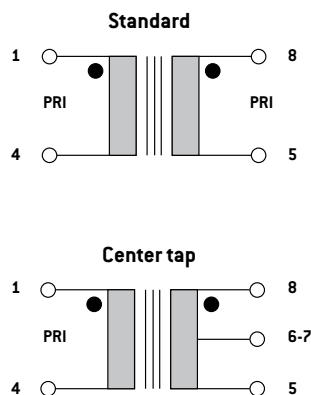
Electrical Data

| ID Code | Impedance ratio (Ω) | Bandwidth (MHz) | | |
|---------------|---------------------------------|-----------------|----------|---------|
| | | 3 dB | 2 dB | 1 dB |
| WRFTX1 1R0 1X | 50:50 | 0.15-400 | 0.35-200 | 2-50 |
| WRFTX1 2R0 1X | 50:100 | 0.30-300 | 0.5-250 | 2-230 |
| WRFTX2 2R0 1X | 50:100 center tap | 0.10-200 | 0.5-100 | 2-50 |
| WRFTX1 2R5 1X | 50:125 | 0.10-100 | 0.1-50 | 0.1-20 |
| WRFTX1 4R0 1X | 50:200 | 0.20-350 | 0.35-300 | 2-100 |
| WRFTX2 5R0 1X | 50:250 center tap | 0.30-300 | 0.6-200 | 0.5-100 |
| WRFTX2 8R0 1X | 50:400 center tap | 0.10-140 | 0.1-90 | 1-60 |
| WRFTX1 12R 1X | 50:600 | 0.20-110 | 0.5-80 | 1-50 |
| WRFTX1 13R 1X | 50:650 | 0.30-130 | 0.4-85 | 1-65 |
| WRFTX2 13R 1X | 5:650 center tap | 0.30-120 | 0.7-80 | 5-20 |
| WRFTX1 16R 1X | 50:800 | 0.30-120 | 0.7-80 | 5-20 |
| WRFTX2 16R 1X | 50:800 center tap | 0.10-75 | 0.2-30 | 0.3-20 |

Typical Dimensions (mm)



Connections



Packaging

Tape and Reel: 400 pieces

PCB Layout (suggested)

