

SNAPSIC 105

8 000 h / 105°C

16 V ... 500 V	22 µF ... 68 000 µF	Ø 22 (0,866) ... Ø 35 (1,378)	- 55°C + 115°C	Long Life Time
----------------	---------------------	-------------------------------	----------------	----------------



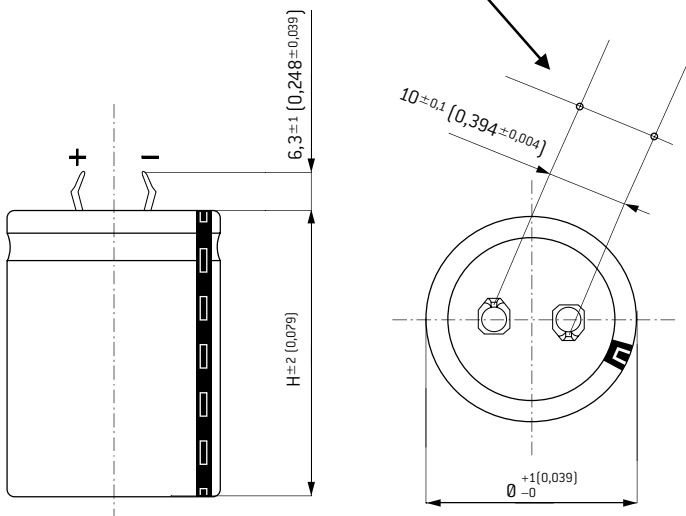
APPLICATIONS

- For solid PC board mounting
- Switch mode power supplies
- Impulse current

Fixing: Printed SNAP-IN pins

Tolerance on capacitance at 20°C : ± 20 %
 Operating temperature : - 55°C + 105°C

Ø PC board holes: $2 \pm 0,1$ (0,079 ± 0,004)



Dimensions in mm (inches)

DIMENSIONS in mm (inches)

Can size	Ø		H	
1	22	(0,866)	25	(0,984)
2	22	(0,866)	30	(1,181)
3	22	(0,866)	40	(1,575)
4	25	(0,984)	25	(0,984)
5	25	(0,984)	30	(1,181)
6	25	(0,984)	40	(1,575)
7*	25	(0,984)	50	(1,969)
8*	30	(1,181)	25	(0,984)
9	30	(1,181)	30	(1,181)
10	30	(1,181)	35	(1,378)
11	30	(1,181)	40	(1,575)
12*	30	(1,181)	45	(1,772)
13*	30	(1,181)	50	(1,969)
14	35	(1,378)	30	(1,181)
15	35	(1,378)	35	(1,378)
16	35	(1,378)	40	(1,575)
17	35	(1,378)	45	(1,772)
18	35	(1,378)	50	(1,969)

* Out of range

RESISTANCE TO VIBRATIONS

	Standard
f (Hz)	10 - 500 Hz
Amplitude	0,75 (0,030)
Acceleration	10 g - 98 m/s ²
t (h)	3 x 10 sweep cycles

SPECIFICATIONS

CECC 30300 - Long life
 DIN 41 240 - Climatic category: -55 + 105°C / 56 days
 IEC 60 384.4 Long life
 Standard endurance test at U_R: 2000 h / 105°C

WITHSTAND STRENGTH OF INSULATING SLEEVE

Insulation resistance at 20°C between pins and mounting hardware:
 100 MΩ
 Test voltage at 50 Hz 1 min. between terminals and mounting hardware: 2000 V
 Fire resistance: self extinguish 15 s (IEC 60 695-2-2)

SNAPIC 105

8 000 h / 105°C

Capacitance (μF)	Dimensions		Can size	Tan δ 100 Hz +20°C max. (%)	ESR 100 Hz +20°C Typic (m Ω)	Z 10 kHz +20°C Typic (m Ω)	I +20°C 5 min. max. (mA)	I \sim 100 Hz		Code		
	\emptyset mm (inches)	H mm (inches)						+40°C max. (A)	+105°C max. (A)			
Rated voltage / Peak voltage: 16/18 V												
4700	22	(0,866)	25	(0,984)	1	30	65	55	0,5	6,8	1,8	A 705020
6800	22	(0,866)	30	(1,181)	2	30	55	50	0,7	7,8	2,1	A 705021
10000	22	(0,866)	30	(1,181)	2	38	40	33	1,0	9,3	2,5	A 705026
15000	25	(0,984)	40	(1,575)	6	43	35	28	1,4	12	3,2	A 705023
22000	25	(0,984)	40	(1,575)	6	49	30	22	2,1	13	3,5	A 705027
33000	30	(1,181)	40	(1,575)	11	60	25	20	3,0	16	4,2	A 705030
47000	35	(1,378)	40	(1,575)	16	65	17	15	4,5	20	5,6	A 705028
68000	35	(1,378)	50	(1,969)	18	67	12	10	6,5	20	7,3	A 705029
Rated voltage / Peak voltage: 25/29 V												
2200	22	(0,866)	25	(0,984)	1	15	70	45	0,3	7	1,7	A 705040
3300	22	(0,866)	25	(0,984)	1	18	60	42	0,5	7	1,9	A 705048
4700	22	(0,866)	30	(1,181)	2	22	50	40	0,7	7,8	2,2	A 705041
4700	25	(0,984)	25	(0,984)	4	25	60	45	0,7	6,9	2	A 705042
6800	22	(0,866)	40	(1,575)	3	25	35	30	1,0	11	3	A 705043
10000	22	(0,866)	40	(1,575)	3	28	32	25	1,5	12	3,1	A 705046
22000	35	(1,378)	40	(1,575)	16	58	26	20	3,0	17	4,5	A 705045
33000	35	(1,378)	50	(1,969)	18	70	20	18	5,0	20	5,7	A 705047
Rated voltage / Peak voltage: 35/40 V												
2200	22	(0,866)	25	(0,984)	1	15	60	47	0,5	7	1,9	A 705060
3300	22	(0,866)	30	(1,181)	2	16	50	35	0,7	8,3	2,2	A 705065
4700	25	(0,984)	30	(1,181)	3	17	32	22	1,0	12	3,1	A 705061
6800	25	(0,984)	40	(1,575)	6	22	35	25	1,4	12	3,2	A 705066
10000	30	(1,181)	40	(1,575)	11	28	30	25	2,1	14	3,9	A 705067
15000	35	(1,378)	40	(1,575)	16	37	28	23	3,1	16	4,4	A 705068
18000	35	(1,378)	45	(1,772)	17	40	25	21	3,8	18	4,9	A 705070
22000	35	(1,378)	50	(1,969)	18	46	22	19	4,6	20	5,4	A 705069
Rated voltage / Peak voltage: 50/58 V												
1000	22	(0,866)	25	(0,984)	1	10	90	60	0,3	5,7	1,5	A 705080
2200	22	(0,866)	30	(1,181)	2	12	60	42	0,7	7,5	2	A 705081
3300	25	(0,984)	30	(1,181)	5	15	50	35	1,0	9	2,4	A 705085
4700	25	(0,984)	40	(1,575)	6	20	30	22	1,4	13	3,5	A 705082
6800	30	(1,181)	40	(1,575)	11	25	30	22	2,0	14	3,9	A 705086
10000	35	(1,378)	40	(1,575)	16	32	32	23	3,0	15	4,1	A 705083
15000	35	(1,378)	50	(1,969)	18	38	26	18	4,5	18	5	A 705084
22000	35	(1,378)	50	(1,969)	18	46	22	15	6,6	20	5,4	A 705087
Rated voltage / Peak voltage: 63/72 V												
1000	22	(0,866)	25	(0,984)	1	10	110	80	0,4	5,2	1,4	A 705100
1500	22	(0,866)	30	(1,181)	2	10	60	40	0,6	7,6	2	A 705106
2200	22	(0,866)	40	(1,575)	3	10	40	30	0,8	11	2,8	A 705107
2200	25	(0,984)	30	(1,181)	5	10	50	30	0,8	9	2,4	A 705108
3300	25	(0,984)	40	(1,575)	6	12	36	30	1,2	12	3,2	A 705109
4700	30	(1,181)	40	(1,575)	11	15	28	22	1,8	15	4	A 705110
6800	35	(1,378)	40	(1,575)	16	25	30	28	2,6	16	4,2	A 705111
10000	35	(1,378)	50	(1,969)	18	25	25	20	3,0	19	5,1	A 705112
Rated voltage / Peak voltage: 80/92 V												
1000	22	(0,866)	30	(1,181)	2	10	100	65	0,5	5,9	1,6	A 705113
1500	22	(0,866)	40	(1,575)	3	12	70	50	0,7	7,9	2,1	A 705114
2200	25	(0,984)	40	(1,575)	6	15	60	45	1,1	9,2	2,5	A 705115
3300	30	(1,181)	40	(1,575)	11	15	40	30	1,6	13	3,3	A 705116
4700	35	(1,378)	40	(1,575)	16	16	35	25	2,2	15	3,9	A 705117
6800	35	(1,378)	50	(1,969)	18	20	30	25	3,2	17	4,6	A 705118
10000	35	(1,378)	50	(1,969)	18	30	25	22	4,8	19	5,1	A 705119
Rated voltage / Peak voltage: 100/115 V												
330	22	(0,866)	25	(0,984)	1	5	150	90	0,2	4,4	1,2	A 705120
470	22	(0,866)	30	(1,181)	2	5	80	50	0,3	6,6	1,8	A 705121
680	22	(0,866)	30	(1,181)	2	5	70	40	0,4	7	1,9	A 705124
1000	22	(0,866)	40	(1,575)	3	7	50	35	0,6	9,4	2,5	A 705122
1500	25	(0,984)	40	(1,575)	6	10	50	30	0,9	10	2,7	A 705125
2200	30	(1,181)	35	(1,378)	10	10	40	30	1,3	12	3,2	A 705128
2200	35	(1,378)	30	(1,181)	14	11	50	35	1,3	11	2,9	A 705129
3300	35	(1,378)	40	(1,575)	16	12	35	25	2,0	15	3,9	A 705126
4700	35	(1,378)	50	(1,969)	18	15	28	20	2,8	18	4,8	A 705127

SNAPSIC 105

8 000 h / 105°C

Capacitance (μF)	Dimensions		Can size	Tan δ 100 Hz +20°C max. (%)	ESR 100 Hz +20°C Typic (m Ω)	Z 10 kHz +20°C Typic (m Ω)	II +20°C 5 min. max. (mA)	I \sim 100 Hz		Code		
	\varnothing mm (inches)	H mm (inches)						+40°C max. (A)	+105°C max. (A)			
Rated voltage / Peak voltage: 160/185 V												
100	22	[0,866]	25	[0,984]	1	10	500	250	0,1	2,4	0,6	A 705140
220	25	[0,984]	25	[0,984]	4	10	300	150	0,2	3,4	0,9	A 705141
330	25	[0,984]	30	[1,181]	5	10	200	110	0,3	4,5	1,2	A 705142
470	30	[1,181]	30	[1,181]	9	10	170	120	0,5	5,4	1,4	A 705143
680	30	[1,181]	40	[1,575]	11	10	140	100	0,7	6,7	1,8	A 705144
1000	35	[1,378]	40	[1,575]	16	10	70	50	1,0	10	2,8	A 705145
1500	35	[1,378]	50	[1,969]	18	10	70	50	1,4	11	3,0	A 705146
2200	35	[1,378]	50	[1,969]	18	15	60	40	2,1	12	3,3	A 705147
Rated voltage / Peak voltage: 200/230 V												
150	25	[0,984]	25	[0,984]	4	10	500	300	0,2	2,6	0,7	A 705152
220	22	[0,866]	30	[1,181]	2	10	240	150	0,3	3,8	1,0	A 705151
330	25	[0,984]	30	[1,181]	5	10	200	130	0,4	4,4	1,2	A 705153
470	25	[0,984]	40	[1,575]	6	10	140	80	0,6	6	1,6	A 705154
560	25	[0,984]	40	[1,575]	6	10	130	90	0,7	6,3	1,7	A 705158
680	30	[1,181]	40	[1,575]	11	10	100	70	0,8	7,9	2,1	A 705155
1000	35	[1,378]	40	[1,575]	16	10	90	60	1,2	9,2	2,4	A 705156
1500	35	[1,378]	50	[1,969]	18	10	70	50	1,8	11	3,0	A 705157
1800	35	[1,378]	50	[1,969]	18	11	65	45	2,2	12	3,2	A 705159
Rated voltage / Peak voltage: 250/290 V												
150	22	[0,866]	30	[1,181]	2	10	700	500	0,2	2,2	0,6	A 705163
220	22	[0,866]	40	[1,575]	3	10	450	280	0,3	3,1	0,8	A 705160
330	25	[0,984]	40	[1,575]	6	10	280	180	0,5	4,3	1,1	A 705164
470	30	[1,181]	40	[1,575]	11	10	210	150	0,7	5,5	1,5	A 705161
680	35	[1,378]	40	[1,575]	16	10	140	110	1,0	7,3	2,0	A 705165
1000	35	[1,378]	50	[1,969]	18	11	110	75	1,5	9,1	2,4	A 705166
Rated voltage / Peak voltage: 350/385 V												
68	25	[0,984]	25	[0,984]	4	10	650	340	0,1	2,1	0,6	A 705180
100	25	[0,984]	30	[1,181]	5	10	450	280	0,2	3	0,8	A 705181
150	30	[1,181]	30	[1,181]	9	10	360	240	0,3	3,7	1,0	A 705182
220	30	[1,181]	30	[1,181]	9	10	340	220	0,5	3,8	1,0	A 705185
330	30	[1,181]	40	[1,575]	11	10	210	150	0,7	5,5	1,5	A 705186
470	35	[1,378]	40	[1,575]	16	10	140	115	1,0	7,3	2,0	A 705187
560	35	[1,378]	40	[1,575]	16	10	130	105	1,2	7,6	2,0	A 705189
680	35	[1,378]	50	[1,969]	18	10	120	100	1,4	8,7	2,3	A 705188
Rated voltage / Peak voltage: 400/450 V												
68	22	[0,866]	30	[1,181]	2	10	1000	700	0,7	1,9	0,5	A 705200
100	22	[0,866]	40	[1,575]	3	10	700	450	0,8	2,5	0,7	A 705201
100	25	[0,984]	25	[0,984]	4	10	1100	800	0,8	1,8	0,5	A 705211
150	22	[0,866]	40	[1,575]	3	10	550	350	1,0	2,8	0,8	A 705210
150	30	[1,181]	30	[1,181]	9	10	550	350	1,0	3	0,8	A 705214
220	30	[1,181]	40	[1,575]	11	10	300	210	1,2	4,6	1,2	A 705202
220	35	[1,378]	30	[1,181]	14	10	360	260	1,2	4,1	1,1	A 705203
330	30	[1,181]	40	[1,575]	11	12	300	200	1,5	4,6	1,2	A 705212
330	35	[1,378]	35	[1,378]	15	12	290	200	1,5	4,8	1,3	A 705207
470	35	[1,378]	35	[1,378]	15	12	260	170	1,8	5,1	1,4	A 705215
470	35	[1,378]	40	[1,575]	16	12	180	120	1,8	6,4	1,7	A 705216
470	35	[1,378]	45	[1,772]	17	12	180	130	1,8	6,8	1,8	A 705208
560	35	[1,378]	50	[1,969]	18	12	140	100	1,9	8	2,1	A 705209
680	35	[1,378]	50	[1,969]	18	12	130	100	2,1	8,4	2,2	A 705213
Rated voltage / Peak voltage: 450/500 V												
47	25	[0,984]	25	[0,984]	4	10	1500	1100	0,6	1,8	0,5	A 705220
68	22	[0,866]	30	[1,181]	2	10	1100	1000	0,7	1,8	0,5	A 705227
100	22	[0,866]	40	[1,575]	3	10	1000	800	0,8	2,3	0,6	A 705221
100	25	[0,984]	30	[1,181]	5	10	1100	900	0,8	1,9	0,5	A 705230
150	25	[0,984]	40	[1,575]	6	10	650	450	1,0	2,8	0,7	A 705228
220	30	[1,181]	40	[1,575]	11	10	450	350	1,3	3,8	1,0	A 705225
220	35	[1,378]	35	[1,378]	15	10	420	330	1,3	4	1,1	A 705226
330	35	[1,378]	40	[1,575]	16	10	360	260	1,5	4,5	1,2	A 705229
330	35	[1,378]	50	[1,969]	18	10	290	200	1,5	5,6	1,5	A 705223
470	35	[1,378]	50	[1,969]	18	10	200	130	1,8	6,7	1,8	A 705224

SNAPIC 105

8 000 h / 105°C

Capacitance (μF)	Dimensions		Can size	Tan δ 100 Hz +20°C max. (%)	ESR 100 Hz +20°C Typic ($\text{m}\Omega$)	Z 10 kHz +20°C Typic ($\text{m}\Omega$)	II +20°C 5 min. max. (mA)	I \sim 100 Hz		Code
	\emptyset mm (inches)	H mm (inches)						+40°C max. (A)	+105°C max. (A)	
Rated voltage / Peak voltage: 500/550 V										
22	22 (0,866)	30 (1,181)	2	10	3500	2200	0,4	1,1	0,3	A 705240
33	22 (0,866)	30 (1,181)	2	10	2400	1500	0,5	1,2	0,3	A 705245
47	25 (0,984)	40 (1,575)	6	10	1600	1100	0,6	1,9	0,5	A 705241
68	25 (0,984)	40 (1,575)	6	10	1200	900	0,7	2,1	0,6	A 705246
100	30 (1,181)	40 (1,575)	11	10	720	470	0,9	3,4	0,9	A 705247
150	35 (1,378)	40 (1,575)	16	10	480	310	1,1	4	1,1	A 705248
220	35 (1,378)	50 (1,969)	18	10	380	260	1,4	4,7	1,3	A 705249

EXPECTED LIFE

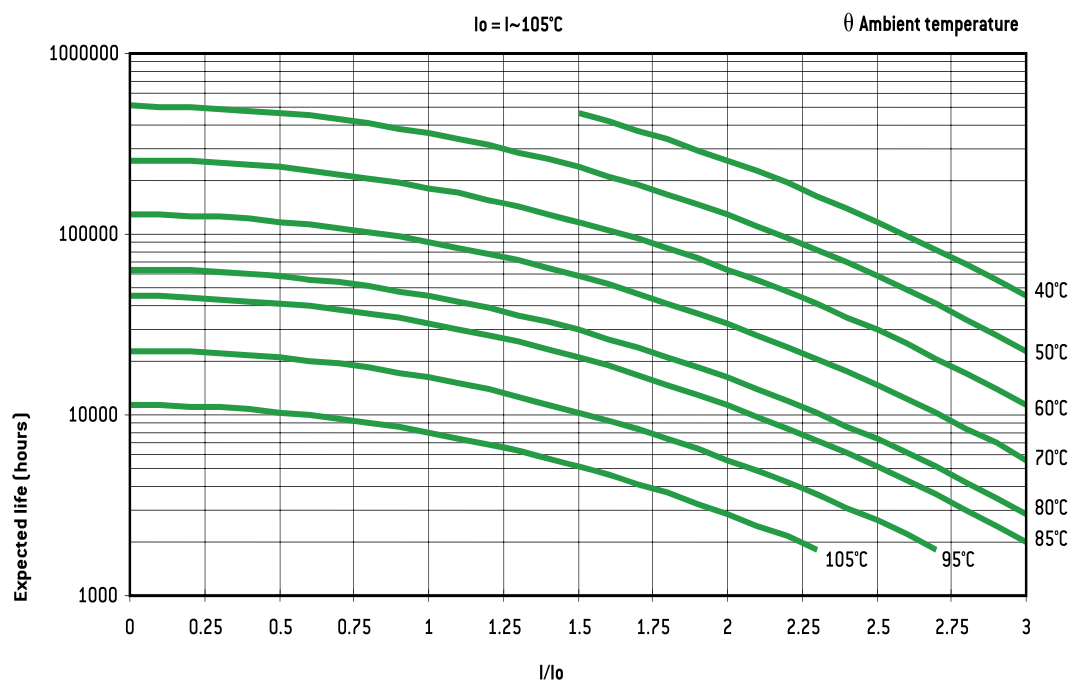
as a function of temperature and ripple current

PERMISSIBLE RIPPLE CURRENT I (R.M.S. VALUE)

versus frequency f:

I \sim : permissible r.m.s. current at 100 Hz

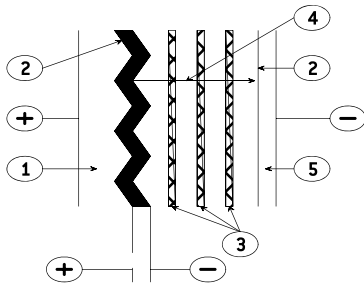
f (Hz)	50	100	300	600	1 000	10 000	$\geq 50 000$
I	0,8 x I \sim	I \sim	1,2 x I \sim	1,3 x I \sim	1,35 x I \sim	1,5 x I \sim	1,6 x I \sim



General technical data

1. BASIC CONSTRUCTION

Structure of an electrolytic aluminum capacitor is shown hereunder:



1. Anode: aluminum foil
2. Dielectric: aluminum oxide
3. Papers spacers impregnated with electrolyte
4. Ionic conduction assumed by electrolyte
5. Cathode: aluminum foil

The positive plate is an etched aluminum foil covered with alumina which is the dielectric of the capacitor.

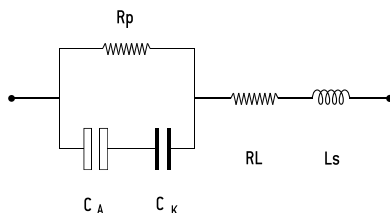
The negative plate is constituted by a second aluminum foil which serves as a current supply, and by electrolyte-impregnated papers layers.

The metal used for anode is a $\geq 99,98$ % grade aluminum.

The dielectric has a thickness of $13 \text{ \AA} / \text{V}$.

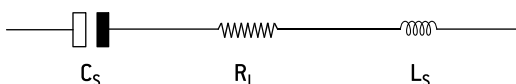
The aluminum used for the cathode is a ≥ 98 % grade aluminum covered with a dielectric layer with a thickness of about 40 \AA .

2. DIAGRAM OF THE EQUIVALENT CIRCUIT



- C_A = Capacitance of the anode
- C_K = Capacitance of the cathode
- R_p = Parallel resistance due to the aluminum oxide film.
- R_L = Series resistance of connections, plates and impregnated spacer.
- L_s = Inductance of winding and connections.

A standard simplified diagram is.



C_s is the series capacitance of both anode and cathode capacitances. Electrolytic aluminum capacitors are naturally polarized because of the insulating film on the anode. Given the very thin aluminum oxide layer, a reversed voltage should not exceed 1.5 V when there is energy supply.

Short duration reverse voltages can be absorbed by special construction, second anode replacing the former cathode.

3. CAPACITORS MARKING

3.1. ARTICLE CODE (ON EACH PACKAGING)

A followed by 6 figures number. First 3 positions are specific of the range. (Ex. A 745xxx for a FELSIC 85 BD)

140 FELSIC in bank	741 FELSIC 125 FRS BD (ex 731)
701 PRORELSIC 125	742 PRORELSIC 105 TFRS
703 PRORELSIC 125	743 PRORELSIC 105 TFRS
704 SNAPSIC	744 FELSIC 85 BC
705 SNAPSIC 105	FELSIC 85 LP
706 FELSIC HP BC – BD	745 FELSIC 85 BD
708 PRORELSIC 145	746 FELSIC 85 M BC
710 CUBISIC	747 FELSIC 85 M BD
711 PROMISIC 031	748 SICAL CO 42 - SICAL
712 CUBISIC LP	749 SICAL CO 42 - SICAL
713 SNAPSIC 105 LP	750 CUBISIC 125
714 SNAPSIC 4P	756 FELSIC 105 BC
715 SNAPSIC 105 4P	FELSIC 105 LP
716 SNAPSIC HV	757 FELSIC 105 BD
717 SNAPSIC HC	760 FELSIC HC BC
718 SNAPSIC 125	761 FELSIC HC BD
721 RELSIC 033	762 FELSIC 105 TFRS BC
722 CI FRS	763 FELSIC 105 TFRS BD
723 CI FRS	764 FELSIC HV BC
728 FELSIC 039 (ex 727)	765 FELSIC HV BD
FELSIC DI	775 VACSIC
738 FELSIC 037 (ex 737)	774 VACSIC 150
740 FELSIC 125 FRS BC (ex 731)	776 ALSIC 20G
	ALSIC 145 20G

In FELSIC ranges, article code without first letter A, is printed on each capacitor.

a Figure 9 in fourth position shows a special product.

3.2. BATCH (ON EACH CAPACITOR).

3 figures or 6 figures

3.3. DATE (ON EACH CAPACITOR IF APPLICABLE)

4 figures (year-week)

4. ELECTRICAL CHARACTERISTICS

4.1. RATED CAPACITANCE C_R

The rated capacitance is defined at 100 Hz and at ambient temperature.

4.2. RATED VOLTAGE U_R

U_R is the maximum DC voltage which may be applied in continuous operation.

When applying a superimposed alternating voltage, the peak value of the resulting waveform should not exceed the rated voltage.

4.3. PEAK VOLTAGE U_p

U_p is the maximum repetitive voltage which can be applied within short periods.

Defined in CECC 30 300 and IEC 60 384-4:

1000 cycles of 30 s charge followed by a no load period of 5 min. 30 s with upper category temperature.

$$U_p \leq 1,15 U_R (U_R \leq 315 \text{ V})$$

$$U_p \leq 1,10 U_R (U_R > 315 \text{ V})$$

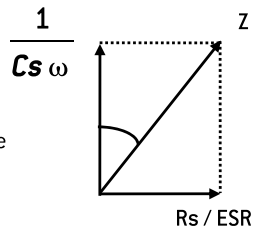
General technical data

4.4. DISSIPATION FACTOR TANδ

The dissipation or loss factor is defined by its tangent $\text{Tan}\delta$

$$\text{Tg}\delta = R_s C_s \omega$$

$$(\omega = 2\pi F)$$



ESR Capacitor Equivalent Series Resistance

Cs Capacitor capacitance

F Frequency (100 Hz)

Z Capacitor impedance

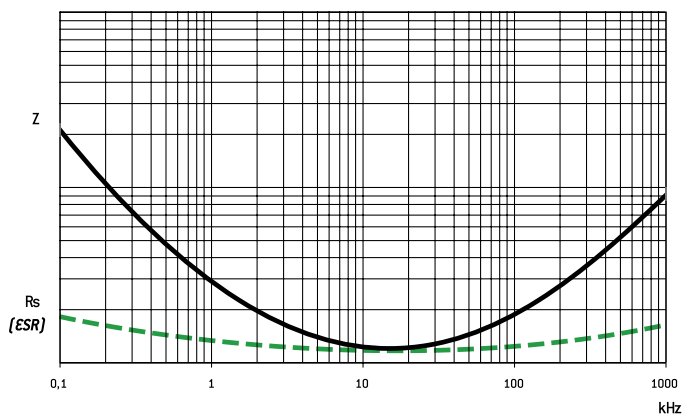
4.5. EQUIVALENT SERIES RESISTANCE ESR

The relation between ESR and dissipation factor $\text{Tan}\delta$ is given in § 4.4.

4.6. IMPEDANCE Z - INDUCTANCE L

The impedance is given by:

$$Z = \sqrt{R^2 + \left[L\omega - \frac{1}{C\omega}\right]^2}$$



L inductance. Generally $L = 5$ to 20 nH

Z and ESR as function of frequency typically follows the chart:

4.7. PERMISSIBLE RIPPLE CURRENT (I r.m.s.) I~

The current is defined at the maximum climatic category and at 100 Hz. It is the root mean square value r.m.s. The value I_0 is the rated value for calculations of expected life up to $3 I_0$.

4.8. LEAKAGE CURRENT II

I_l is measured at 20°C after a 5 min. polarization under rated voltage.

For C_R in μF and U_R in V:

$I_l \leq 0,01 C_R U_R$ or $1 \mu\text{A}^*$

when $C_R U_R \leq 1000 \mu\text{C}$

$I_l \leq 0,006 C_R U_R + 4 \mu\text{A}$

when $C_R U_R > 1000 \mu\text{C}$

For $U_R > 350 \text{V}_{\text{DC}}$ it can be specified:

with $K = 4, 6$ or 8

or

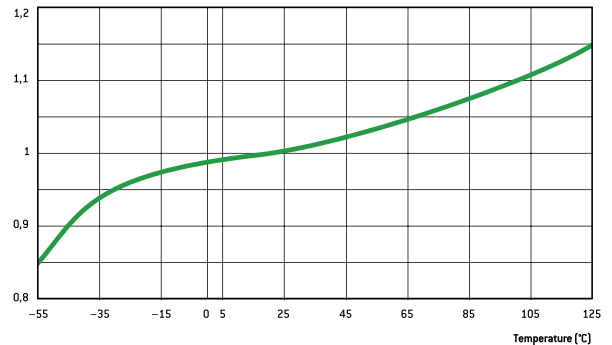
$I_l \leq 0,3 [C_R U_R]^{0,7} + 4 \mu\text{A}$ (CECC 30 300)

* Whichever is the greater

4.9. CHARACTERISTICS

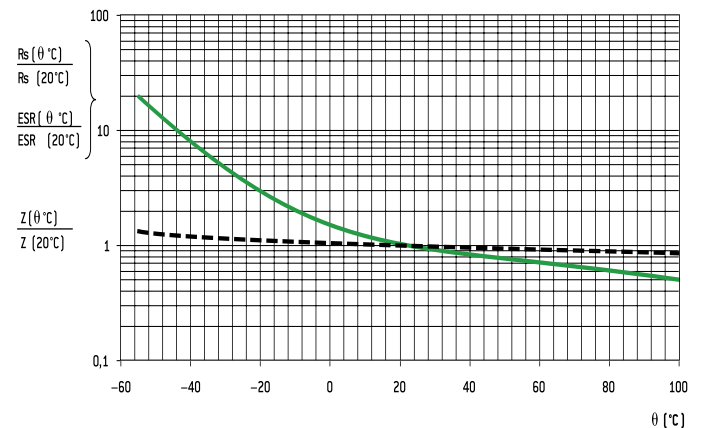
Versus temperature (typical values).

4.9.1. Capacitance drift



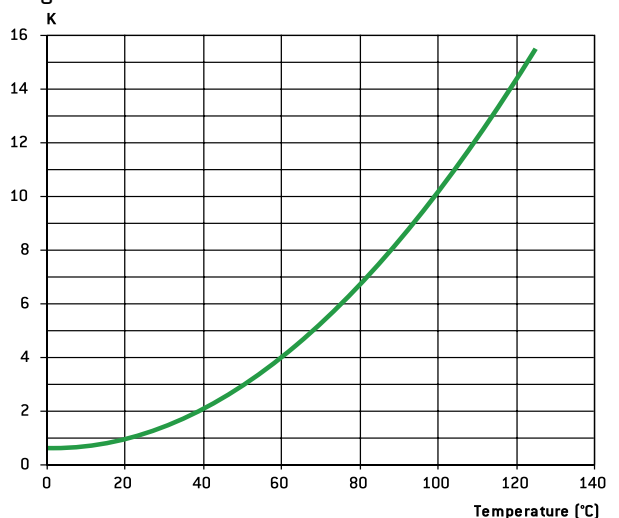
Versus temperature

4.9.2. ESR and Z drifts at 100 Hz



Versus temperature

4.9.3 Leakage current drift



Versus temperature

General technical data

5. SPECIFICATION TO APPLY

Electrolytic aluminum capacitors are defined in:

- NF and UTE French national standard
- CECC European specifications
- IEC international specifications

Quality insurance procedures are described in these specifications.

	French	European	International
Generic specification Fixed capacitors	NF C 83 100	CECC 30 000 EN 130 000	IEC 60 384 -1 QC 300 000
Sectional specification Electrolytic aluminum capacitors	NF C 83 110	CECC 30 300	IEC 60 384 - 4 C 300 300
Blank deta II specification - Electrolytic aluminum capacitors with non solid electrolyte.	UTE 83 110	CECC 30 301	IEC 60 384 - 4 -1 QC 300 301
Blank deta II specifications	CECC 30 301- 017 to CECC 30 301- 062 C0 31 to C0 55	CECC 30 301- 017 to CECC 30 301- 062 CECC 30 301- 802 to CECC 30 301- 811	

6. ENDURANCE TESTS / LIFE TIME

6.1. STANDARD ENDURANCE TEST

at max category temperature:

Standard endurance tests do not exceed 2000 hours at 125°C. However,

Temperature	Endurance test			
	Grade I - Long life			Grade II - General purpose
	10 000 h	5 000 h	2 000 h	1 000 h
125°C			•	
105°C		•	•	•
85°C	•	•	•	•

present EXXELIA technologies concerning liquid electrolytes have led to endurance tests up to 5000 hours at 125°C (PRORELSIC 125 - FELSIC 125 RS) and even 20000 hours at 125°C (PRORELSIC 145 - ALSIC 145)

6.2. PERFORMANCE REQUIREMENTS ON STANDARD ENDURANCE TESTS.

Permissible capacitance drift $\Delta C/C$ (%)

Permissible increase factors on $\tan\delta$, ESR, Z and II initial values

(1) $\tan\delta$ or ESR: for initial value, take standard value.

U_R	Endurance test			
	Grade I			Grade II
	10 000 h	5 000 h	2 000 h	1 000 h
6,3 V			+15 -30	+25 -40
10 V - 35 V	+15 -20	±15	±15	±30
40 V - 160 V	±15	±15	±15	±30
> 160 V	±15	±10	±10	±15

	Endurance test			
	Grade I			Grade II
	10 000 h	5 000 h	2 000 h	1 000 h
$\tan\delta$ or ESR [1]	1,5	1,3	1,3	1,5
Z [2]	3	2	2	3
II	Standard values			

[2] Z: for initial value, take specified value [see data sheet].

Specific requirements can be taken into consideration with regards to initial values of dissipation factor or equivalent series resistance and impedance.

6.3. FAILURE CRITERIA FOR ELECTROLYTIC CAPACITORS.

Failure criteria are defined in CECC 30 301

- Non measurable defaults leading to complete failure.
- Measurable defaults leading to adjustment losses of the load circuit (failure due to variations).

6.3.1. Non measurable defaults.

They might be summed up as:

- Open circuit
- Short circuit
- Operation of pressure relief device
- Severely damaged insulation
- Unusable terminations

6.3.2. Measurable defaults.

Variations exceeding the values given below characterize a default.

- Capacitance drift $\Delta C/C$ (%): 3 times the limit for standard endurance testing or 50 % (whichever is the smallest).
- $\tan\delta$ or ESR: 3 times standard max initial values.
- Z: 3 times standard max initial values.
- II: initial limit (under load conditions).

Specific requirements can be taken into consideration with regards to lower drifts.

6.4. INFLUENCE OF MAIN PARAMETER ON OPERATIONAL LIFE.

6.4.1. Temperature.

The capacitors operational life is highly dependent upon its internal temperature Θ_i and therefore upon the ambient temperature and the ripple current.

Knowing ESR and dissipated power values (§ 6.4.3.) one can figure out, the internal temperature rise and then determine the capacitors expected life.

With present high boiling point electrolytes (§ 8.6)

Θ_i max = 125 to 185°C depending on styles.

6.4.2. Ripple current.

The ripple current flowing through the capacitor increase the internal temperature through power dissipation.

Standards define the permissible current at 100 Hz and generally consider a temperature rise of 5 to 10°C of max category temperature.

Current waveforms and frequencies make it difficult to clearly determine the capacitors internal temperature rise, which defines the operationally life.

Experiments confirm following relationship:

$$\Theta_i = \Theta_a + (\Theta_c - \Theta_a) K$$

Where:

- Θ_i = Internal hot spot temperature
- Θ_a = Ambient temperature
- Θ_c = Case temperature
- K = Parameter depending upon case diameter and cooling
 - $\emptyset \geq 51$ k = $2 \pm 0,5$
 - $\emptyset < 51$ k = $1,5 \pm 0,5$ [air cooling - 0,2 m/s]

General technical data

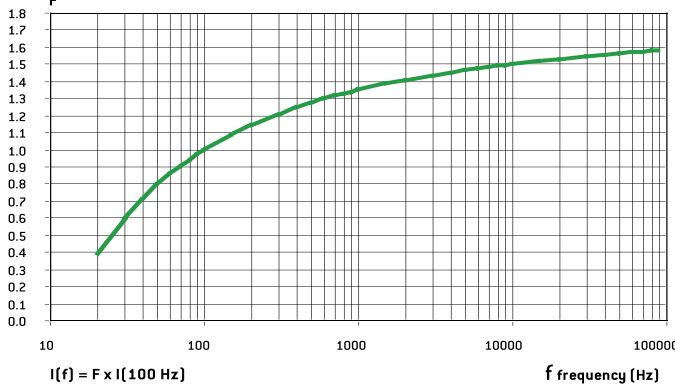
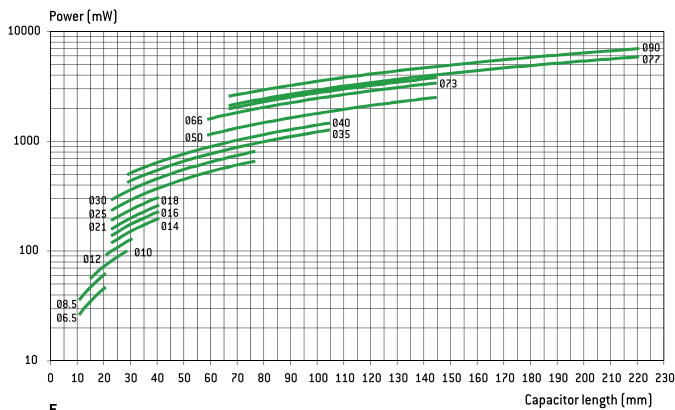
r.m.s. value according to current waveform.

one capacitor diameter

Function	Mean value	R.m.s. value	Function	Mean value	R.m.s. value	Function	Mean value	R.m.s. value
	$A (t_0/T)$	$A \sqrt{t_0/T}$		$A/2$	$A \sqrt{3}$		$2A/\pi$	$A/\sqrt{2}$
	$A (t_1/T)$	$A \sqrt{2t_1/3T}$		$2A/\pi (t_0/T)$	$A \sqrt{t_0/2T}$		$A/2$	$A/\sqrt{3}$
	$A/2 (t_0/T)$	$A \sqrt{t_0/3T}$		$A/2 (t_0/T)$	$A \sqrt{t_0/3T}$		0	A

6.4.3. Dissipated power versus case dimension

For calculations of ripple currents, considering an internal



temperature rise of 10°C

$$P = ESR \cdot I^2$$

P = Dissipated power (mW)

($\Theta_i - \Theta_a = 10^\circ\text{C}$)

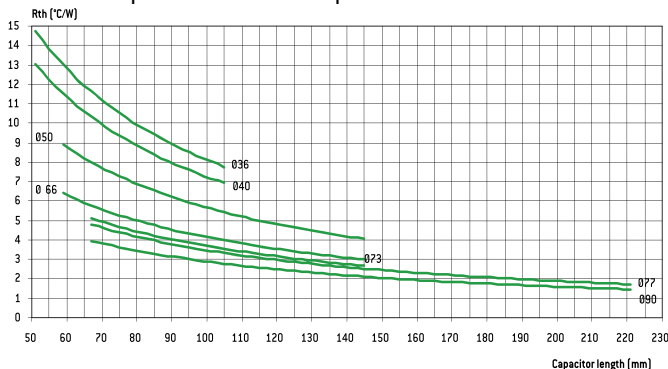
ESR: Equivalent series resistance (100 Hz 20°C)

I: Ripple current (r.m.s. value at 100 Hz)

For different frequencies from 100 Hz, I must be multiplied by the factor F, according to above chart.

6.4.4. Thermal resistance Rth and air cooling

Rth is static thermal resistance (without cooling) between capacitor central hot spot and ambient temperature measured at a distance of



Forced or not cooling air can lead to a significant decrease of these values.

Consequently, r.m.s. ripple current can be increased as a function of air cooling speed:

Ø mm (inches)	≤ 0,5 m/s	1 m/s	2 m/s	3 m/s	≥ 4 m/s
66 - 90	1~	1,1~	1,2~	1,25~	1,3~
36 - 51	1~	1,2~	1,4~	1,45~	1,5~

This parameter shall be applied to one capacitor alone.

For capacitors in bank, ambient temperature must be strictly equal around all capacitors.

6.4.5. Quality guaranty

We guarantee products manufactured during 2 years from the data of shipment against defaults of material and assembly.

This guaranty can be involved by the buyer only if our products are used within normal conditions, always according to the state of the art and taking in account storage conditions.

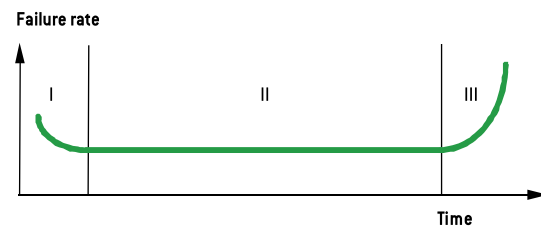
The equipment design should take into consideration possible failures of our capacitors and related effects in order to avoid them.

Guaranty is not applicable for damages occurred by surge voltage, irregular use, polarity inversion or maintenance default.

Guaranty is exclusively limited to the replacement of individual defective capacitors within the terms of delivery. This rule applied to all cases and particularly to any further consequence of failures.

6.4.6. Reliability

Failure rate: _____



$$FR = \frac{\text{Number of components tested} \times \text{test duration}}{\text{Number of failures}}$$

Failure rate is measured in FIT (failure in time = 10^{-9} / hour).

The failure rate is set up during the life time of the capacitor (phase II)

I. Early failure phase (generally excluded during ageing process).

II. Operational life time of the capacitors

III. End of life

General technical data

Mean time between failures MTBF = 1/FR mesured in years

Range	Failure rate for a failure percentage not exceeding 1% with a confidence level of 60 %
FELSIC 85 >350 V FELSIC HC > 350 V SNAPSIC - SNAPSIC HC > 350 V SNAPSIC 4P > 350 V PROMISIC 031 Ø = 6,5 SICAL CO 42 - SICAL > 350 V	50 FIT - (MTBF = 2280)
FELSIC 037 - 039 FELSIC 85 ≤ 350 V FELSIC HC ≤ 350 V CUBISIC CI FRS SNAPSIC 105 - SNAPSIC 105 4P SNAPSIC 105 LP - SNAPSIC HV SNAPSIC - SNAPSIC 4P ≤ 350 V SNAPSIC HC ≤ 350 V ALSIC IR - ALSIC 145 - ALSIC HV - VACSIC 150 - VACSIC SICAL CO 42 - SICAL ≤ 350 V PRORELSIC 125 Ø = 6,5 RELSIC 033 PROMISIC 031 Ø > 6,5	25 FIT - (MTBF = 4560)
FELSIC 125 FRS - SNAPSIC 125 FELSIC HV - FELSIC 105	10 FIT - (MTBF = 11410)
PRORELSIC 125 Ø > 6,5 PRORELSIC 145	5 FIT - (MTBF = 22820)

Multiplying factor of FR with voltage and temperature

	Temperature (°C)							
	≤ 40	50	60	70	85	105 (1)	125 (1)	145 (1)
Factor	1	1,5	2,3	3,4	6,3	14	32	72

(1) Only for permitted capacitors

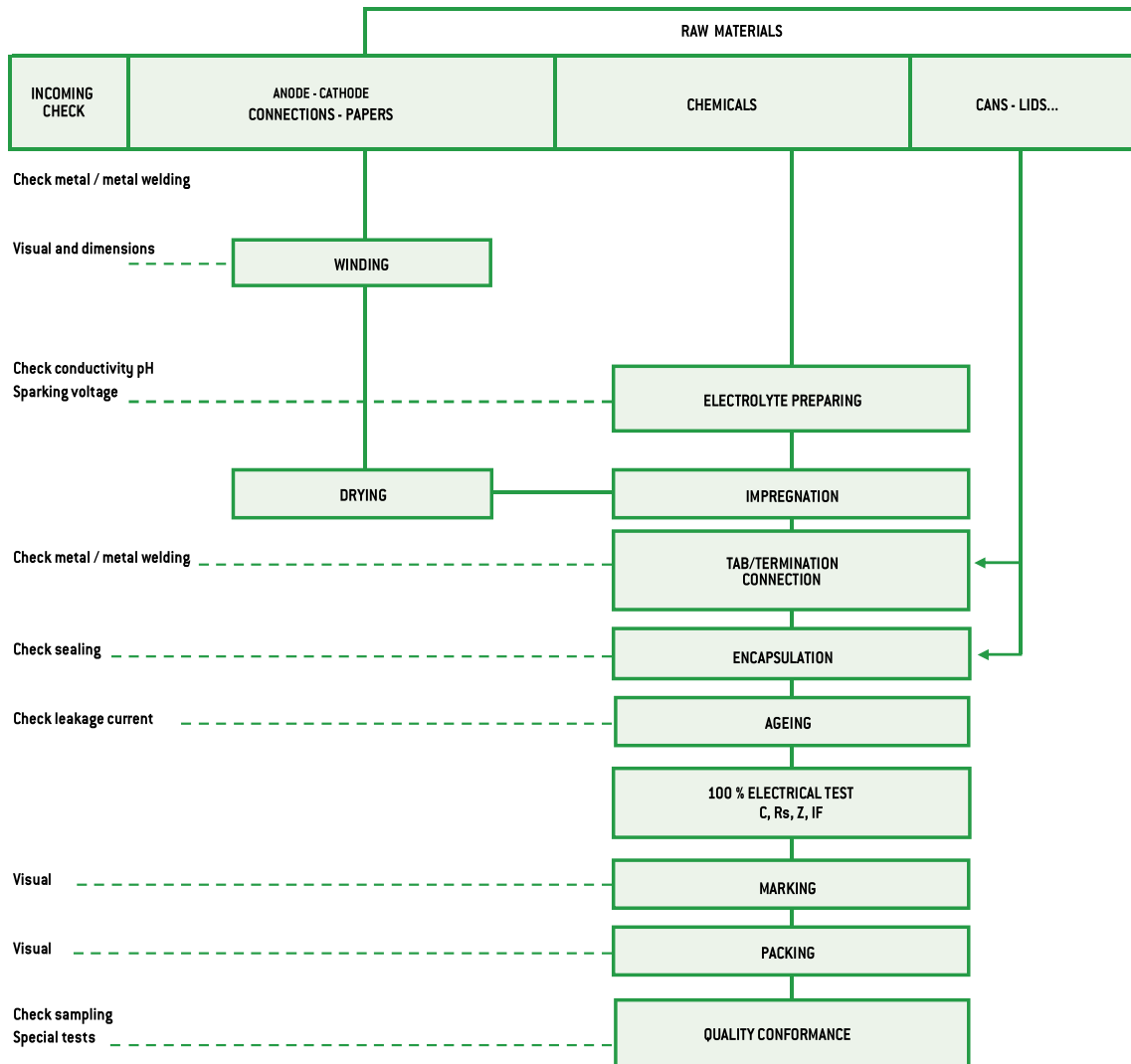
	Percentage of rated voltage (2)		
	100 %	80 %	50 %
Factor	1	0,8	0,5

(2) This voltage has to be constant

Environ-ment	Without vibration		Ground with vibrations or mob Ile			
	Ground, fix Controlled air	Ground, fix	PRORELSIC SNAPSIC 20 g FELSIC 20 g	FELSIC 10 g PROMISIC SICAL Ø ≤14	CI FRS - SNAPSIC RELSIC SICAL Ø >14	ALSIC
Factor	1	2	2	4	6	12

7. MANUFACTURING FLOW CHART

Process controls



General technical data

8. INFORMATION ON APPLICATION

8.1. CLEANING SOLVENTS

Use aliphatic alcohols, such as denatured ethyl alcohol, isopropanol, or butylacetate, or else alkaline diluted solutions. Avoid incompatible solvents (halogenous for example).

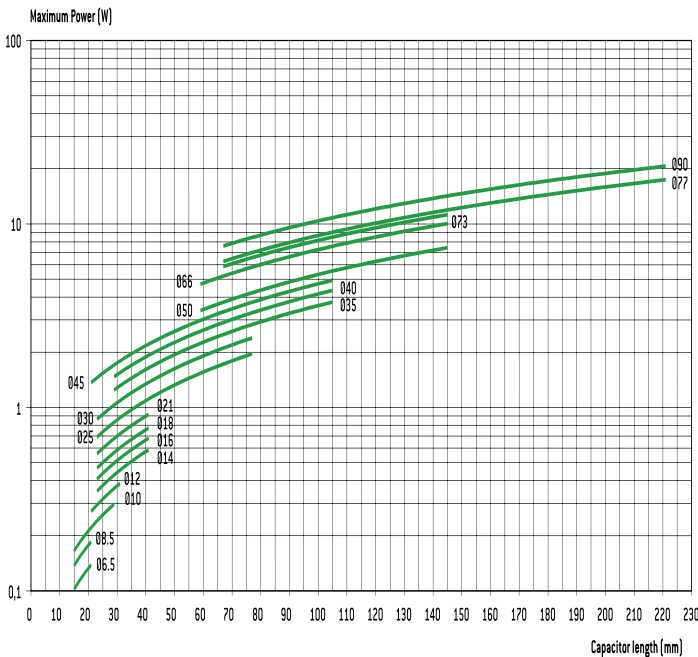
8.2. SHELF LIFE

There is no electrical characteristics variation for long periods of storage except leakage current which can increase.

It is caused by chemical reactions between the dielectric alumina and the electrolyte. These reactions are reversible when switched on. Capacitors can generally be stored at temperature between -5° and $+50^{\circ}\text{C}$ without reforming for the following periods of time:

- For $U_R \leq 100\text{ V}$, storage time: 5 years (up to 10 years under specific conditions)
- For $100\text{ V} < U_R \leq 360\text{ V}$ storage time: 3 years
- For $360\text{ V} < U_R < 500\text{ V}$ storage time: 1 year
- For $U_R \leq 500\text{ V}$, storage time: 6 months

Generally when these periods are overstepped, one hour at rated voltage causes the decrease of leakage current under the specified limits. An other way to avoid this leakage current increase problem is to always limit available power through capacitor during first seconds or minutes after storage or transport, according to the following chart:



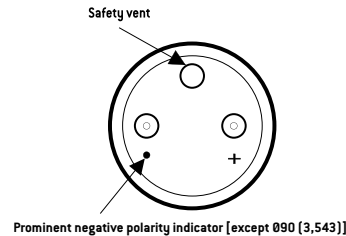
8.3. LOW PRESSURE RESISTANCE

EXXELIA capacitors can be used with ambient low pressure decreasing up to 10 mbar (altitude 28000 m – 92000 feet).

8.4. MOUNTING SCREW TERMINALS CAPACITORS (FELSIC)

Capacitors may be used vertically (terminals on top) or horizontally. When used horizontally, the following position in relation to the safety vent, is recommended:

Mounting capacitors in series may be used for operating voltage exceeding U_R . See FELSIC in bank.



8.5. MOUNTING SOLDER TYPE CAPACITORS.

They may be used in any position. During mounting, avoid applying excessive force to capacitor pins or wires. There is a risk of damaging internal connections.

After soldering and for the same reasons, do not try to move the capacitor's body.

8.6. ELECTROLYTES: SAFETY RULES.

Electrolytes used in EXXELIA capacitors are manufactured by EXXELIA. Main solvents are generally γ butyrolactone and ethylene glycol, very stable high boiling point solvents. Ionic conductive salts in electrolyte induce a very weak acidity (pH 5 to 7).

8.7. ENVIRONMENT.

In aluminium capacitors with liquid electrolyte there is no component showing a pollution risk, in small amounts, of air or water. EXXELIA is always involved in this security field particularly in using chemicals for electrolyte, without well-known risks.

- Dimethylformamide (DMF) dangerous solvent forbidden in several uses is completely excluded by EXXELIA, since 1990.
- There is no halogen compound such as chlorofluorocarbon (CFC or FCKW in german) or polychlorobiphenyl (PCBPylalene) or pentabromodiphenylether or octabromodiphenylether.

There is neither benzene, toluene or phenyl compound nor explosive such as picric acid, nor asbestos in plastic covers. All the capacitors made by EXXELIA since 1991, can be scrapped or used in raw materials recycling processes without special care in compliance with Community rules.

EXXELIA aluminium capacitors with non-solid electrolyte are particularly suitable for different kinds of environment taking in account severity increasing laws.

European directives 2003/11/EC, 2002/96/EC (WEEE) and 2002/95/EC (RoHS) applies to all EXXELIA capacitors including every solder type, manufactured with pure tin coated pins or wires, since at least January 2006.

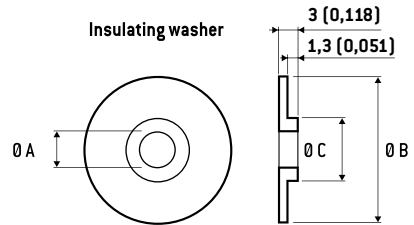
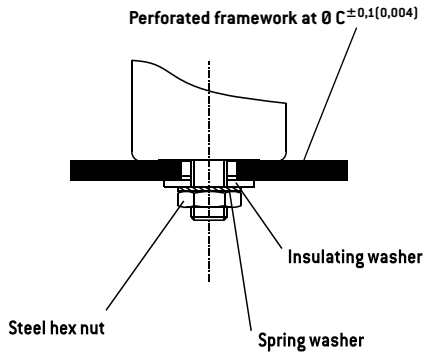
Mounting and insulating parts

STUD FIXING: FELSIC BD

Steel nut, spring washer and insulating washer are delivered loosely with the capacitor.

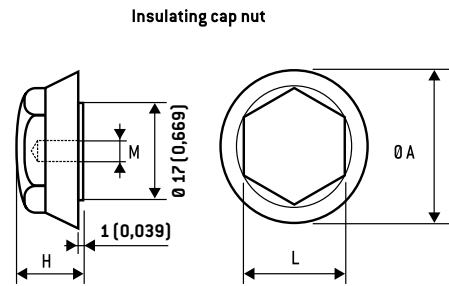
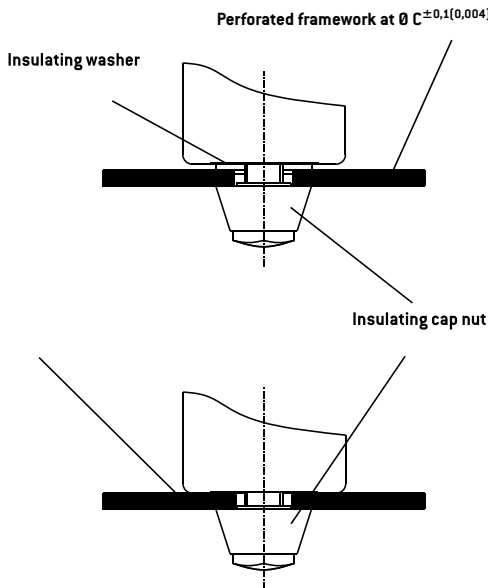
STANDARD MOUNTING WITH:

Insulating washer and steel nut



Ø Capacitor	DIMENSIONS in mm (inches)				
	M	Ø A	Ø B	Ø C	Code
36	8	8,4	25	18,5	A 691060
51 - 77	12	12,5	30	21,5	A 691061
90	12	12,5	35	21,5	A 691062

Insulating plastic nut with or without insulating washer

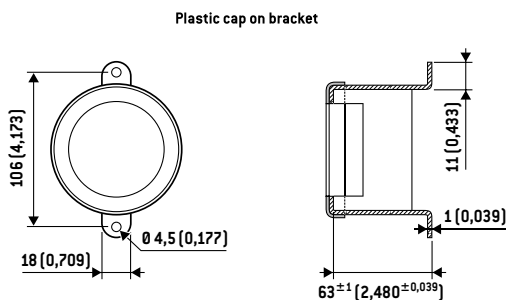


DIMENSIONS in mm (inches)					
M	Ø A	H	L	Max. torque	Code
8 (0,315)	25 (0,984)	15 (0,591)	17 (0,669)	3 Nm	A 691070
12 (0,472)	30 (1,181)	20 (0,787)	19 (0,748)	7 Nm	A 691071

Ring - clip mounting: FELSIC LP

Ring clips shall be ordered separately.

Tightening screws and nuts are supplied loosely.



FELSIC 85 LP FELSIC 105 LP	Code
Metal bracket	A691055
Plastic cap	A691065

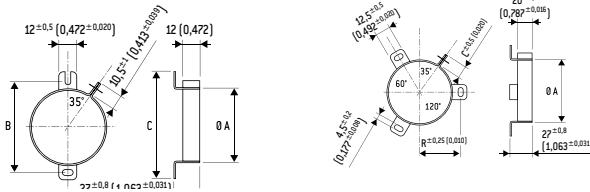
General technical data

Ring - clip mounting: FELSIC BC

Ring clips shall be ordered separately.

Tightening screws and nuts are supplied loosely.

FELSIC BC - Metal ring-clips



Ø A Cap.	B	C	Code	Ø A Cap.	B	C	Code
36	54	63	A 691901	51	33,5	11,8	A 691905
				66	39	10,5	A 691913
				73	44	10,5	A 691914
				77	44,5	10,5	A 691907
				90	53,3	11,8	A 691915

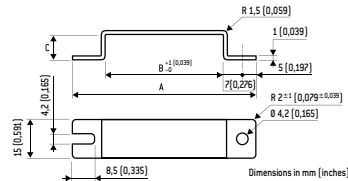
Stirrup mounting: CUBISIC LP

Stirrups shall be ordered separately.

Tightening screws and nuts are supplied loosely

Salt mist endurance of screws and mounting accessories:
minimum 96 h (IEC 600 68-2-11)

CUBISIC /CUBISIC LP - Metal bracket



Ø A Cap.	A	B	C	Code
45x12 (1,772x0,472)	69 (2,717)	45 (1,772)	10 (0,394)	A 691057
35x16 (1,378x0,630)	59 (2,323)	35 (1,378)	14 (0,551)	A 691059

PACKAGING

1. PACKAGING AND WEIGHT UNITS.

1.1. Capacitor with screw terminals

Can DIMENSIONS in mm (inches)				Unit weight *
Ø	H			(g)
36 (1,417)	47 (1,850)	52 (2,047)	53 (2,087)	70
36 (1,417)	60 (2,362)			79
36 (1,417)	80 (3,150)	81 (3,189)		100
36 (1,417)	104 (4,094)	105 (4,134)		120
51 (2,008)	47 (1,850)			80
51 (2,008)	62 (2,441)	63 (2,480)		105
51 (2,008)	81 (3,189)	82 (3,228)		190
51 (2,008)	104 (4,094)	105 (4,134)		260
51 (2,008)	112 (4,409)			270
51 (2,008)	144 (5,669)			370
66 (2,598)	104 (4,094)	105 (4,134)		430
66 (2,598)	112 (4,409)			460
73 (2,874)	104 (4,094)	112 (4,409)		600
73 (2,874)	144 (5,669)			680
77 (3,031)	104 (4,094)	105 (4,134)		620
77 (3,031)	144 (5,669)	145 (5,709)		860
77 (3,031)	200 (7,874)			1300
77 (3,031)	220 (7,874)	221 (8,701)		1400
90 (3,543)	67 (2,638)			600
90 (3,543)	144 (5,669)	145 (5,709)		1400
90 (3,543)	200 (7,874)			1800

* Unit weight = typical values

Possible variations of = ± 25 % according to different voltage and capacitance.

1.2. Radial solder types

Can dimensions mm (inches)		ALSIC	SNAP-SIC	Can dimensions		AL-SIC	SNAP-SIC
Ø	H	Weight* (g)		Ø	H	Weight* (g)	
10 (0,394)	16 (0,630)	1,8	-	35 (1,378)	30 (1,181)	-	50
12,5 (0,492)	21 (0,827)	4,5	-	35 (1,378)	40 (1,575)	-	50
12,5 (0,492)	24 (0,945)	5	-	35 (1,378)	45 (1,772)	-	52
				35 (1,378)	50 (1,969)	-	60
16 (0,630)	25 (0,984)	8,2	-	35 (1,378)	75 (2,953)	-	95
				35 (1,378)	100 (3,937)	-	125
22 (0,866)	25 (0,984)	-	15	40 (1,575)	40 (1,575)	-	65
22 (0,866)	30 (1,181)	-	17	40 (1,575)	50 (1,969)	-	100
22 (0,866)	40 (1,575)	-	18	40 (1,575)	75 (2,953)	-	130
				40 (1,575)	100 (3,937)	-	170
25 (0,984)	25 (0,984)	-	17	45 (1,772)	21 (0,827)	-	50
25 (0,984)	30 (1,181)	-	20	45 (1,772)	30 (1,181)	-	60
25 (0,984)	35 (1,378)	-	22	45 (1,772)	35 (1,378)	-	73
25 (0,984)	40 (1,575)	-	25	45 (1,772)	45 (1,772)	-	85
25 (0,984)	45 (1,772)	-	28	45 (1,772)	45 (1,772)	-	110
25 (0,984)	50 (1,969)	-	30	45 (1,772)	75 (2,953)	-	180
				45 (1,772)	100 (3,937)	-	240
30 (1,181)	25 (0,984)	-	28				
30 (1,181)	30 (1,181)	-	30				
30 (1,181)	35 (1,378)	-	30				
30 (1,181)	40 (1,575)	-	40				
30 (1,181)	45 (1,772)	-	45				
30 (1,181)	50 (1,969)	-	50				

Can DIMENSIONS in mm (inches)			CUBISIC
I	L	H	weight (g)
35 (1,378)	35 (1,378)	16 (0,630)	30
35 (1,378)	50 (1,969)	16 (0,630)	40
45 (1,772)	35 (1,378)	12 (0,472)	30
45 (1,772)	50 (1,969)	12 (0,472)	45
45 (1,772)	75 (2,953)	12 (0,472)	60

* Unit weight = typical values

Possible variations of = ± 25 % according to different voltage and capacitance.

1.3. Axial types

Can DIMENSIONS in mm (inches)		PRORELSIC RELSIC	PRORELSIC PROMISIC	SICAL CO 42 SICAL
Ø	H	Unit weight * (g)	Unit weight * (g)	Unit weight * (g)
6,5 (0,256)	15 (0,591)	-	1,6	-
6,5 (0,256)	19 (0,748)	-	1,8	1,8
8,5 (0,335)	19 (0,748)	-	2,3	2,3
10 (0,394)	19 (0,748)	-	2,8	2,8
10 (0,394)	25 (0,984)	-	3,5	3,5
10 (0,394)	28 (1,102)	-	3,8	-
12 (0,472)	25 (0,984)	-	5	-
12 (0,472)	30 (1,181)	-	5,4	5,4
14 (0,551)	30 (1,181)	-	6,9	6,9
14 (0,551)	41 (1,614)	-	9,5	-
	30 (1,181)	7,7	-	7,7
18 (0,709)	35 (1,378)	13,6	-	-
18 (0,709)	40 (1,575)	15,3	-	15,3
21 (0,827)	40 (1,575)	19,5	-	19,5
25 (0,984)	40 (1,575)	28	-	28
25 (0,984)	50 (1,969)	35	-	35
25 (0,984)	75 (2,953)	56	-	56

* Unit weight = typical values

Possible variations of = ± 25 % according to different voltage and capacitance.

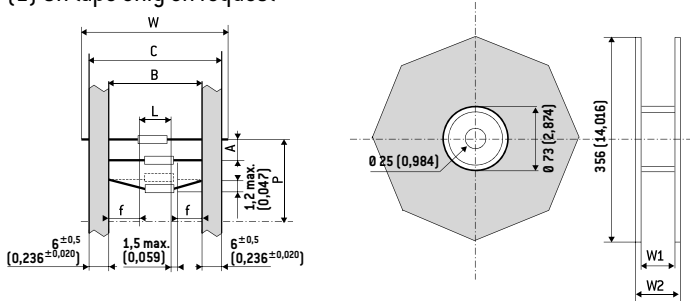
General technical data

2. PACKAGING ON TAPE

2.1. Axial types

Dimensions and tolerance in accordance with IEC 60 286-

(1) On tape only on request



DIMENSIONS in mm (inches)									
D	L max.	B	A	P	C max.	W ₁	W ₂ max.	W	n ⁽²⁾
6,5 (0,256)	20 (0,787)	73 ^{±1,5}	10 ^{±1,5}	± 2 (0,079)	87,5 (3,445)	93 (3,661)	106 (3,661)	85 ^{±1,5}	1000 (39,370)
8,5 (0,335) ⁽¹⁾		(2,874 ^{±0,059})	(0,394 ^{±0,059})					(3,346 ^{±0,059})	750 (29,528)
10 (0,394) ⁽¹⁾	32 (1,260)	73 ^{±1,5}	15 ^{±1,5}	± 3 (0,118)	87,5 (3,445)	93 (3,661)	106 (3,661)	85 ^{±1,5}	400 (15,748)
12 (0,472) ⁽¹⁾		(2,874 ^{±0,059})	(0,591 ^{±0,059})					(3,346 ^{±0,059})	400 (15,748)
14 (0,551) ⁽¹⁾									200 (7,874)

(2) n = number of capacitors per reel.

White positive tape f: > 20 mm (0,787 inches)

P: 10 space