

**FP-29-600**

**Highlights**

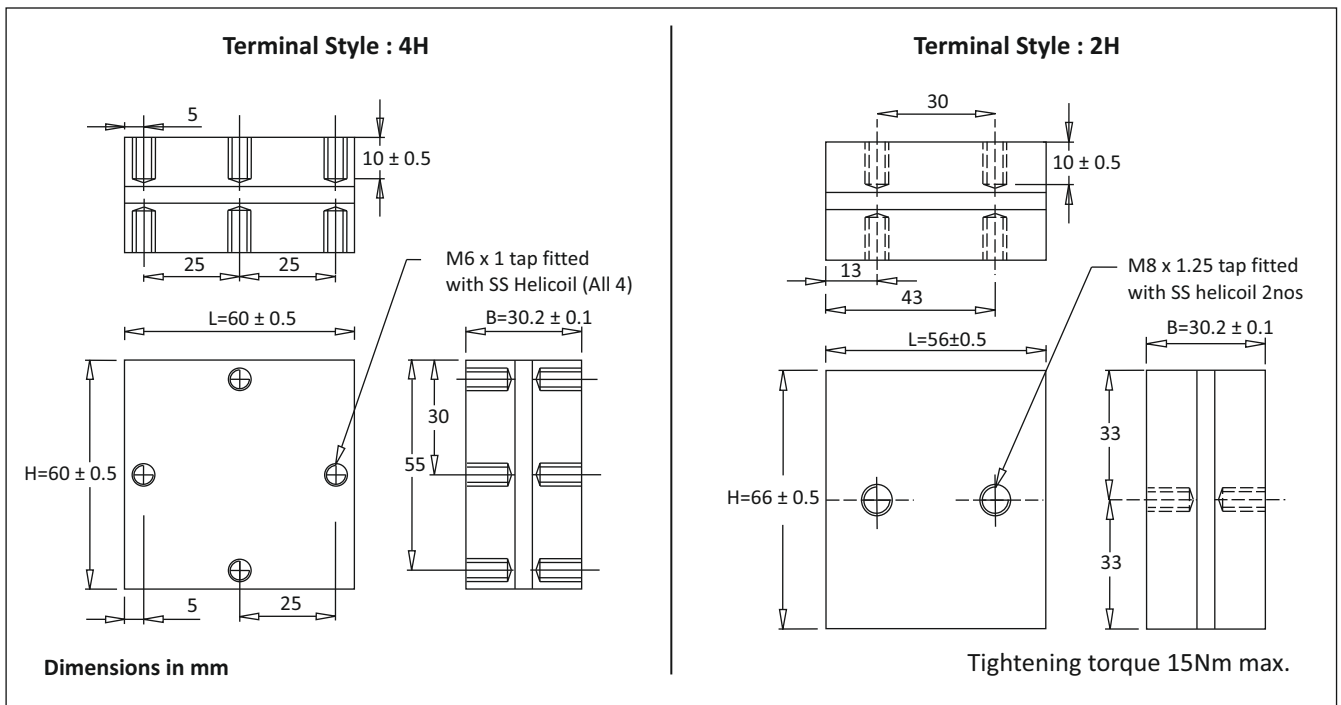
- Conduction cooled
- Polypropylene dielectric
- Self-healing
- Operating frequency up to 1000 KHz
- Maximum operating core temperature 85°C
- Capacitance tolerance ±10%
- Flame retardant UL94 - V0, ROHS compliant



**Standard Capacitor Values**

Rated Voltage Vrms	Nominal capacitance MFD at 1KHz	Max current Irms	Max power Kvar	Frequency KHz	ESR mΩ	Dimensions mm			Case Code	Terminal Style	Ordering Code
						B	H	L			
1000	0.33	600	600	290	1.0	30.2	60	60	U1	4H	SP00U331000BB0U1004HK01
	0.33	600	600	290	1.0	30.2	66	56	U2	2H	SP00U331000BB0U2002HK01
800	0.50	750	600	299	0.9	30.2	60	60	U1	4H	SP00U500800BB0U1004HK01
	0.50	750	600	299	0.9	30.2	66	56	U2	2H	SP00U500800BB0U2002HK01
	0.66	750	600	226	0.8	30.2	60	60	U1	4H	SP00U660800BB0U1004HK01
700	0.66	750	600	226	0.8	30.2	66	56	U2	2H	SP00U660800BB0U2002HK01
	1.33	950	600	148-179	0.3	30.2	60	60	U1	4H	SP01U330700BB0U1004HK01
600	1.33	950	600	148-179	0.3	30.2	66	56	U2	2H	SP01U330700BB0U2002HK01
	2.60	1050	600	101-112	0.3	30.2	60	60	U1	4H	SP02U600600BB0U1004HK01
500	2.60	1050	600	101-112	0.3	30.2	66	56	U2	2H	SP02U600600BB0U2002HK01
	5.00	1200	600	76	0.2	30.2	60	60	U1	4H	SP000050500BB0U1004HK01
	5.00	1200	600	76	0.2	30.2	66	56	U2	2H	SP000050500BB0U2002HK01

**Capacitor Drawing and Terminal Style**



## FP-29-600

### Frequency Derating

—●— Voltage    —■— Current    —▲— Power

