

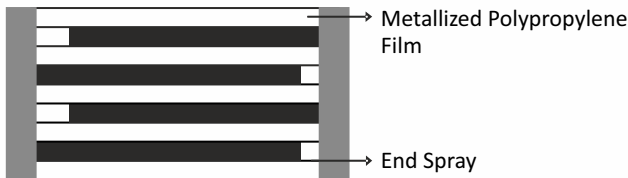
DCL- 41



Highlights

- High RMS current
- Low ESR
- Life Expectancy 100,000 Hours
- Fully encapsulated dry construction
- Flame retardant UL94 - V0, ROHS compliant
- Reference Standard: IEC 61071 and IEC 60068

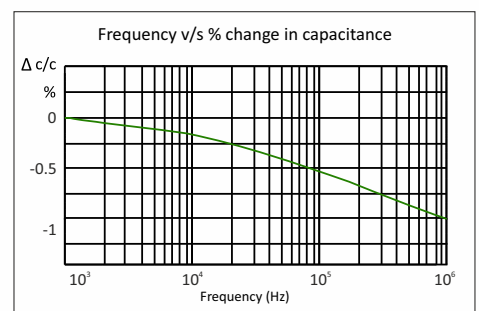
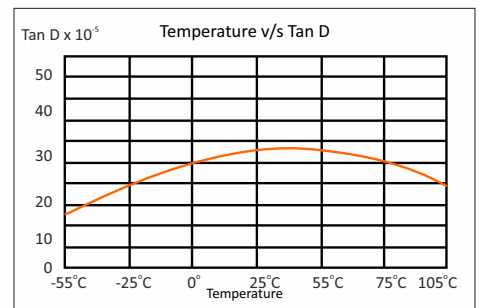
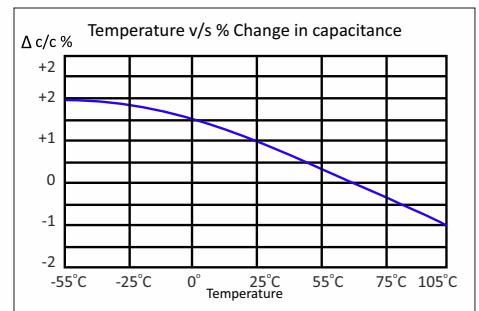
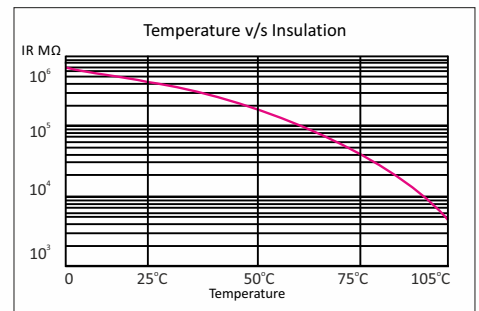
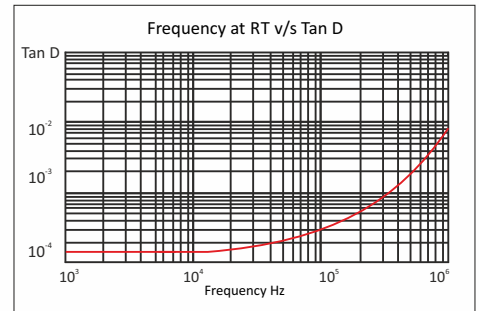
Construction



Applications

DC Link and DC Filter applications in Power converters for

- Uninterruptible power supplies
- Wind power inverters
- Solar power inverters
- Traction and industrial drives.
- Impulse discharge capacitors for magnetizing and welding.



DCL- 41

Technical Specifications

Physical Characteristics

▪ Dielectric material	Polypropylene film
▪ Electrode material	Metallized polypropylene film
▪ Winding construction	Polypropylene film, metallized polypropylene film
▪ Enclosure	Aluminum can with preformed UL 94-V0 plastic top with thermosetting resin-fill
▪ Terminals	Nickel plated brass


Electrical Characteristics

▪ Capacitance range C_N	36 μ F to 7400 μ F
▪ Capacitance Tolerance	K (\pm 10%), J (\pm 5%) on request
▪ Rated Voltage U_N	600 vdc to 3000 vdc
▪ Dissipation factor (Tan δ)	0.0002
▪ Insulation Resistance $M\Omega \times \mu$ F	5,000 S @ 25°C (S = $M\Omega \times \mu$ F)
▪ Dielectric strength between terminals (U_{T-T})	1.5 x rated voltage for 60 secs
▪ Test Voltage Terminal to case (U_{T-C})	Up to 8400 Vac for 2sec at 50 Hz
▪ Operating Temperature (Θ min to Θ max)	-40°C to +85°C
▪ Storage temperature	-40°C to +85°C
▪ Endurance type test	ϕ D 85 and ϕ D100 @ 85°C ϕ D 116 @ 80 °C ϕ D 136 @ 75°C
▪ Life time	> 200000 h
▪ Reference service life	100000 h, Θ hotspot \leq 70°C
▪ Failure rate	50 FIT @ Vndc and + 70 °C
▪ Fire load	40 MJ/Kg
▪ Climatic category	40/85/56 for 75 $\leq\phi$ D \leq 100 40/75/56 for 116 $\leq\phi$ D \leq 136
▪ Maximum Hotspot Temperature	+85°C For diameter 85 $\leq\phi$ D \leq 100 mm +80°C For diameter 100 $\leq\phi$ D \leq 116 mm +75°C For diameter 116 $\leq\phi$ D \leq 136 mm

DCL- 41

Marking on Capacitors

Each capacitor will have the following information printed on it, sequentially:

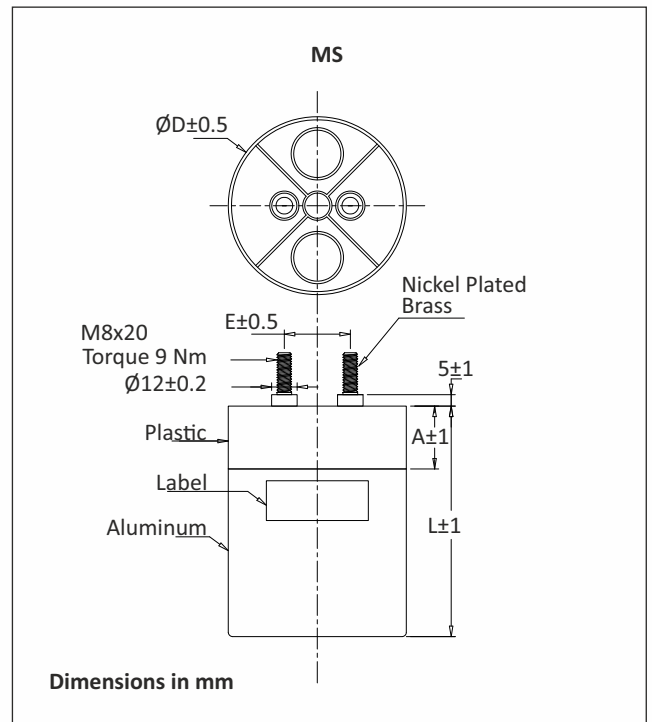
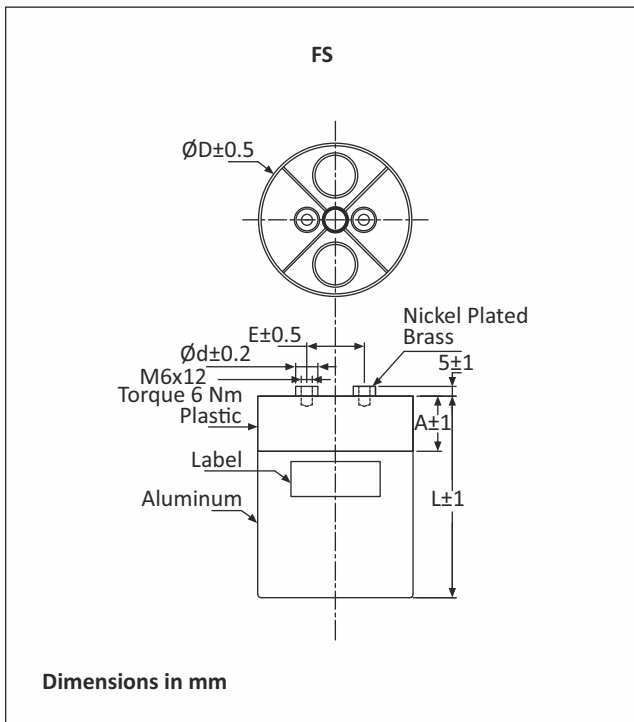
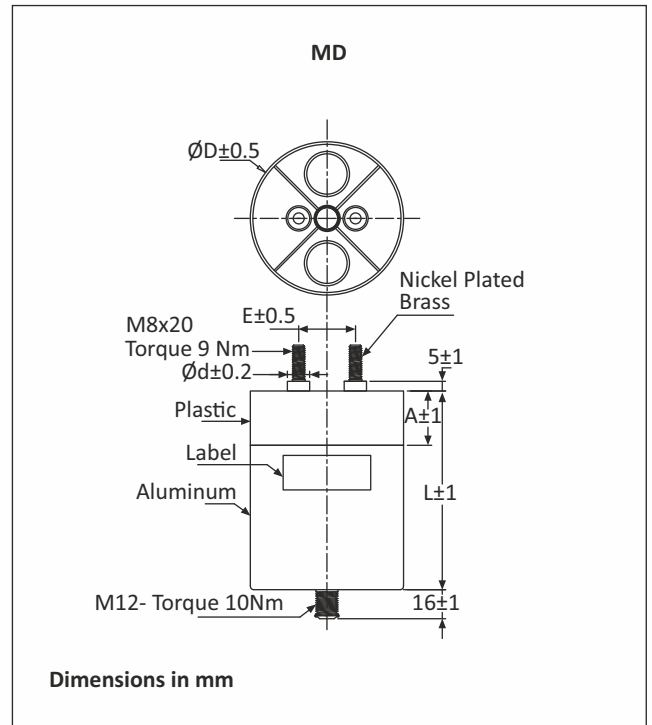
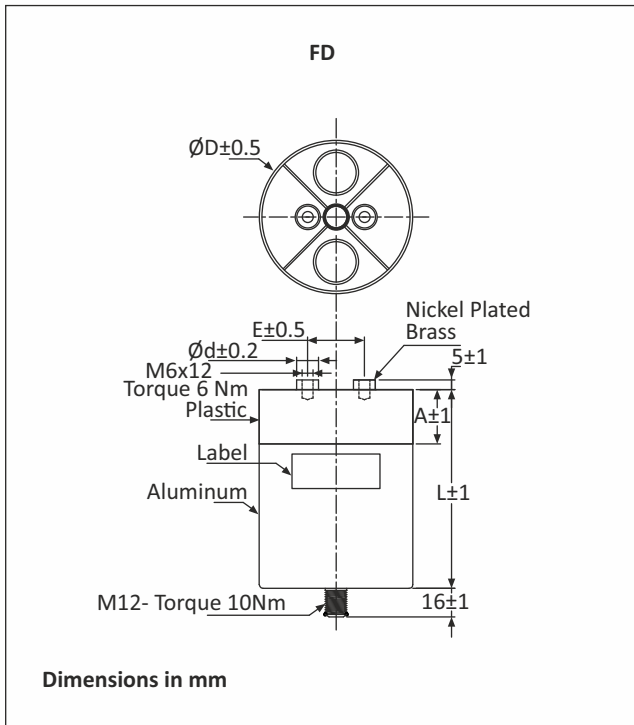
- The Company's symbol  followed by the words ALCON
- The capacitor grade viz DCL-41 and manufacturing date
- The capacitance value (MFD) and capacitance tolerance (%)
- The rated voltage VDC
- Test Voltage Terminal to Case (U_{T-c})
- Temperature range
- Maximum tightening torque (Nm)
- Type of cooling and temperature
- Reference slandered
- Additional data (Warning)
- Part number on non-standard capacitors

The following signs shall be added

- Self-healing capacitor
- Type of protection

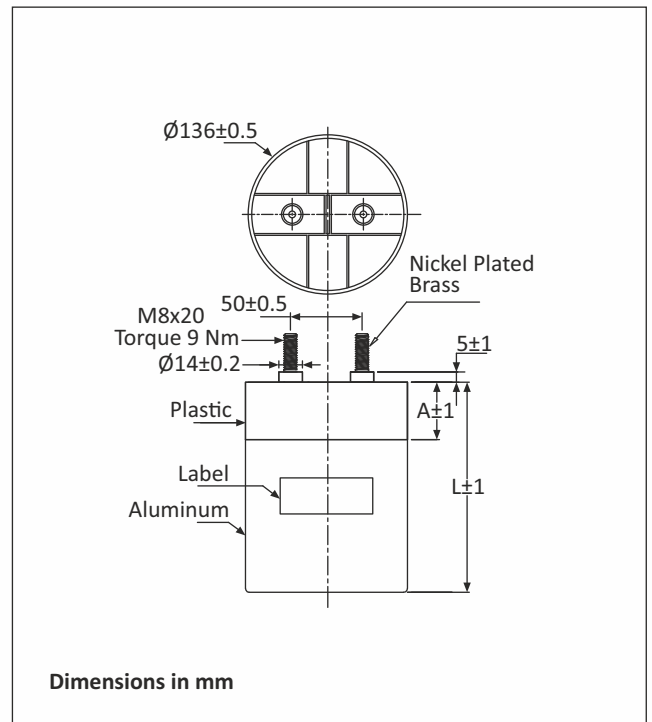
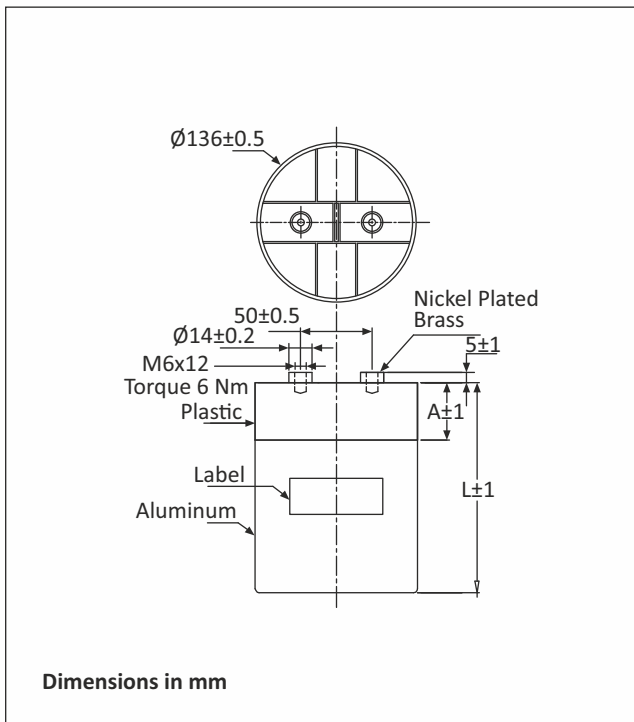
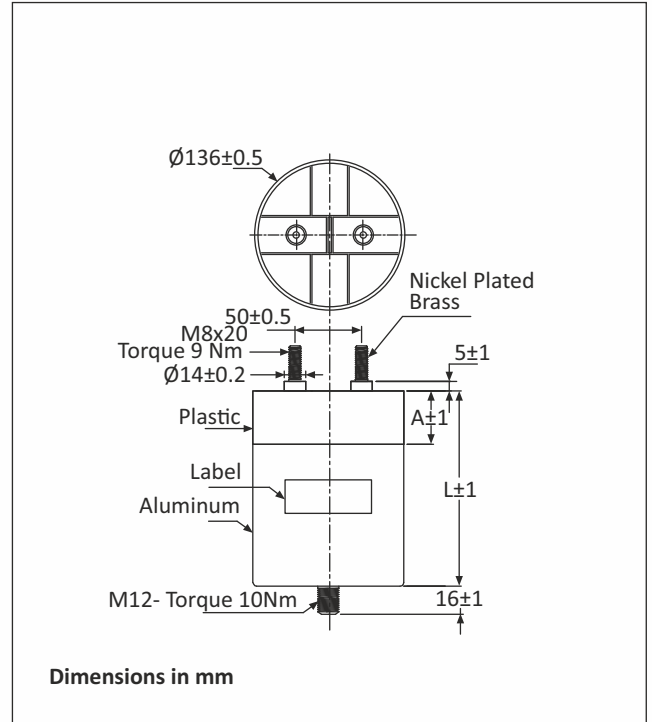
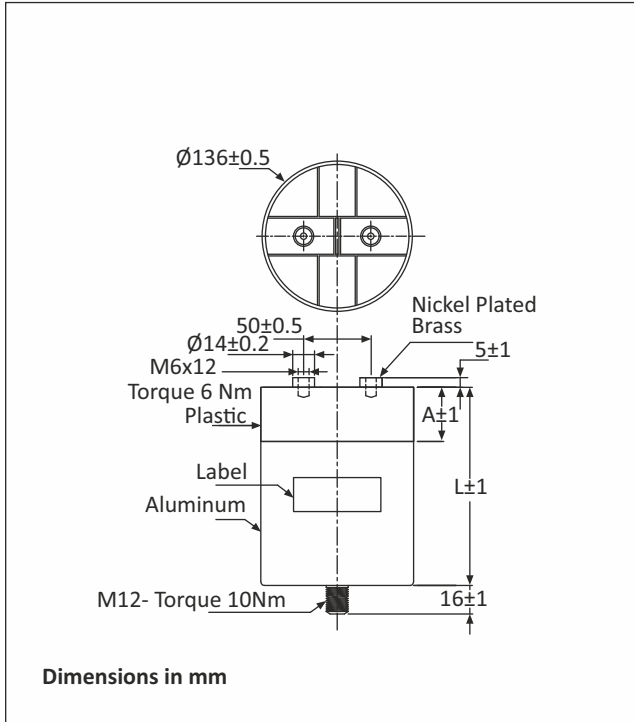
DCL- 41

Capacitor Drawing and Terminal Styles (ϕ D85, ϕ D100 & ϕ D116)



DCL- 41

Capacitor Drawing and Terminal Styles (ϕ D136)



DCL- 41

Capacitor Drawing and Terminal Styles (φD136)

Diameter ($\varnothing D \pm 0.5$) mm	Terminal diameter ($\varnothing d \pm 0.2$) mm	Distance between terminals ($E \pm 0.5$) mm	Plastic Top cover ($A \pm 1$) mm
85	12	32	30
100	14	50	30
116	14	50	45
136	14	50	42.5

Terminals			
Terminal	Terminal type	Depth (mm)	Torque (Nm)
FD	M6	12	6
MD	M8	20	9
FS	M6	12	6
MS	M8	20	9
Bottom stud	M12	16	10
Other terminal configuration available on request			

DCL- 41

Standard Capacitor Values

U _N = 600V		U _r =100V		U _s =900V		U _{r-r} =900VDC		U _{r-c} =3300 V AC/2s			
C _N	R _s	R _{th}	I _{max}	I _{peak}	I _{surge}	E _n	L	DXL	Terminal Style	Mass	Order code
(μ F)	(m Ω)	(K/W)	(A)	(KA)	(KA)	(W*sec)	(nH)	(mm)		(Kg)	
270	1.2	7.3	40	3.5	10.5	48.6	40	85 X78	FD/MD/FS/MS	0.5	SD002700600AR0Y8----K01
400	2	5.7	80	3.4	10.2	72.0	30	85 X100	FD/MD/FS/MS	0.4	SD004000600AR0S1----K01
380	1.8	6	40	3.6	10.8	68.4	30	85 X95	FD/MD/FS/MS	0.6	SD003800600AR0YA----K01
460	1.9	5.4	40	3.7	11.1	82.8	40	85X105	FD/MD/FS/MS	0.65	SD004600600AR0S1----K01
500	2.8	4.7	40	3.3	9.9	90.0	35	85 X120	FD/MD/FS/MS	0.9	SD005000600AR0SC----K01
550	2.9	4.6	40	3.4	10.2	99.0	40	85X125	FD/MD/FS/MS	0.75	SD005500600AR0S2----K01
560	2.8	4.4	40	3.4	10.2	100.8	40	85 X130	FD/MD/FS/MS	0.7	SD005600600AR0SD----K01
580	1.5	4.6	40	4.7	14.1	104.4	40	100X105	FD/MD/FS/MS	0.84	SD005800600AR0X1----K01
600	3.6	4.1	40	3.3	9.9	108.0	40	85X140	FD/MD/FS/MS	0.71	SD006000600AR0S3----K01
650	0.9	3.9	80	6.7	20.1	117.0	40	85 X146	FD/MD/FS/MS	0.6	SD006500600AR0SF----K01
660	0.9	3.8	60	6.5	19.5	118.8	40	85X150	FD/MD/FS/MS	0.9	SD006600600AR0S4----K01
680	0.8	3.8	100	6.4	19.2	122.4	40	85 X150	FD/MD/FS/MS	0.8	SD006800600AR0S4----K01
700	1.1	3.6	60	6.4	19.2	126.0	60	85X160	FD/MD/FS/MS	0.96	SD007000600AR0S5----K01
750	2.2	3.8	40	4.7	14.1	135.0	40	100X125	FD/MD/FS/MS	1	SD007500600AR0X2----K01
800	1.4	3.4	60	6.0	18	144.0	60	85X185	FD/MD/FS/MS	1.2	SD008000600AR0S6----K01
840	1.25	3.1	40	6.5	19.5	151.2	60	85 X181	FD/MD/FS/MS	1.3	SD008400600AR0SI----K01
900	1.1	3.2	60	9.7	29.1	162.0	40	100X140	FD/MD/FS/MS	1.3	SD009000600AR0X3----K01
940	0.9	3.1	60	9.3	27.9	169.2	40	100X150	FD/MD/FS/MS	1.4	SD009400600AR0X4----K01
980	0.8	3.1	80	9.2	27.6	176.4	45	100 X155	FD/MD/FS/MS	1.2	SD009800600AR0X5----K01
1000	1.6	2.3	60	12.6	37.8	180.0	40	116X125	FD/MD/FS/MS	1.1	SD010000600AR0R2----K01
1040	0.8	2.7	80	6.5	19.5	187.2	60	85 X210	FD/MD/FS/MS	1.2	SD010400600AR0SR----K01
1100	1.8	2.7	60	6.6	19.8	198.0	60	85X225	FD/MD/FS/MS	1.65	SD011000600AR0S7----K01
1260	0.5	2.6	80	13	39	226.8	40	116 X145	FD/MD/FS/MS	1.3	SD012600600AR0RD----K01
1360	1.1	2.3	60	10.3	30.9	244.8	60	100X185	FD/MD/FS/MS	1.2	SD013600600AR0X6----K01
1450	0.9	2.5	80	6.9	20.7	261.0	70	85X275	FD/MD/FS/MS	1.6	SD014500600AR0S9----K01
1400	1.1	2.3	80	7.2	21.6	252.0	60	85 X255	FD/MD/FS/MS	1	SD014000600AR0S8----K01
1440	0.6	2	60	14.2	42.6	259.2	40	116X150	FD/MD/FS/MS	1.5	SD014400600AR0R4----K01
1560	0.5	2.1	80	12.2	36.6	280.8	40	116 X180	FD/MD/FS/MS	1.9	SD015600600AR0RG----K01
1650	0.8	1.8	80	7.2	21.6	297.0	70	85X295	FD/MD/FS/MS	1.8	SD016500600AR0S10----K01
1720	0.7	2.1	80	10.2	30.6	309.6	60	100X225	FD/MD/FS/MS	2.2	SD017200600AR0X7----K01
1800	0.7	2	60	13.6	40.8	324.0	60	116X185	FD/MD/FS/MS	2.1	SD018000600AR0R6----K01
2000	1.3	1.9	80	10.3	30.9	360.0	70	100X255	FD/MD/FS/MS	2.5	SD020000600AR0X8----K01
2100	0.6	1.3	80	9.9	29.7	378.0	70	100X275	FD/MD/FS/MS	2.8	SD021000600AR0X9----K01
2270	0.5	1.7	120	20.9	62.7	408.6	60	116 X220	FD/MD/FS/MS	2.1	SD022700600AR0RI----K01
3000	0.5	1.3	100	21.3	63.9	540.0	70	116X275	FD/MD/FS/MS	3.1	SD030000600AR0R9----K01
3300	0.4	1.3	120	22	66	594.0	75	116 X290	FD/MD/FS/MS	2.5	SD033000600AR0RL----K01
3700	0.4	1.1	120	20.6	61.8	666.0	70	116 X340	FD/MD/FS/MS	3.2	SD037000600AR0RM----K01
5100	0.3	1.1	120	26.8	80.4	738.0	40	136 X295	FD/MD/FS/MS	3.5	SD051000600AR0I5----K01
7000	0.6	0.9	120	27.0	81.0	1260.0	70	136X345	FD/MD/FS/MS	5.3	SD070000600AR0I6----K01
7400	0.5	0.9	80	19.0	57.0	1332	70	136x345	FD/MD/FS/MS	5.3	SD074000600AR0I6----K01

ESR at 1 kHz (typical value)

Weight is typical value

Other configuration and capacitance tolerance available up on request.

DCL- 41

Standard Capacitor Values

U _N = 700V		U _r =200V		U _s =1050V		U _{T-T} =1050VDC		U _{T-C} =3300 V AC/2s			
C _N	R _s	R _{th}	I _{max}	I _{peak}	I _{surge}	E _n	L	DXL	Terminal Style	Mass	Order code
(µF)	(mΩ)	(K/W)	(A)	(KA)	(KA)	(W*sec)	(nH)	(mm)		(Kg)	
360	2.4	5.4	40	2.80	8.40	88.2	40	85X105	FD/MD/FS/MS	0.65	SD003600700AR0S1----K01
410	1.1	6.7	40	3.60	10.8	100.5	30	85X85	FD/MD/FS/MS	0.5	SD004100700AR0Y9----K01
450	3.0	4.6	40	3.50	10.5	110.3	40	85X125	FD/MD/FS/MS	0.75	SD004500700AR0S2----K01
495	4.2	4.1	40	3.80	11.6	121.3	40	85X140	FD/MD/FS/MS	0.71	SD004950700AR0S3----K01
520	1.5	4.6	40	4.02	12.1	127.4	40	100X105	FD/MD/FS/MS	0.84	SD005200700AR0X1----K01
540	1.2	3.8	60	4.20	12.6	132.3	40	85X150	FD/MD/FS/MS	0.9	SD005400700AR0S4----K01
585	1.7	5.2	30	3.20	9.60	143.3	60	85X110	FD/MD/FS/MS	0.7	SD005850700AR0SB----K01
630	1.1	3.6	60	4.90	14.7	154.4	40	85X160	FD/MD/FS/MS	0.96	SD006300700AR0S5----K01
650	1.3	4.4	40	3.60	10.8	159.3	50	100X100	FD/MD/FS/MS	0.9	SD006500700AR0X1----K01
675	2.4	3.8	40	5.20	15.8	165.4	40	100X125	FD/MD/FS/MS	1.0	SD006750700AR0X2----K01
675	0.5	3.7	60	5.20	15.8	165.4	40	116X105	FD/MD/FS/MS	1.1	SD006750700AR0R1----K01
790	0.6	3.4	60	6.09	18.4	193.6	40	100X140	FD/MD/FS/MS	1.2	SD007900700AR0X3----K01
820	0.87	3.8	80	6.60	19.8	200.9	40	85X150	FD/MD/FS/MS	1.0	SD008200700AR0S4----K01
855	0.9	3.2	60	6.60	20.0	209.5	40	100X150	FD/MD/FS/MS	1.3	SD008550700AR0X4----K01
900	0.7	3.1	60	7.00	21.0	220.5	40	116X125	FD/MD/FS/MS	1.4	SD009000700AR0R2----K01
900	1.9	2.5	60	3.50	10.5	220.5	40	85X225	FD/MD/FS/MS	1.1	SD009000700AR0S7----K01
990	1.5	2.3	80	3.50	10.5	242.6	60	85X255	FD/MD/FS/MS	1.2	SD009900700AR0S8----K01
1035	1	2.6	60	4.10	12.3	253.6	60	100X185	FD/MD/FS/MS	1.4	SD010350700AR0X6----K01
1070	0.8	3.1	80	8.60	25.8	262.2	40	100X155	FD/MD/FS/MS	1.3	SD010700700AR0X5----K01
1080	0.5	2.7	60	8.40	25.2	264.6	40	116X140	FD/MD/FS/MS	1.64	SD010800700AR0R3----K01
1080	2.5	2.0	60	4.20	12.6	264.6	40	85X275	FD/MD/FS/MS	1.5	SD010800700AR0S9----K01
1170	1.5	2.7	60	6.50	19.5	286.7	60	85X210	FD/MD/FS/MS	1.3	SD011700700AR0SR----K01
1170	0.5	2.5	70	9.10	27.3	286.7	70	116X150	FD/MD/FS/MS	1.6	SD011700700AR0R4----K01
1260	2.1	1.8	60	4.90	14.7	308.7	50	85X295	FD/MD/FS/MS	1.9	SD012600700AR0SA----K01
1260	0.8	2.0	80	4.90	14.7	308.7	70	116X185	FD/MD/FS/MS	2.1	SD012600700AR0R6----K01
1350	1.25	2.1	60	5.50	16.5	330.8	60	100X225	FD/MD/FS/MS	2.2	SD013500700AR0X7----K01
1500	1.8	2.3	60	6.40	19.2	367.5	60	85X252	FD/MD/FS/MS	1.6	SD015000700AR0S8----K01
1575	1.5	1.9	80	6.00	18.0	385.9	70	100X255	FD/MD/FS/MS	2.5	SD015750700AR0X8----K01
1700	1.7	1.7	80	6.50	19.5	416.5	70	100X275	FD/MD/FS/MS	2.8	SD017000700AR0X9----K01
1800	0.7	1.6	90	7.00	21.0	441.0	60	116X225	FD/MD/FS/MS	2.6	SD018000700AR0R7----K01
2120	0.8	1.9	60	11.1	33.3	519.4	50	116X205	FD/MD/FS/MS	2.4	SD021200700AR0RH----K01
2150	0.4	1.4	100	8.50	25.5	526.8	60	116X255	FD/MD/FS/MS	2.8	SD021500700AR0R8----K01
2295	0.6	1.7	120	18.4	55.2	562.3	60	116X220	FD/MD/FS/MS	2.5	SD022950700AR0RI----K01
2350	0.5	1.3	100	9.00	27.0	575.8	70	116X275	FD/MD/FS/MS	3.1	SD023500700AR0R9----K01
3060	0.7	1.3	120	25.0	75.0	749.7	75	116X290	FD/MD/FS/MS	3.3	SD030600700AR0RL----K01
5200	0.7	0.9	120	25.0	75.0	1274.0	70	136X345	FD/MD/FS/MS	5.3	SD052000700AR0I6----K01
5540	0.8	0.9	60	16.0	48.0	1357.3	70	136X345	FD/MD/FS/MS	5.3	SD055400700AR0I6----K01

DCL- 41

Standard Capacitor Values

U _N = 900V		U _r =200V		U _s =1350V		U _{T1} =1350VDC		U _{Tc} =3360 V AC/2s			
C _N	R _s	R _{th}	I _{max}	I _{peak}	I _{surge}	E _n	L	DXL	Terminal Style	Mass	Order code
(μ F)	(m Ω)	(K/W)	(A)	(KA)	(KA)	(W*sec)	(nH)	(mm)		(Kg)	
220	1.2	7.3	40	2.40	7.20	89.1	40	85X78	FD/MD/FS/MS	0.5	SD002200900AR0Y8----K01
300	3.0	5.4	40	2.81	8.43	121.5	40	85X105	FD/MD/FS/MS	0.65	SD003000900AR0S1----K01
340	3.1	5.8	80	5.60	16.8	137.7	60	85X110	FD/MD/FS/MS	0.7	SD003400900AR0SB----K01
350	1.7	6.7	40	3.00	9.00	141.8	30	85X85	FD/MD/FS/MS	0.5	SD003500900AR0Y9----K01
360	3.6	4.6	40	3.40	10.2	145.8	40	85X125	FD/MD/FS/MS	0.75	SD003600900AR0S2----K01
430	2.1	4.6	40	4.04	12.12	174.2	40	100X105	FD/MD/FS/MS	0.84	SD004300900AR0X1----K01
430	4.5	4.1	40	4.08	12.24	174.2	40	85X140	FD/MD/FS/MS	0.71	SD004300900AR0S3----K01
450	2.7	5.2	40	2.80	8.40	182.3	60	85X110	FD/MD/FS/MS	0.7	SD004500900AR0SB----K01
475	1.2	3.8	60	4.46	13.38	192.4	40	85X150	FD/MD/FS/MS	0.9	SD004750900AR0S4----K01
495	1.1	3.6	60	4.68	14.04	200.5	60	85X160	FD/MD/FS/MS	0.96	SD004950900AR0S5----K01
540	2.3	3.8	40	5.10	15.3	218.7	40	100X125	FD/MD/FS/MS	1.0	SD005400900AR0X2----K01
540	0.9	3.7	60	5.10	15.3	218.7	40	116X105	FD/MD/FS/MS	1.1	SD005400900AR0R1----K01
590	0.9	4.2	80	6.40	19.2	239.0	40	85X136	FD/MD/FS/MS	0.8	SD005900900AR0SE----K01
610	1.1	3.7	80	5.60	16.8	247.1	40	85X155	FD/MD/FS/MS	1.0	SD006100900AR0SG----K01
630	0.8	3.4	60	5.95	17.85	255.2	50	100X140	FD/MD/FS/MS	1.2	SD006300900AR0X3----K01
700	0.9	3.7	80	6.10	18.3	283.5	30	85X150	FD/MD/FS/MS	1.0	SD007000900AR0S4----K01
700	1.2	3.2	60	6.59	19.77	283.5	50	100X150	FD/MD/FS/MS	1.3	SD007000900AR0X4----K01
720	0.8	3.1	60	6.80	20.4	291.6	40	116X125	FD/MD/FS/MS	1.4	SD007200900AR0R2----K01
720	1.5	2.3	60	3.44	10.32	291.6	60	85X225	FD/MD/FS/MS	1.1	SD007200900AR0S7----K01
855	1	2.3	80	4.04	12.12	346.3	60	85X255	FD/MD/FS/MS	1.2	SD008550900AR0S8----K01
855	1.3	2.6	60	4.04	12.12	346.3	50	100X185	FD/MD/FS/MS	1.4	SD008550900AR0X6----K01
855	1.3	2.7	60	8.08	24.24	346.3	40	116X140	FD/MD/FS/MS	1.7	SD008550900AR0R3----K01
920	3.4	2.0	60	4.34	13.02	372.6	70	85X275	FD/MD/FS/MS	1.5	SD009200900AR0S9----K01
945	1.3	2.5	60	8.93	26.79	382.7	50	116X150	FD/MD/FS/MS	1.6	SD009450900AR0R4----K01
990	3.3	1.8	60	4.68	14.04	401.0	60	85X295	FD/MD/FS/MS	1.9	SD009900900AR0S10----K01
1060	1.6	2.5	80	5.80	17.4	429.3	60	85X225	FD/MD/FS/MS	1.4	SD010600900AR0S7----K01
1080	1.7	2.1	80	5.10	15.3	437.4	60	100X225	FD/MD/FS/MS	2.2	SD010800900AR0X7----K01
1080	1.2	2.0	60	5.10	15.3	437.4	60	116X185	FD/MD/FS/MS	2.1	SD010800900AR0R6----K01
1095	0.7	3.1	80	5.70	17.1	443.5	35	116X125	FD/MD/FS/MS	1.4	SD010950900AR0R2----K01
1150	2.3	2.3	80	5.70	17.1	465.8	60	85X252	FD/MD/FS/MS	1.6	SD011500900AR0SP----K01
1260	2.2	1.9	80	5.95	17.85	510.3	60	100X255	FD/MD/FS/MS	2.5	SD012600900AR0X8----K01
1310	0.7	2.5	120	11.4	34.2	530.6	45	116X155	FD/MD/FS/MS	1.8	SD013100900AR0RE----K01
1395	2.4	1.3	80	6.59	19.77	565.0	60	100X275	FD/MD/FS/MS	2.8	SD013950900AR0X9----K01
1440	1.2	1.6	80	6.80	20.4	583.2	60	116X225	FD/MD/FS/MS	2.6	SD014400900AR0R7----K01
1700	1	1.4	100	8.08	24.24	688.5	70	116X255	FD/MD/FS/MS	2.8	SD017000900AR0R8----K01
1740	1.2	2.1	80	5.70	17.1	704.7	50	116X180	FD/MD/FS/MS	2.1	SD017400900AR0RG----K01
1850	0.8	1.3	100	8.71	26.13	749.3	70	116X275	FD/MD/FS/MS	3.1	SD018500900AR0R9----K01
2620	0.6	1.3	120	22.8	68.4	1061.1	75	116X290	FD/MD/FS/MS	3.3	SD026200900AR0RL----K01
3380	1	1.1	80	13.0	39.0	1368.9	70	136X295	FD/MD/FS/MS	4.5	SD033800900AR0I5----K01
3660	0.6	1.1	120	31.8	95.4	1482.3	75	136X295	FD/MD/FS/MS	4.5	SD036600900AR0I5----K01
3880	0.5	1.1	120	16.0	48.0	1571.4	75	136X295	FD/MD/FS/MS	4.5	SD038800900AR0I5----K01
4000	0.7	0.9	120	21.6	64.8	1620.0	45	136X345	FD/MD/FS/MS	5.3	SD040000900AR0I6----K01
4590	0.7	0.9	120	23.9	71.7	1859.0	85	136X345	FD/MD/FS/MS	5.4	SD045900900AR0I6----K01

DCL- 41

Standard Capacitor Values

U _N = 1000V		Ur=250V		Us=1500V		U _{T1} =1500VDC		U _{Tc} =3560 V AC/2s			
C _N	Rs	Rth	Imax	Ipeak	Isurge	En	L	DXL	Terminal Style	Mass	Order code
(µF)	(mΩ)	(K/W)	(A)	(KA)	(KA)	(W*sec)	(nH)	(mm)		(Kg)	
210	1.6	7.3	40	3.1	9.3	105	40	85 X78	FD/MD/FS/MS	0.5	SD002101000AR0Y8----K01
310	2	5.7	80	3	9	155	30	85 X100	FD/MD/FS/MS	0.4	SD003101000AR0SS----K01
310	1.8	6	40	3.3	9.9	155	30	85 X95	FD/MD/FS/MS	0.6	SD003101000AR0YA----K01
340	2.2	5.4	40	3.1	9.3	170	40	85X105	FD/MD/FS/MS	0.65	SD003401000AR0S1----K01
400	2.8	4.7	40	3	9	200	35	85 X120	FD/MD/FS/MS	0.9	SD004001000AR0SC----K01
410	2.7	4.6	40	2.9	8.7	205	40	85X125	FD/MD/FS/MS	0.75	SD004101000AR0S2----K01
480	3.2	4.4	40	3.2	9.6	240	40	85 X130	FD/MD/FS/MS	0.7	SD004801000AR0SD----K01
500	1.8	4.6	40	4.6	13.8	250	40	100X105	FD/MD/FS/MS	0.84	SD005001000AR0X1----K01
520	3.6	4.1	40	3.3	9.9	260	40	85X140	FD/MD/FS/MS	0.71	SD005201000AR0S3----K01
540	0.9	3.9	80	6.4	19.2	270	40	85 X146	FD/MD/FS/MS	0.6	SD005401000AR0SF----K01
550	1	3.8	60	6.2	18.6	275	40	85X150	FD/MD/FS/MS	0.9	SD005501000AR0S4----K01
550	0.6	3.8	100	6.3	18.9	275	40	85 X150	FD/MD/FS/MS	0.8	SD005501000AR0S4----K01
600	1.1	3.6	60	11.1	33.3	300	60	85X160	FD/MD/FS/MS	0.96	SD006001000AR0S5----K01
630	1.2	3.7	60	11.7	35.1	315	40	116X105	FD/MD/FS/MS	1.1	SD006301000AR0R1----K01
650	2.2	3.8	40	9.4	28.2	325	40	100X125	FD/MD/FS/MS	1	SD006501000AR0X2----K01
680	0.6	3.7	80	12.6	37.8	340	40	116 X105	FD/MD/FS/MS	1	SD006801000AR0R1----K01
720	1.4	3.4	60	9.3	27.9	360	60	85X185	FD/MD/FS/MS	1.2	SD007201000AR0S6----K01
750	4.5	3.1	40	10	30	375	60	85 X181	FD/MD/FS/MS	1.3	SD007501000AR0SI----K01
760	0.8	3.2	60	9.4	28.2	380	40	100X140	FD/MD/FS/MS	1.3	SD007601000AR0X3----K01
800	0.9	3.1	60	9	27	400	40	100X150	FD/MD/FS/MS	1.4	SD008001000AR0X4----K01
820	0.9	3.1	80	8.8	26.4	410	45	100 X155	FD/MD/FS/MS	1.2	SD008201000AR0X5----K01
850	1.6	2.3	60	12.2	36.6	425	40	116X125	FD/MD/FS/MS	1.1	SD008501000AR0R2----K01
870	0.8	2.7	80	9.6	28.8	435	60	85 X210	FD/MD/FS/MS	1.2	SD008701000AR0SR----K01
900	1.8	2.7	60	9.2	27.6	450	60	85X225	FD/MD/FS/MS	1.65	SD009001000AR0S7----K01
1000	0.5	2.6	80	11.8	35.4	500	40	116 X145	FD/MD/FS/MS	1.3	SD010001000AR0RD----K01
1050	0.5	2.6	60	11.9	35.7	525	60	116X140	FD/MD/FS/MS	1.4	SD010501000AR0R3----K01
1070	1.1	2.3	60	9.3	27.9	535	60	100X185	FD/MD/FS/MS	1.2	SD010701000AR0X6----K01
1100	0.9	2.5	80	8.9	26.7	550	70	85X275	FD/MD/FS/MS	1.6	SD011001000AR0S9----K01
1100	0.9	2.3	80	9.8	29.4	550	60	85 X255	FD/MD/FS/MS	1	SD011001000AR0S8----K01
1140	0.6	2	60	12.8	38.4	570	40	116X150	FD/MD/FS/MS	1.5	SD011401000AR0R4----K01
1150	0.5	2.1	80	10.3	30.9	575	40	116 X180	FD/MD/FS/MS	1.9	SD011501000AR0RG----K01
1200	1.1	1.8	80	8.99	26.97	600	70	85X295	FD/MD/FS/MS	1.8	SD012001000AR0S10----K01
1250	0.6	2.1	80	12.8	38.4	625	60	100X225	FD/MD/FS/MS	2.2	SD012501000AR0X7----K01
1270	0.7	2.1	80	12.6	37.8	635	60	100 X230	FD/MD/FS/MS	1.6	SD012701000AR0XA----K01
1300	0.4	2	60	16.8	50.4	650	60	116X185	FD/MD/FS/MS	2.1	SD013001000AR0R6----K01
1340	0.8	1.9	80	11.8	35.4	670	70	100X255	FD/MD/FS/MS	2.5	SD013401000AR0X8----K01
1500	0.7	1.3	80	12.1	36.3	750	70	100X275	FD/MD/FS/MS	2.8	SD015001000AR0X9----K01
1640	0.5	1.7	120	17.2	51.6	820	60	116 X220	FD/MD/FS/MS	2.1	SD016401000AR0RI----K01
1720	0.5	1.6	80	17.6	52.8	860	70	116X225	FD/MD/FS/MS	2.6	SD017201000AR0R7----K01
2000	0.5	1.4	100	20.5	61.5	1000	70	116X255	FD/MD/FS/MS	2.8	SD020001000AR0R8----K01
2250	0.6	1.3	100	18.2	54.6	1125	70	116X275	FD/MD/FS/MS	3.1	SD022501000AR0R9----K01
2300	0.6	1.4	120	18.3	54.9	1150	70	116 X280	FD/MD/FS/MS	3.2	SD023001000AR0RK----K01
2500	0.6	1.3	120	19.1	57.3	1250	75	116 X290	FD/MD/FS/MS	2.5	SD025001000AR0RL----K01
3000	0.5	1.1	120	19.2	57.6	1500	70	116 X340	FD/MD/FS/MS	3.2	SD030001000AR0RM----K01
3550	0.4	1.1	120	26.6	79.8	1775	40	136 X295	FD/MD/FS/MS	3.5	SD035501000AR0I5----K01
4100	0.3	0.9	120	25.8	77.4	2050	70	136 X345	FD/MD/FS/MS	4.5	SD041001000AR0I6----K01
4200	0.3	0.9	120	26.4	79.2	2100	85	136 X 345	FD/MD/FS/MS	5.3	SD042001000AR0I6----K01

DCL- 41

Standard Capacitor Values

U _N = 1100V		Ur=250V		Us=1650V		U _{T-T} =1650VDC		U _{T-C} =3840 V AC/2s			
C _N	Rs	Rth	I _{max}	I _{peak}	I _{surge}	En	L	DXL	Terminal Style	Mass	Order code
(µF)	(mΩ)	(K/W)	(A)	(KA)	(KA)	(W*sec)	(nH)	(mm)		(Kg)	
172	1.36	7.3	40	2.50	7.50	104.1	40	85 X78	FD/MD/FS/MS	0.5	SD001721100AR0Y8----K01
190	3.5	5.4	40	2.31	6.90	133.3	40	85X105	FD/MD/FS/MS	0.65	SD001901100AR0S1----K01
235	4.5	4.6	40	2.86	8.60	164.9	40	85X125	FD/MD/FS/MS	0.75	SD002351100AR0S2----K01
250	2.3	5.7	80	4.90	14.7	151.3	30	85 X100	FD/MD/FS/MS	0.4	SD002501100AR0SM----K01
280	1.7	6.0	40	2.50	7.50	169.4	30	85 X95	FD/MD/FS/MS	0.6	SD002801100AR0YA----K01
280	2.2	4.6	40	3.41	10.0	196.5	40	100X105	FD/MD/FS/MS	0.84	SD002801100AR0X1----K01
295	4.8	4.1	40	3.58	11.0	207.0	40	85X140	FD/MD/FS/MS	0.71	SD002951100AR0S3----K01
315	1.5	3.8	60	3.85	12.0	221.1	40	85X150	FD/MD/FS/MS	0.9	SD003151100AR0S4----K01
350	1.3	3.6	60	4.13	12.0	245.6	60	85X160	FD/MD/FS/MS	0.96	SD003501100AR0S5----K01
350	3.5	3.8	40	4.40	13.0	245.6	40	100X125	FD/MD/FS/MS	1.0	SD003501100AR0X2----K01
375	0.6	3.9	120	7.20	21.6	226.9	40	85 X146	FD/MD/FS/MS	0.6	SD003751100AR0SF----K01
380	1.8	4.7	40	2.40	7.20	229.9	35	85 X120	FD/MD/FS/MS	0.9	SD003801100AR0SC----K01
380	1	3.7	60	4.62	14.0	266.7	40	116X105	FD/MD/FS/MS	1.1	SD003801100AR0R1----K01
385	1.8	3.4	60	2.34	7.00	270.2	60	85X185	FD/MD/FS/MS	1.2	SD003851100AR0S6----K01
420	1.9	4.4	40	2.40	7.20	254.1	40	85 X130	FD/MD/FS/MS	0.7	SD004201100AR0SD----K01
420	1.2	3.2	60	5.06	15.0	294.8	40	100X140	FD/MD/FS/MS	1.3	SD004201100AR0X3----K01
450	1	3.8	80	5.00	15.0	272.3	40	85 X150	FD/MD/FS/MS	0.8	SD004501100AR0S4----K01
450	0.5	3.7	80	8.80	26.4	272.3	40	116 X105	FD/MD/FS/MS	1.0	SD004501100AR0R1----K01
460	1.2	3.1	60	5.61	17.0	322.8	40	100X150	FD/MD/FS/MS	1.4	SD004601100AR0X4----K01
470	1.2	2.3	60	5.72	17.0	329.8	40	116X125	FD/MD/FS/MS	1.1	SD004701100AR0R2----K01
560	1.7	2.3	60	3.41	10.0	393.0	60	100X185	FD/MD/FS/MS	1.2	SD005601100AR0X6----K01
580	0.8	3.1	80	6.20	18.6	350.9	45	100 X155	FD/MD/FS/MS	1.2	SD005801100AR0X5----K01
585	1.3	2.6	60	7.15	21.0	410.6	60	116X140	FD/MD/FS/MS	1.4	SD005851100AR0R3----K01
595	1.32	3.1	40	2.60	7.80	360.0	60	85 X181	FD/MD/FS/MS	1.3	SD005951100AR0S1----K01
595	1.7	2.7	60	3.63	11.0	417.6	60	85X225	FD/MD/FS/MS	1.65	SD005951100AR0S7----K01
630	1.3	2.0	60	7.70	23.0	442.1	40	116X150	FD/MD/FS/MS	1.5	SD006301100AR0R4----K01
630	1.1	2.5	80	3.85	12.0	442.1	70	85X275	FD/MD/FS/MS	1.6	SD006301100AR0S9----K01
650	1.3	2.7	80	4.80	14.4	393.3	60	85 X210	FD/MD/FS/MS	1.2	SD006501100AR0SK----K01
675	1.2	1.8	80	4.13	12.0	473.7	70	85X295	FD/MD/FS/MS	1.8	SD006751100AR0SA----K01
720	1.1	2.1	80	4.40	13.0	505.3	60	100X225	FD/MD/FS/MS	2.2	SD007201100AR0X7----K01
765	1.0	2.0	60	4.68	14.0	536.9	60	116X185	FD/MD/FS/MS	2.1	SD007651100AR0R6----K01
800	0.7	2.6	80	3.00	9.00	484.0	40	116 X145	FD/MD/FS/MS	1.3	SD008001100AR0RD----K01
825	0.9	1.9	80	5.06	15.0	579.0	70	100X255	FD/MD/FS/MS	2.5	SD008251100AR0X8----K01
830	0.8	2.3	80	4.80	14.4	502.2	60	85 X252	FD/MD/FS/MS	1.0	SD008301100AR0SL----K01
920	1.0	1.3	80	5.61	17.0	645.7	70	100X275	FD/MD/FS/MS	2.8	SD009201100AR0X9----K01
950	0.6	1.6	80	5.72	17.0	666.7	70	116X225	FD/MD/FS/MS	2.6	SD009501100AR0R7----K01
990	0.5	2.1	80	6.40	19.2	599.0	60	100 X230	FD/MD/FS/MS	1.6	SD009901100AR0XA----K01
1100	0.8	2.1	80	4.50	13.5	665.5	40	116 X180	FD/MD/FS/MS	1.9	SD011001100AR0RG----K01
1170	1	1.4	100	7.15	21.0	821.1	70	116X255	FD/MD/FS/MS	2.8	SD011701100AR0R8----K01
1245	0.65	1.7	120	13.2	39.6	753.2	60	116 X220	FD/MD/FS/MS	2.1	SD012451100AR0R1----K01
1260	1.2	1.3	100	7.70	23.0	884.3	70	116X275	FD/MD/FS/MS	3.1	SD012601100AR0R9----K01
1660	0.63	1.3	120	16.8	50.4	1004.3	75	116 X290	FD/MD/FS/MS	2.5	SD016601100AR0RL----K01
1750	1	1.4	120	9.00	27.0	1058.8	70	116 X280	FD/MD/FS/MS	3.2	SD017501100AR0RK----K01
2200	1.1	1.1	120	9.20	27.6	1331.0	70	116 X340	FD/MD/FS/MS	3.2	SD022001100AR0RM----K01
2300	0.6	1.1	120	24.8	74.4	1391.5	40	136 X295	FD/MD/FS/MS	3.5	SD023001100AR0I5----K01
3060	1	0.9	120	12.6	37.8	1851.3	70	136 X345	FD/MD/FS/MS	4.5	SD030601100AR0I6----K01
3170	1	0.9	120	13.2	39.6	1917.9	85	136 X 345	FD/MD/FS/MS	5.3	SD031701100AR0I6----K01

DCL- 41

Standard Capacitor Values

U _N = 1200V		U _r =250V		U _s =1800V		U _{T1} =1800VDC		U _{Tc} =4000 V AC/2s			
C _N	R _s	R _{th}	I _{max}	I _{peak}	I _{surge}	E _n	L	DXL	Terminal Style	Mass	Order code
(μF)	(mΩ)	(K/W)	(A)	(KA)	(KA)	(W*sec)	(nH)	(mm)		(Kg)	
160	1.6	7.3	40	2.50	7.50	104.1	40	85 X78	FD/MD/FS/MS	0.5	SD001601200AR0Y8----K01
210	2.1	5.7	80	4.90	14.7	151.3	30	85 X100	FD/MD/FS/MS	0.4	SD002101200AR0SS----K01
210	2.1	6.0	40	2.50	7.50	169.4	30	85 X95	FD/MD/FS/MS	0.6	SD002101200AR0YA----K01
220	2.4	5.4	40	2.31	6.90	133.3	40	85X105	FD/MD/FS/MS	0.65	SD002201200AR0S1----K01
280	2.9	4.7	40	2.40	7.20	229.9	35	85 X120	FD/MD/FS/MS	0.9	SD002801200AR0SC----K01
300	3.1	4.6	40	2.86	8.60	164.9	40	85X125	FD/MD/FS/MS	0.75	SD003001200AR0S2----K01
320	3.2	4.4	40	2.40	7.20	254.1	40	85 X130	FD/MD/FS/MS	0.7	SD003201200AR0SD----K01
350	1.8	4.6	40	3.41	10.0	196.5	40	100X105	FD/MD/FS/MS	0.84	SD003501200AR0X1----K01
350	3.6	4.1	40	3.58	11.0	207	40	85X140	FD/MD/FS/MS	0.71	SD003501200AR0S3----K01
350	0.9	3.9	120	7.20	21.6	226.9	40	85 X146	FD/MD/FS/MS	0.6	SD003501200AR0SF----K01
380	1.0	3.8	60	3.85	12.0	221.1	40	85X150	FD/MD/FS/MS	0.9	SD003801200AR0S4----K01
380	1.2	3.8	80	5.00	15.0	272.3	40	85 X150	FD/MD/FS/MS	0.8	SD003801200AR0S4----K01
400	1.1	3.6	60	4.13	12.0	245.6	60	85X160	FD/MD/FS/MS	0.96	SD004001200AR0S5----K01
430	0.6	3.7	60	4.62	14.0	266.7	40	116X105	FD/MD/FS/MS	1.1	SD004301200AR0R1----K01
440	2.2	3.8	40	4.40	13.0	245.6	40	100X125	FD/MD/FS/MS	1	SD004401200AR0X2----K01
440	0.6	3.7	80	8.80	26.4	272.3	40	116 X105	FD/MD/FS/MS	1	SD004401200AR0R1----K01
480	2.3	3.4	60	2.34	7.00	270.2	60	85X185	FD/MD/FS/MS	1.2	SD004801200AR0S6----K01
480	1.4	3.1	40	2.60	7.80	360	60	85 X181	FD/MD/FS/MS	1.3	SD004801200AR0SI----K01
500	0.8	3.2	60	5.06	15.0	294.8	40	100X140	FD/MD/FS/MS	1.3	SD005001200AR0X3----K01
540	0.9	3.1	60	5.61	17.0	322.8	40	100X150	FD/MD/FS/MS	1.4	SD005401200AR0X4----K01
540	1.0	3.1	80	6.20	18.6	350.9	45	100 X155	FD/MD/FS/MS	1.2	SD005401200AR0X5----K01
550	0.5	2.3	60	5.72	17.0	329.8	40	116X125	FD/MD/FS/MS	1.1	SD005501200AR0R2----K01
600	1.5	2.7	80	4.80	14.4	393.3	60	85 X210	FD/MD/FS/MS	1.2	SD006001200AR0SR----K01
620	1.8	2.7	60	3.63	11.0	417.6	60	85X225	FD/MD/FS/MS	1.65	SD006201200AR0S7----K01
630	0.6	2.6	80	3.00	9.00	484	40	116 X145	FD/MD/FS/MS	1.3	SD006301200AR0RD----K01
680	0.5	2.6	60	7.15	21.0	410.6	60	116X140	FD/MD/FS/MS	1.4	SD006801200AR0R3----K01
700	1.1	2.3	60	3.41	10.0	393	60	100X185	FD/MD/FS/MS	1.2	SD007001200AR0X6----K01
720	0.8	2.5	80	3.85	12.0	442.1	70	85X275	FD/MD/FS/MS	1.6	SD007201200AR0S9----K01
720	0.9	2.3	80	4.80	14.4	502.2	60	85 X255	FD/MD/FS/MS	1	SD007201200AR0S8----K01
760	0.6	2.0	60	7.70	23.0	442.1	40	116X150	FD/MD/FS/MS	1.5	SD007601200AR0R4----K01
810	0.4	2.1	80	4.50	13.5	665.5	40	116 X180	FD/MD/FS/MS	1.9	SD008101200AR0RG----K01
840	1.2	1.8	80	4.13	12.0	473.7	70	85X295	FD/MD/FS/MS	1.8	SD008401200AR0S10----K01
900	0.6	2.1	80	4.40	13.0	505.3	60	100X225	FD/MD/FS/MS	2.2	SD009001200AR0X7----K01
900	0.7	2.1	80	6.40	19.2	599	60	100 X230	FD/MD/FS/MS	1.6	SD009001200AR0XA----K01
940	0.8	2.0	60	4.68	14.0	536.9	60	116X185	FD/MD/FS/MS	2.1	SD009401200AR0R6----K01
1020	0.8	1.9	80	5.06	15.0	579	70	100X255	FD/MD/FS/MS	2.5	SD010201200AR0X8----K01
1100	0.7	1.3	80	5.61	17.0	645.7	70	100X275	FD/MD/FS/MS	2.8	SD011001200AR0X9----K01
1110	0.5	1.7	120	13.2	39.6	753.2	60	116 X220	FD/MD/FS/MS	2.1	SD011101200AR0RI----K01
1200	0.5	1.6	80	5.72	17.0	666.7	70	116X225	FD/MD/FS/MS	2.6	SD012001200AR0R7----K01
1380	0.6	1.4	100	7.15	21.0	821.1	70	116X255	FD/MD/FS/MS	2.8	SD013801200AR0R8----K01
1500	0.6	1.3	100	7.70	23.0	884.3	70	116X275	FD/MD/FS/MS	3.1	SD015001200AR0R9----K01
1500	0.6	1.4	120	9.00	27.0	1058.8	70	116 X280	FD/MD/FS/MS	3.2	SD015001200AR0RK----K01
1540	0.6	1.3	120	16.8	50.4	1004.3	75	116 X290	FD/MD/FS/MS	2.5	SD015401200AR0RL----K01
1950	0.8	1.1	120	9.2	27.6	1331	70	116 X340	FD/MD/FS/MS	3.2	SD019501200AR0RM----K01
2200	0.4	1.1	120	24.8	74.4	1391.5	40	136 X295	FD/MD/FS/MS	3.5	SD022001200AR0I5----K01
2640	0.3	0.9	120	12.6	37.8	1851.3	70	136 X345	FD/MD/FS/MS	4.5	SD026401200AR0I6----K01
2700	0.3	0.9	120	13.2	39.6	1917.9	85	136 X 345	FD/MD/FS/MS	5.3	SD027001200AR0I6----K01

DCL- 41

Standard Capacitor Values

U _N = 1300V		U _r =300V		U _s =1950V		U _{T,T} =1950VDC		U _{T-C} =4320 V AC/2s			
C _N	R _s	R _{th}	I _{max}	I _{peak}	I _{surge}	E _n	L	DXL	Terminal Style	Mass	Order code
(μ F)	(m Ω)	(K/W)	(A)	(KA)	(KA)	(W*sec)	(nH)	(mm)		(Kg)	
145	2.3	6.7	40	2.00	6.00	122.5	40	85X85	FD/MD/FS/MS	0.5	SD001451300AR0Y9----K01
160	3.6	5.4	40	2.28	6.80	135.2	40	85X105	FD/MD/FS/MS	0.65	SD001601300AR0S1----K01
200	2.0	4.6	40	2.86	8.60	169.0	40	85X125	FD/MD/FS/MS	0.75	SD002001300AR0S2----K01
215	0.8	5.2	40	2.00	6.00	181.7	60	85X110	FD/MD/FS/MS	0.7	SD002151300AR0SB----K01
235	0.9	4.6	40	3.38	10.0	198.6	40	100X105	FD/MD/FS/MS	0.84	SD002351300AR0X1----K01
250	0.6	4.2	80	4.00	12.0	211.3	40	85X136	FD/MD/FS/MS	0.8	SD002501300AR0SE----K01
250	1.8	4.1	40	3.58	11.0	211.3	40	85X140	FD/MD/FS/MS	0.71	SD002501300AR0S3----K01
270	1.5	4.2	40	1.80	5.40	228.2	40	85X136	FD/MD/FS/MS	0.8	SD002701300AR0SE----K01
270	2	3.8	60	3.90	12.0	228.2	40	85X150	FD/MD/FS/MS	0.9	SD002701300AR0S4----K01
300	1.2	4.2	40	2.00	6.00	253.5	40	85X136	FD/MD/FS/MS	0.8	SD003001300AR0SE----K01
300	2.0	3.6	60	4.23	13.0	253.5	60	85X160	FD/MD/FS/MS	0.96	SD003001300AR0S5----K01
300	1.0	3.8	40	4.36	13.0	253.5	40	100X125	FD/MD/FS/MS	1.0	SD003001300AR0X2----K01
315	1.0	3.7	60	4.55	14.0	266.2	40	116X105	FD/MD/FS/MS	1.1	SD003151300AR0R1----K01
325	2.2	3.4	60	2.34	7.0	274.6	60	85X185	FD/MD/FS/MS	0.9	SD003251300AR0S6----K01
350	1.2	3.2	60	5.07	15.0	295.8	40	100X140	FD/MD/FS/MS	1.2	SD003501300AR0X3----K01
360	1.7	3.2	80	3.90	11.7	304.2	50	85X176	FD/MD/FS/MS	1.1	SD003601300AR0SH----K01
380	1.2	3.1	60	5.53	17.0	321.1	40	100X150	FD/MD/FS/MS	1.3	SD003801300AR0X4----K01
390	1.1	3.1	80	3.60	10.8	329.6	60	85X181	FD/MD/FS/MS	1.2	SD003901300AR0SI----K01
395	1.2	2.3	60	5.72	17.0	333.8	40	116X125	FD/MD/FS/MS	1.4	SD003951300AR0R2----K01
395	1.5	2.3	60	2.86	8.60	333.8	60	85X225	FD/MD/FS/MS	1.1	SD003951300AR0S7----K01
430	1.1	2.8	80	3.80	11.4	363.4	55	85X200	FD/MD/FS/MS	1.2	SD004301300AR0SJ----K01
470	1.7	2.6	60	3.38	10.0	397.2	60	100X185	FD/MD/FS/MS	1.4	SD004701300AR0X6----K01
470	1.3	2.7	60	6.83	20.0	397.2	60	116X140	FD/MD/FS/MS	1.65	SD004701300AR0R3----K01
495	0.9	2.5	60	7.15	21.0	418.3	40	116X150	FD/MD/FS/MS	1.6	SD004951300AR0R4----K01
495	1.5	2.3	80	3.58	11.0	418.3	70	85X255	FD/MD/FS/MS	1.2	SD004951300AR0S8----K01
500	0.7	2.7	80	6.60	19.8	422.5	40	116X140	FD/MD/FS/MS	1.6	SD005001300AR0R3----K01
540	1.6	2.0	80	3.90	12.0	456.3	50	85X275	FD/MD/FS/MS	1.5	SD005401300AR0S9----K01
560	1.3	2.3	80	4.00	12.0	473.2	60	85X252	FD/MD/FS/MS	1.6	SD005601300AR0SL----K01
585	1.8	1.8	80	4.23	13.0	494.3	70	85X295	FD/MD/FS/MS	1.9	SD005851300AR0SA----K01
600	1.1	2.1	60	4.36	13.0	507.0	60	100X225	FD/MD/FS/MS	2.2	SD006001300AR0X7----K01
615	0.8	2.0	80	4.45	13.0	519.7	60	116X185	FD/MD/FS/MS	2.1	SD006151300AR0R6----K01
645	0.7	2.3	80	7.10	21.3	545.0	40	116X165	FD/MD/FS/MS	1.9	SD006451300AR0RF----K01
700	1.2	1.9	80	5.07	15.0	591.5	70	100X255	FD/MD/FS/MS	2.5	SD007001300AR0X8----K01
765	1.1	1.3	90	5.53	17.0	646.4	70	100X275	FD/MD/FS/MS	2.8	SD007651300AR0X9----K01
785	0.9	1.6	80	5.69	17.0	663.3	60	116X225	FD/MD/FS/MS	2.6	SD007851300AR0R7----K01
945	1	1.4	100	6.83	20.0	798.5	70	116X255	FD/MD/FS/MS	2.8	SD009451300AR0R8----K01
1000	1.2	1.3	100	7.15	21.0	845.0	70	116X275	FD/MD/FS/MS	3.1	SD010001300AR0R9----K01
1100	0.9	1.3	120	14.6	43.8	929.5	75	116X290	FD/MD/FS/MS	3.3	SD011001300AR0RL----K01
1460	1.2	1.1	120	7.20	21.6	1233.7	85	116X340	FD/MD/FS/MS	3.9	SD014601300AR0RM----K01
1560	0.7	1.1	120	20.7	62.1	1318.2	70	136X295	FD/MD/FS/MS	4.5	SD015601300AR0I5----K01
1600	0.9	1.1	80	10.0	30.0	1352.0	70	136X295	FD/MD/FS/MS	4.5	SD016001300AR0I5----K01
2070	0.9	0.9	120	10.4	31.2	1749.2	85	136X345	FD/MD/FS/MS	5.4	SD020701300AR0I6----K01

DCL- 41

Standard Capacitor Values

U _N = 1500V		U _r =300V		U _s =2250V		U _{T1} =2250VDC		U _{Tc} =4800 V AC/2s			
C _N	R _s	R _{th}	I _{max}	I _{peak}	I _{surge}	E _n	L	DXL	Terminal Style	Mass	Order code
(µF)	(mΩ)	(K/W)	(A)	(KA)	(KA)	(W*sec)	(nH)	(mm)		(Kg)	
85	1.5	5.4	40	1.43	4.30	95.6	40	85X105	FD/MD/FS/MS	0.65	SD000851500AR0S1----K01
120	2.0	4.6	40	1.95	5.90	135.0	40	85X125	FD/MD/FS/MS	0.75	SD001201500AR0S2----K01
125	2.1	4.1	40	2.10	6.30	140.6	40	85X140	FD/MD/FS/MS	0.71	SD001251500AR0S3----K01
130	2.0	4.6	40	2.18	6.50	146.3	40	100X105	FD/MD/FS/MS	0.84	SD001301500AR0X1----K01
150	1.0	3.8	60	2.40	7.20	168.8	40	85X150	FD/MD/FS/MS	0.9	SD001501500AR0S4----K01
160	1.1	3.6	60	2.63	7.90	180.0	60	85X160	FD/MD/FS/MS	0.96	SD001601500AR0S5----K01
170	2.4	3.8	40	2.85	8.60	191.3	40	100X125	FD/MD/FS/MS	1.0	SD001701500AR0X2----K01
170	1.0	3.7	60	2.85	8.60	191.3	40	116X105	FD/MD/FS/MS	1.1	SD001701500AR0R1----K01
180	1.0	4.6	80	3.40	10.2	202.5	30	85X125	FD/MD/FS/MS	0.8	SD001801500AR0S2----K01
200	1.2	3.4	60	3.30	9.90	225.0	40	100X140	FD/MD/FS/MS	1.2	SD002001500AR0X3----K01
210	2.8	4.2	40	1.80	5.40	236.3	55	85X136	FD/MD/FS/MS	0.8	SD002101500AR0SE----K01
220	1.2	3.2	60	3.60	11.0	247.5	40	100X150	FD/MD/FS/MS	1.3	SD002201500AR0X4----K01
230	1.6	3.7	80	3.20	9.60	258.8	40	85X155	FD/MD/FS/MS	1.0	SD002301500AR0SG----K01
240	1.2	3.1	60	3.90	12.0	270.0	40	116X125	FD/MD/FS/MS	1.4	SD002401500AR0R2----K01
250	1.5	2.3	60	2.06	6.20	281.3	60	85X225	FD/MD/FS/MS	1.1	SD002501500AR0S7----K01
250	1.3	2.3	60	2.10	6.30	281.3	60	85X255	FD/MD/FS/MS	1.53	SD002501500AR0S8----K01
260	1.7	2.6	60	2.18	6.50	292.5	60	100X185	FD/MD/FS/MS	1.4	SD002601500AR0X6----K01
285	1.3	2.6	60	4.73	14.0	320.6	40	116X150	FD/MD/FS/MS	1.6	SD002851500AR0R4----K01
290	1.9	2.0	60	2.40	7.20	326.3	70	85X275	FD/MD/FS/MS	1.5	SD002901500AR0S9----K01
315	1.2	1.8	80	2.63	7.90	354.4	70	85X295	FD/MD/FS/MS	1.9	SD003151500AR0SA----K01
350	1.6	2.6	80	3.20	9.60	393.8	70	85X223	FD/MD/FS/MS	1.4	SD003501500AR0SO----K01
350	1.9	2.1	60	2.85	8.60	393.8	70	100X225	FD/MD/FS/MS	2.2	SD003501500AR0X7----K01
360	1.0	2.0	80	3.00	9.00	405.0	60	116X185	FD/MD/FS/MS	2.1	SD003601500AR0R6----K01
365	0.5	3.1	80	7.40	22.2	410.6	35	116X125	FD/MD/FS/MS	1.4	SD003651500AR0R2----K01
400	1.2	1.9	80	3.30	9.90	450.0	70	100X255	FD/MD/FS/MS	2.5	SD004001500AR0X8----K01
405	0.6	2.8	80	7.00	21.0	455.6	40	116X135	FD/MD/FS/MS	1.5	SD004051500AR0RC----K01
430	1.2	1.3	80	3.60	11.0	483.8	70	100X275	FD/MD/FS/MS	2.8	SD004301500AR0X9----K01
560	1.0	1.6	100	4.69	14.0	630.0	70	116X255	FD/MD/FS/MS	2.8	SD005601500AR0R8----K01
575	0.6	2.3	80	4.60	13.8	646.9	40	136X140	FD/MD/FS/MS	2.2	SD005751500AR0I2----K01
630	1.2	1.3	100	5.25	16.0	708.8	70	116X275	FD/MD/FS/MS	3.1	SD006301500AR0R9----K01
680	0.5	1.7	120	13.0	39.0	765.0	50	136X195	FD/MD/FS/MS	3.1	SD006801500AR0I3----K01
810	0.65	1.5	120	6.50	19.5	911.3	65	116X250	FD/MD/FS/MS	2.9	SD008101500AR0RJ----K01
1095	1.0	1.1	120	9.30	27.9	1231.9	85	116X335	FD/MD/FS/MS	3.8	SD010951500AR0RN----K01
1545	0.8	0.9	120	13.2	39.6	1738.1	85	136X345	FD/MD/FS/MS	5.3	SD015451500AR0I6----K01

DCL- 41

Standard Capacitor Values

U _N = 1800V		U _r =400V		U _s =2700V		U _{T-T} =2700VDC		U _{T-C} =5520 V AC/2s			
C _N	R _s	R _{th}	I _{max}	I _{peak}	I _{surge}	E _n	L	DXL	Terminal Style	Mass	Order code
(μ F)	(m Ω)	(K/W)	(A)	(KA)	(KA)	(W*sec)	(nH)	(mm)		(Kg)	
70	1.7	5.4	40	1.35	4.10	113.4	40	85X105	FD/MD/FS/MS	0.65	SD000701800AR0S1----K01
90	1.6	4.6	40	1.80	5.40	145.8	40	85X125	FD/MD/FS/MS	0.75	SD000901800AR0S2----K01
100	2.1	4.1	40	2.07	6.20	162.0	40	85X140	FD/MD/FS/MS	0.71	SD001001800AR0S3----K01
100	1.8	4.6	40	2.07	6.20	162.0	40	100X105	FD/MD/FS/MS	0.84	SD001001800AR0X1----K01
110	2.2	3.8	60	2.16	6.50	178.2	40	85X150	FD/MD/FS/MS	0.9	SD001101800AR0S4----K01
120	1.1	5.2	40	1.50	5.40	194.4	60	85X110	FD/MD/FS/MS	0.7	SD001201800AR0S5----K01
130	1.1	3.6	60	2.52	7.60	210.6	60	85X160	FD/MD/FS/MS	0.96	SD001301800AR0S5----K01
135	2.4	3.8	40	2.70	8.10	218.7	40	100X125	FD/MD/FS/MS	1.0	SD001351800AR0X2----K01
135	1.0	3.7	60	2.70	8.10	218.7	40	116X105	FD/MD/FS/MS	1.1	SD001351800AR0R1----K01
160	1.2	3.4	60	3.15	9.50	259.2	40	100X140	FD/MD/FS/MS	1.2	SD001601800AR0X3----K01
170	1.2	3.2	60	3.42	10.0	275.4	40	100X150	FD/MD/FS/MS	1.3	SD001701800AR0X4----K01
180	1.2	3.1	60	3.60	11.0	291.6	40	116X125	FD/MD/FS/MS	1.4	SD001801800AR0R2----K01
200	1.5	2.3	60	4.05	12.0	324.0	60	85X225	FD/MD/FS/MS	1.1	SD002001800AR0S7----K01
210	1.0	2.3	80	4.14	12.0	340.2	60	85X255	FD/MD/FS/MS	1.2	SD002101800AR0S8----K01
210	1.7	2.6	60	4.14	12.0	340.2	60	100X185	FD/MD/FS/MS	1.4	SD002101800AR0X6----K01
220	1.3	2.7	60	4.32	13.0	356.4	40	116X140	FD/MD/FS/MS	1.64	SD002201800AR0R3----K01
225	1.9	2.0	60	4.50	14.0	364.5	70	85X275	FD/MD/FS/MS	1.5	SD002251800AR0S9----K01
250	1.3	2.5	60	4.95	15.0	405.0	50	116X150	FD/MD/FS/MS	1.6	SD002501800AR0R4----K01
270	2.2	1.8	60	2.70	8.10	437.4	70	85X295	FD/MD/FS/MS	1.9	SD002701800AR0SA----K01
270	1.1	2.1	80	2.70	8.10	437.4	60	100X225	FD/MD/FS/MS	2.2	SD002701800AR0X7----K01
270	0.6	2.0	100	2.70	8.10	437.4	60	116X185	FD/MD/FS/MS	2.1	SD002701800AR0R6----K01
315	0.8	1.9	100	3.15	9.50	510.3	70	100X255	FD/MD/FS/MS	2.5	SD003151800AR0X8----K01
350	0.8	1.3	100	3.42	10.0	567.0	70	100X275	FD/MD/FS/MS	2.8	SD003501800AR0X9----K01
360	1.0	1.6	100	3.60	11.0	583.2	70	116X255	FD/MD/FS/MS	2.8	SD003601800AR0R8----K01
390	2.2	2.1	40	2.60	7.80	631.8	50	116X180	FD/MD/FS/MS	2.2	SD003901800AR0RG----K01
430	1.2	1.3	100	4.28	13.0	696.6	70	116X275	FD/MD/FS/MS	3.1	SD004301800AR0R9----K01
630	0.9	1.4	90	5.40	17.4	1020.6	70	116X280	FD/MD/FS/MS	3.2	SD006301800AR0RK----K01
890	0.75	1.1	90	7.60	24.0	1441.8	75	136X295	FD/MD/FS/MS	4.5	SD008901800AR0I5----K01
1060	0.9	0.9	120	11.3	36.0	1717.2	70	136X345	FD/MD/FS/MS	5.3	SD010601800AR0I6----K01

DCL- 41

Standard Capacitor Values

U _N = 2000V		U _r =500V		U _s =3000V		U _{T1} =3000VDC		U _{T-C} =6000 V AC/2s			
C _N	R _s	R _{th}	I _{max}	I _{peak}	I _{surge}	E _n	L	DXL	Terminal Style	Mass	Order code
(μF)	(mΩ)	(K/W)	(A)	(KA)	(KA)	(W*sec)	(nH)	(mm)		(Kg)	
60	1.5	5.4	40	1.30	3.90	120.0	40	85x105	FD/MD/FS/MS	0.65	SD000602000AR0S1----K01
70	2.0	4.6	40	1.60	4.80	140.0	40	85x125	FD/MD/FS/MS	0.75	SD000702000AR0S2----K01
80	2.1	4.1	40	1.80	5.40	160.0	40	85x140	FD/MD/FS/MS	0.71	SD000802000AR0S3----K01
85	2	4.6	40	1.90	5.70	170.0	40	100x105	FD/MD/FS/MS	0.84	SD000852000AR0X1----K01
90	2.9	5.2	40	1.30	3.90	180.0	60	85X110	FD/MD/FS/MS	0.7	SD000902000AR0SB----K01
90	1.0	3.8	60	2.00	6.00	180.0	40	85x150	FD/MD/FS/MS	0.9	SD000902000AR0S4----K01
100	1.1	3.6	60	2.20	6.60	200.0	60	85x160	FD/MD/FS/MS	0.96	SD001002000AR0S5----K01
105	2.7	4.7	40	1.40	4.20	210.0	35	85X120	FD/MD/FS/MS	0.7	SD001052000AR0SC----K01
110	2.4	3.8	40	2.40	7.20	220.0	40	100x125	FD/MD/FS/MS	1.0	SD001102000AR0X2----K01
115	1.0	3.7	60	2.50	7.50	230.0	40	116x105	FD/MD/FS/MS	1.1	SD001152000AR0R1----K01
120	1.3	3.8	80	2.40	7.20	240.0	40	85X150	FD/MD/FS/MS	0.9	SD001202000AR0S4----K01
120	1.3	3.1	60	1.30	3.90	240.0	60	85x185	FD/MD/FS/MS	0.9	SD001202000AR0S6----K01
125	1.2	3.4	60	2.80	8.40	250.0	40	100x140	FD/MD/FS/MS	1.2	SD001252000AR0X3----K01
135	1.2	3.1	60	3.00	9.00	270.0	40	116x125	FD/MD/FS/MS	1.4	SD001352000AR0R2----K01
140	1.2	3.2	60	3.10	9.30	280.0	60	100x150	FD/MD/FS/MS	1.3	SD001402000AR0X4----K01
150	1.5	2.3	60	3.20	9.60	300.0	60	85x225	FD/MD/FS/MS	1.1	SD001502000AR0S7----K01
155	1.3	2.7	60	3.50	11.0	310.0	40	116x140	FD/MD/FS/MS	1.65	SD001552000AR0R3----K01
160	1.0	3.1	80	3.20	9.60	320.0	45	100X155	FD/MD/FS/MS	1.3	SD001602000AR0X5----K01
170	0.7	3.5	80	5.00	15.0	340.0	35	116X110	FD/MD/FS/MS	1.4	SD001702000AR0RA----K01
170	1.7	2.6	60	1.90	5.70	340.0	60	100x185	FD/MD/FS/MS	1.4	SD001702000AR0X6----K01
180	1.9	2	60	2.00	6.00	360.0	40	85x275	FD/MD/FS/MS	1.5	SD001802000AR0S9----K01
180	1.3	2.5	60	4.00	12.0	360.0	60	116x150	FD/MD/FS/MS	1.6	SD001802000AR0R4----K01
195	0.75	3.1	80	4.80	14.4	390.0	35	116X125	FD/MD/FS/MS	1.4	SD001952000AR0R2----K01
200	2.2	1.8	60	2.25	6.80	400.0	70	85x295	FD/MD/FS/MS	1.9	SD002002000AR0SA----K01
210	2.1	2.5	80	2.40	7.20	420.0	60	85X232	FD/MD/FS/MS	1.5	SD002102000AR0SN----K01
215	1.1	2.1	80	2.40	7.20	430.0	70	100x225	FD/MD/FS/MS	2.2	SD002152000AR0X7----K01
225	1.0	2.0	80	2.50	7.50	450.0	60	116x185	FD/MD/FS/MS	2.1	SD002252000AR0R6----K01
250	1.2	1.9	80	2.80	8.40	500.0	70	100x255	FD/MD/FS/MS	2.5	SD002502000AR0X8----K01
270	1.2	1.6	80	3.00	9.00	540.0	70	116x225	FD/MD/FS/MS	2.6	SD002702000AR0R7----K01
275	0.65	2.5	80	6.60	19.8	550.0	40	136X129	FD/MD/FS/MS	2.0	SD002752000AR0I1----K01
280	1.2	1.3	80	3.10	9.30	560.0	70	100x275	FD/MD/FS/MS	2.8	SD002802000AR0X9----K01
310	2.1	2.1	80	2.40	7.20	620.0	50	116X180	FD/MD/FS/MS	2.1	SD003102000AR0RG----K01
315	1.0	1.4	100	3.50	11.0	630.0	70	116x255	FD/MD/FS/MS	2.8	SD003152000AR0R8----K01
360	1.2	1.3	100	4.00	12.0	720.0	70	116x275	FD/MD/FS/MS	3.1	SD003602000AR0R9----K01
640	0.9	1.1	120	12.9	38.7	1280.0	70	136X295	FD/MD/FS/MS	4.5	SD006402000AR0I5----K01
800	0.9	0.9	120	9.60	28.8	1600.0	70	136X345	FD/MD/FS/MS	5.3	SD008002000AR0I6----K01
825	0.9	0.9	120	9.10	27.3	1650.0	85	136X345	FD/MD/FS/MS	5.4	SD008252000AR0I6----K01
880	1.3	0.9	120	6.60	19.8	1760.0	85	136X345	FD/MD/FS/MS	5.4	SD008802000AR0I6----K01

DCL- 41

Standard Capacitor Values

U _N = 2200V		U _r =600V		U _s =3300V		U _{T-T} =3300VDC		U _{T-C} =6480 V AC/2s			
C _N	R _s	R _{th}	I _{max}	I _{peak}	I _{surge}	E _n	L	DXL	Terminal Style	Mass	Order code
(µF)	(mΩ)	(K/W)	(A)	(KA)	(KA)	(W*sec)	(nH)	(mm)		(Kg)	
45	1.7	5.4	40	1.10	3.30	108.9	40	85x105	FD/MD/FS/MS	0.65	SD000452200AR0S1----K01
60	1.5	4.6	40	1.43	4.29	145.2	40	85x125	FD/MD/FS/MS	0.75	SD000602200AR0S2----K01
65	2.1	4.1	40	1.65	4.95	157.3	40	85x140	FD/MD/FS/MS	0.71	SD000652200AR0S3----K01
65	2.0	4.6	40	1.65	4.95	157.3	40	100x105	FD/MD/FS/MS	0.84	SD000652200AR0X1----K01
75	2.0	3.8	60	1.87	5.61	181.5	40	85x150	FD/MD/FS/MS	0.9	SD000752200AR0S4----K01
85	2.6	3.6	60	2.09	6.27	205.7	60	85x160	FD/MD/FS/MS	0.96	SD000852200AR0S5----K01
90	2.8	3.1	40	2.20	6.60	217.8	40	85x185	FD/MD/FS/MS	0.9	SD000902200AR0S6----K01
90	1.6	3.7	60	2.20	6.60	217.8	40	116x105	FD/MD/FS/MS	1.1	SD000902200AR0R1----K01
90	2.5	3.8	60	2.20	6.60	217.8	40	100x125	FD/MD/FS/MS	1.0	SD000902200AR0X2----K01
105	1.4	3.4	60	2.53	7.59	254.1	40	100x140	FD/MD/FS/MS	1.2	SD001052200AR0X3----K01
110	1.4	3.2	60	2.75	8.25	266.2	40	100x150	FD/MD/FS/MS	1.3	SD001102200AR0X4----K01
115	1.5	2.3	60	1.43	4.29	278.3	60	85x225	FD/MD/FS/MS	1.1	SD001152200AR0S7----K01
115	1.2	3.1	60	2.86	8.58	278.3	40	116x125	FD/MD/FS/MS	1.4	SD001152200AR0R2----K01
135	1.7	2.3	60	1.65	4.95	326.7	60	85x255	FD/MD/FS/MS	1.2	SD001352200AR0S8----K01
135	1.7	2.6	60	1.65	4.95	326.7	60	100x185	FD/MD/FS/MS	1.4	SD001352200AR0X6----K01
135	1.3	2.7	60	3.30	9.90	326.7	40	116x140	FD/MD/FS/MS	1.65	SD001352200AR0R3----K01
145	1.6	2	80	1.76	5.28	350.9	70	85x275	FD/MD/FS/MS	1.5	SD001452200AR0S9----K01
150	0.9	2.5	60	3.74	11.22	363.0	50	116x150	FD/MD/FS/MS	1.6	SD001502200AR0R4----K01
170	1.4	2.5	80	2.30	6.90	411.4	60	85X225	FD/MD/FS/MS	1.4	SD001702200AR0S7----K01
170	1.2	1.8	80	2.09	6.27	411.4	70	85x295	FD/MD/FS/MS	1.9	SD001702200AR0SA----K01
180	1.1	2.1	80	2.20	6.60	435.6	60	100x225	FD/MD/FS/MS	2.2	SD001802200AR0X7----K01
180	1.0	2.0	80	2.20	6.60	435.6	60	116x185	FD/MD/FS/MS	2.1	SD001802200AR0R6----K01
205	1.4	1.9	80	2.53	7.59	496.1	70	100x255	FD/MD/FS/MS	2.5	SD002052200AR0X8----K01
225	1.2	1.3	80	2.75	8.25	544.5	70	100x275	FD/MD/FS/MS	2.8	SD002252200AR0X9----K01
235	0.9	1.6	80	2.86	8.58	568.7	60	116x225	FD/MD/FS/MS	2.6	SD002352200AR0R7----K01
270	0.9	1.4	100	3.30	9.90	653.4	70	116x255	FD/MD/FS/MS	2.8	SD002702200AR0R8----K01
280	1.2	1.3	100	3.50	10.5	677.6	70	116x275	FD/MD/FS/MS	3.1	SD002802200AR0R9----K01
390	0.6	1.4	120	9.00	27.0	943.8	60	136X230	FD/MD/FS/MS	3.6	SD003902200AR0I4----K01
660	0.7	0.9	120	8.60	25.8	1597.2	70	136X345	FD/MD/FS/MS	5.3	SD006602200AR0I6----K01

DCL- 41

Standard Capacitor Values

U _N = 2400V		U _r =600V		U _s =3600V		U _{T-T} =3600VDC		U _{T-C} =6960 V AC/2s			
C _N	R _s	R _{th}	I _{max}	I _{peak}	I _{surge}	E _n	L	DXL	Terminal Style	Mass	Order code
(µF)	(mΩ)	(K/W)	(A)	(KA)	(KA)	(W*sec)	(nH)	(mm)		(Kg)	
45	1.7	5.4	40	1.20	3.60	129.6	40	85X105	FD/MD/FS/MS	0.65	SD000452400AR0S1----K01
55	1.4	4.6	40	1.44	4.32	158.4	40	85X125	FD/MD/FS/MS	0.75	SD000552400AR0S2----K01
60	1.0	4.6	40	1.56	4.68	172.8	40	100X105	FD/MD/FS/MS	0.84	SD000602400AR0X1----K01
65	2.1	4.1	40	1.68	5.04	187.2	40	85X140	FD/MD/FS/MS	0.71	SD000652400AR0S3----K01
70	1.1	3.8	60	1.80	5.40	201.6	40	85X150	FD/MD/FS/MS	0.9	SD000702400AR0S4----K01
75	1.0	3.6	60	1.92	5.76	216.0	60	85X160	FD/MD/FS/MS	0.96	SD000752400AR0S5----K01
75	1.3	3.8	40	2.04	6.12	216.0	40	100X125	FD/MD/FS/MS	1.0	SD000752400AR0X2----K01
80	1.0	3.7	60	2.16	6.48	230.4	40	116X105	FD/MD/FS/MS	1.1	SD000802400AR0R1----K01
90	1.2	3.4	60	2.40	7.20	259.2	40	100X140	FD/MD/FS/MS	1.2	SD000902400AR0X3----K01
95	1.2	3.2	60	2.52	7.56	273.6	40	100X150	FD/MD/FS/MS	1.3	SD000952400AR0X4----K01
100	1.2	3.1	60	2.64	7.92	288.0	40	116X125	FD/MD/FS/MS	1.4	SD001002400AR0R2----K01
100	1.2	3.1	60	1.32	3.96	288.0	60	85X185	FD/MD/FS/MS	0.9	SD001002400AR0S6----K01
110	1.3	2.7	80	6.00	18.0	316.8	60	85X210	FD/MD/FS/MS	1.3	SD001102400AR0SK----K01
110	1.5	2.3	60	1.44	4.32	316.8	60	85X225	FD/MD/FS/MS	1.1	SD001102400AR0S7----K01
120	2.0	2.3	60	1.56	4.68	345.6	60	85X255	FD/MD/FS/MS	1.2	SD0012024 00AR0S8----K01
120	1.7	2.6	60	1.56	4.68	345.6	60	100X185	FD/MD/FS/MS	1.4	SD001202400AR0X6----K01
125	1.0	2.7	60	3.36	10.08	360.0	40	116X140	FD/MD/FS/MS	1.65	SD001252400AR0R3----K01
125	1.9	2.0	80	1.68	5.04	360.0	70	85X275	FD/MD/FS/MS	1.5	SD001252400AR0S9----K01
130	1.4	2.5	80	6.60	19.8	374.4	60	85X232	FD/MD/FS/MS	1.5	SD001302400AR0SN----K01
135	1.0	2.5	60	3.60	10.8	388.8	50	116X150	FD/MD/FS/MS	1.6	SD001352400AR0R4----K01
145	2.1	1.8	80	1.92	5.76	417.6	70	85X295	FD/MD/FS/MS	1.9	SD001452400AR0SA----K01
155	1.1	2.1	80	2.04	6.12	446.4	60	100X225	FD/MD/FS/MS	2.2	SD001552400AR0X7----K01
155	1.0	2.0	80	2.04	6.12	446.4	60	116X185	FD/MD/FS/MS	2.1	SD001552400AR0R6----K01
180	1.2	1.9	80	2.40	7.20	518.4	70	100X255	FD/MD/FS/MS	2.5	SD001802400AR0X8----K01
190	1.2	1.3	80	2.52	7.56	547.2	70	100X275	FD/MD/FS/MS	2.8	SD001902400AR0X9----K01
200	0.9	1.6	90	2.64	7.92	576.0	60	116X225	FD/MD/FS/MS	2.6	SD002002400AR0R7----K01
235	1.0	1.4	100	3.12	9.36	676.8	70	116X255	FD/MD/FS/MS	2.8	SD002352400AR0R8----K01
250	0.9	1.3	100	3.36	10.08	720.0	70	116X275	FD/MD/FS/MS	3.1	SD002502400AR0R9----K01
390	0.9	1.1	120	20.8	62.4	1123.2	70	136X 295	FD/MD/FS/MS	4.5	SD003902400AR0I5----K01
500	0.8	0.9	120	15.0	45.0	1440.0	70	136X 345	FD/MD/FS/MS	5.3	SD005002400AR0I6----K01

DCL- 41

Standard Capacitor Values

U _N = 3000V		U _r =600V		U _s =4500V		U _{T1} =4500VDC		U _{T-C} =8400 V AC/2s			
C _N	R _s	R _{th}	I _{max}	I _{peak}	I _{surge}	E _n	L	DXL	Terminal Style	Mass	Order code
(μ F)	(m Ω)	(K/W)	(A)	(KA)	(KA)	(W*sec)	(nH)	(mm)		(Kg)	
36	1.4	5.4	40	1.70	5.10	162	40	85X105	FD/MD/FS/MS	0.65	SD000363000AR0S1----K01
44	1.6	4.6	40	1.60	4.80	198	40	85X125	FD/MD/FS/MS	0.75	SD000443000AR0S2----K01
52	1.1	4.6	40	2.50	7.50	234	40	100X105	FD/MD/FS/MS	0.84	SD000523000AR0X1----K01
58	2.2	4.1	40	1.80	5.40	261	40	85X140	FD/MD/FS/MS	0.71	SD000583000AR0S3----K01
60	2	3.8	60	1.80	5.40	270	40	85X150	FD/MD/FS/MS	0.9	SD000603000AR0S4----K01
60	2.2	3.6	60	1.92	5.80	270	60	85X160	FD/MD/FS/MS	0.96	SD000603000AR0S5----K01
70	1.3	3.8	40	2.60	7.80	315	40	100X125	FD/MD/FS/MS	1	SD000703000AR0X2----K01
74	0.8	3.7	60	3.60	10.80	333	40	116X105	FD/MD/FS/MS	1.1	SD000743000AR0R1----K01
80	1.3	3.4	60	2.60	7.80	360	40	100X140	FD/MD/FS/MS	1.2	SD000803000AR0X3----K01
90	1.5	3.2	60	2.60	7.80	405	40	100X150	FD/MD/FS/MS	1.3	SD000903000AR0X4----K01
94	0.8	3.1	60	3.50	10.5	423	40	116X125	FD/MD/FS/MS	1.4	SD000943000AR0R2----K01
95	0.9	2.7	80	3.70	10.8	428	60	85X210	FD/MD/FS/MS	1.3	SD000953000AR0SR----K01
95	0.9	2.3	60	3.70	10.8	428	60	85X225	FD/MD/FS/MS	1.1	SD000953000AR0S7----K01
100	1.3	2.3	60	1.15	3.45	450	60	85X255	FD/MD/FS/MS	1.2	SD001003000AR0S8----K01
110	2.2	2.6	60	2.50	7.50	495	60	100X185	FD/MD/FS/MS	1.4	SD001103000AR0X6----K01
110	1.05	2.7	60	3.50	10.5	495	40	116X140	FD/MD/FS/MS	1.7	SD001103000AR0R3----K01
120	1.3	2.0	80	2.50	7.50	540	70	85X275	FD/MD/FS/MS	1.5	SD001203000AR0S9----K01
100	1.1	2.5	80	3.40	10.2	450	60	85X230	FD/MD/FS/MS	1.5	SD001003000AR0ST----K01
110	1.2	2.5	60	3.20	9.60	495	50	116X150	FD/MD/FS/MS	1.6	SD001103000AR0R4----K01
130	1.3	1.8	80	1.75	5.25	858	70	85X295	FD/MD/FS/MS	1.9	SD001303000AR0SA----K01
135	1.2	2.1	80	2.40	7.20	608	60	100X225	FD/MD/FS/MS	2.2	SD001353000AR0X7----K01
150	1.6	2.0	80	3.40	10.2	675	60	116X185	FD/MD/FS/MS	2.1	SD001503000AR0R6----K01
160	0.6	1.9	80	3.70	11.1	720	70	100X255	FD/MD/FS/MS	2.5	SD001603000AR0X8----K01
180	1.4	1.3	80	3.80	11.4	810	70	100X275	FD/MD/FS/MS	2.8	SD001803000AR0X9----K01
220	0.8	1.6	90	3.90	11.7	990	60	116X225	FD/MD/FS/MS	2.6	SD002203000AR0R7----K01
225	0.9	1.4	100	3.50	10.5	1013	70	116X255	FD/MD/FS/MS	2.8	SD002253000AR0R8----K01
240	1.1	1.3	100	5.10	15.3	1080	70	116X275	FD/MD/FS/MS	3.1	SD002403000AR0R9----K01
380	0.5	1.1	120	10.0	30.0	1710	70	136X 295	FD/MD/FS/MS	4.5	SD003803000AR0I5----K01
450	0.6	0.9	120	9.50	28.5	2025	70	136X 345	FD/MD/FS/MS	5.3	SD004503000AR0I6----K01

DCL- 41

Definitions of parameters

Rated capacitance C_R

Nominal value of the capacitance at 20 °C and measuring frequency of 100 Hz.

Rated DC voltage: U_N

Maximum operating peak voltage of either polarity but of a non- reversing type waveform, for which the capacitor has been designed, for continuous operation.

Working voltage: U_w

The maximum continuous voltage either DC or AC that can be applied to the capacitor without failure during its working life.

Ripple voltage: U_R

Peak- to- peak alternating component of the unidirectional voltage non-recurrent

Non-recurrent surge voltage: U_s

Peak voltage induced by a switching or any other disturbance of the system which is allowed for a limited number of times and for durations shorter than the basic period.

Insulation voltage: U_i

r.m.s. value of the sine wave voltage designed for the insulation between terminals of capacitors to case or earth.

Maximum peak current: I_p

Maximum repetitive peak current that can occur during continuous operation.

Maximum current: I_{max}

Maximum r.m.s. current for continuous operation.

Maximum surge current: I_s

Peak non - repetitive current induced by switching or any other disturbance of the system which is allowed for a limited number of times, for durations shorter than the basic period.

Highest operating temperature: Θ_{max}

Temperature of the hottest point on the case of the capacitor when in thermal equilibrium

Lowest operating temperature: Θ_{min}

Lowest temperature of the dielectric at which the capacitor may be energize.

Container temperature rise $\Delta\Theta_{case}$

Difference between the temperature of the hottest point of the container and the temperature of the cooling air

Cooling- air temperature: Θ_{amb}

Temperature of the cooling air measured at the hottest position of the capacitor, under steady state conditions, midway between two units

NOTE: if only one unit is involved, it is the temperature measured at a point approximately 0.1 m away from the capacitor container and at two-thirds of the heights from its base.

Maximum operating temperature: Θ_{max}

Highest temperature of the case at which the capacitor may be operated.

Steady-state conditions

Thermal equilibrium attained by the capacitor at constant output and at constant cooling-air temperature.

DCL- 41

Definitions of parameters

Tangent of the loss angle of a capacitor: $\tan \delta$

Ratio between the equivalent series resistance and the capacitive reactance of a capacitor at a specified sinusoidal alternating voltage, frequency and temperature

$$\tan \delta = R_{\text{esr}} \times \omega C = \tan \delta_0 + R_s \times \omega C$$

$\tan \delta_0$ = dielectric loss factor (0.0002)

Equivalent series resistance of a capacitor: ESR

Effective series resistance (ESR) which if connected in series with an ideal capacitor of capacitor of capacitance value equal to that of the capacitor in question, would have a power loss equal to active power dissipated in that capacitor under specified operating conditions.

Maximum power loss: P_{max}

Maximum power loss at which the capacitor may be operated at the maximum case temperature.

DCL- 41

Life Expectancy

The Life expectancy of DCL-41 metallized polypropylene film capacitor is very closely linked with the operating temperature and operating voltage of the capacitor.

The life expectancy is related to the capacitors rated voltage and the maximum hotspot temperature (85°C). The simultaneous operating of capacitor at highest permissible voltage and operating temperature should be avoided.

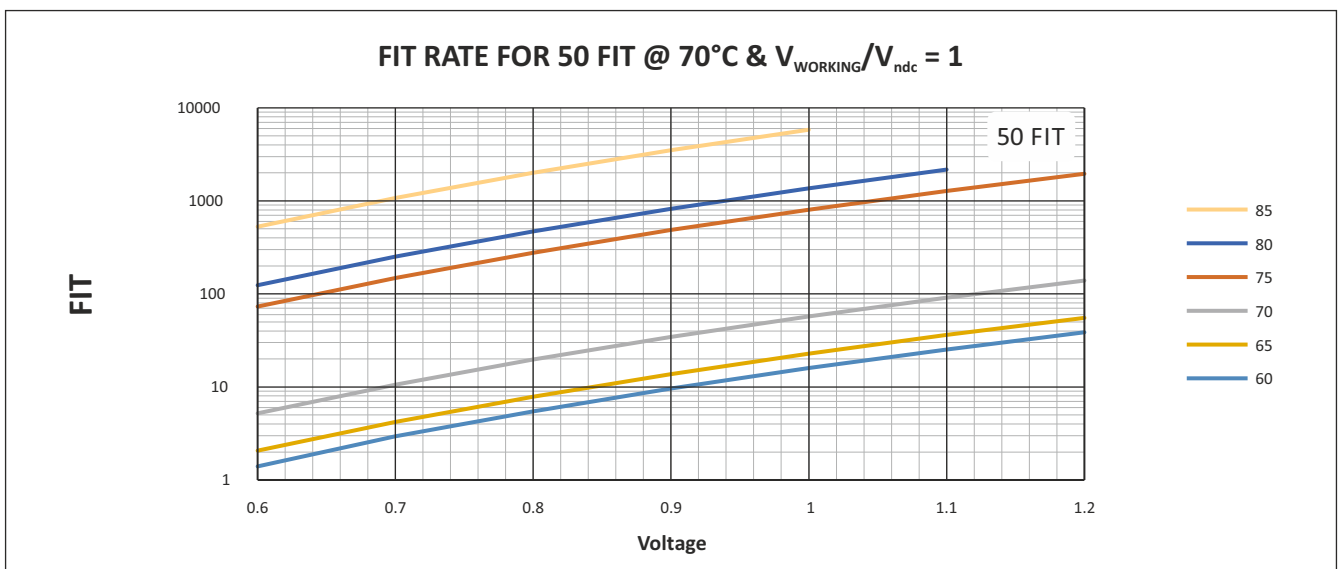
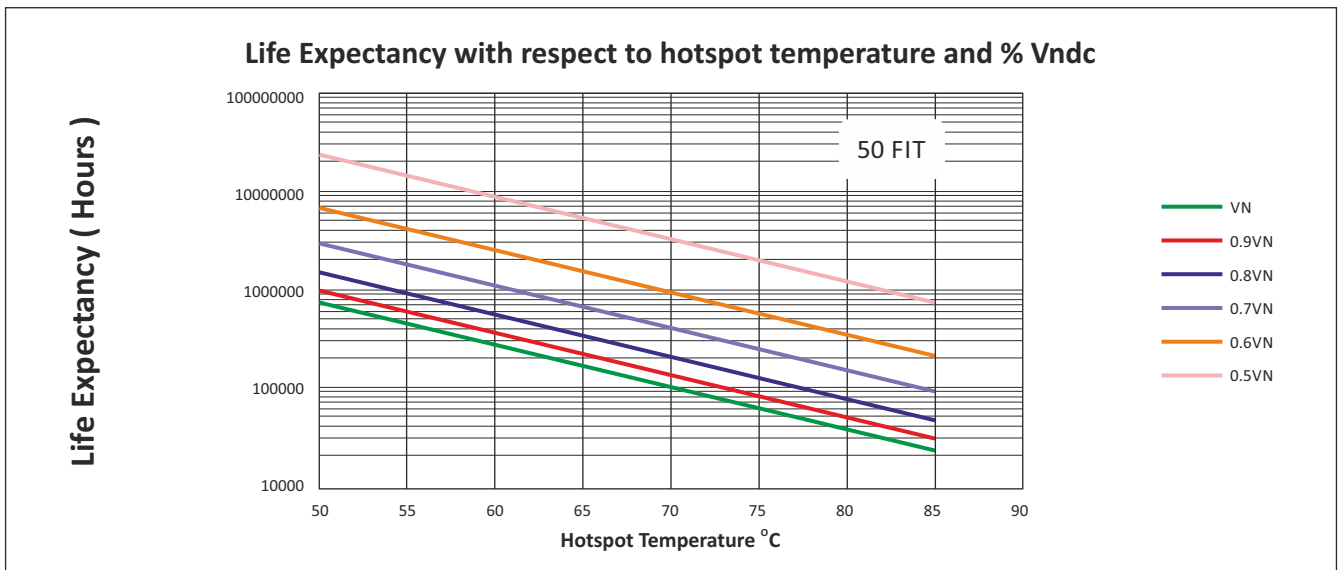
Please note there are no frequency or ripple current multiplying factors in case of metallized film DC link capacitors as compared to Aluminum electrolytic capacitors.

The life expectancy can be calculated from the formula and the look up graph given below:

Life Expectancy

Steps to calculate Hotspot Temperature

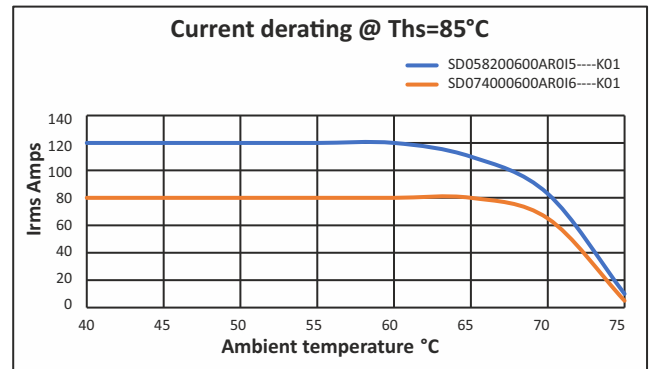
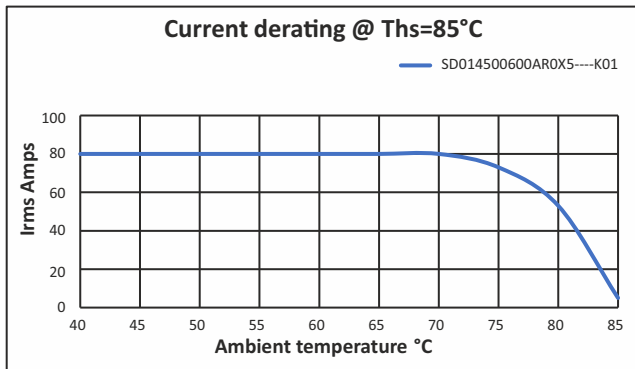
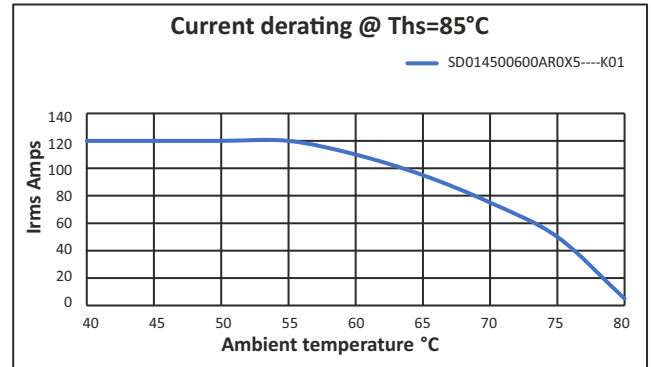
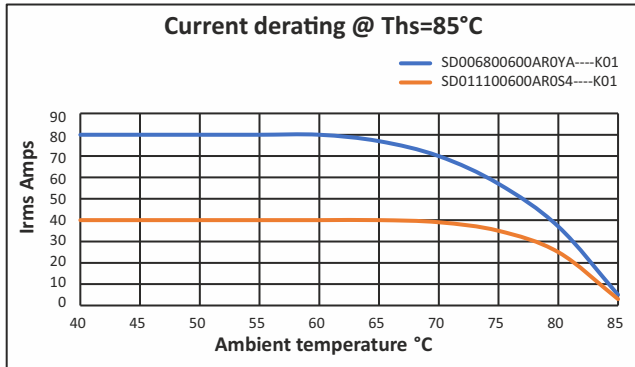
1. locate the capacitor and the ESR from the Electrical specifications (Data sheet).
2. Heat dissipation = $(I_{rms}^2 \times ESR)$.
3. Get the value for R_{th} (°C/watt) Data sheet.
4. Calculate internal temperature rise = $(I_{rms}^2 \times ESR) \times R_{th}$ (°C/watt).
5. Hotspot temperature of capacitor = $T_{Ambient} + (I_{rms}^2 \times ESR) \times R_{th}$ (°C/watt).



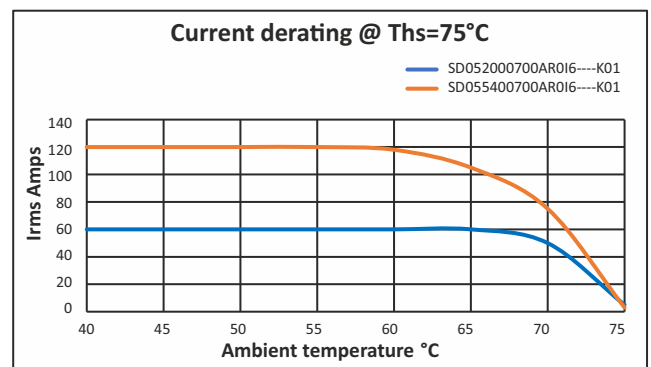
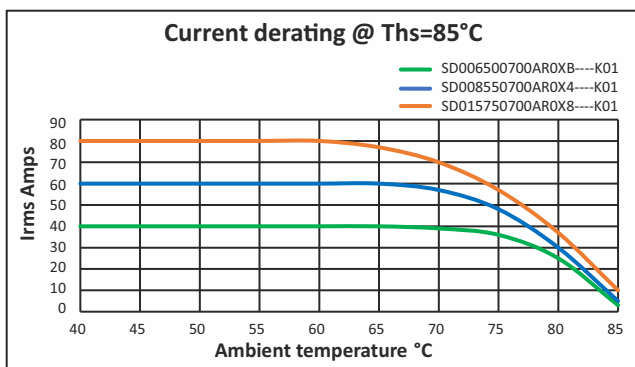
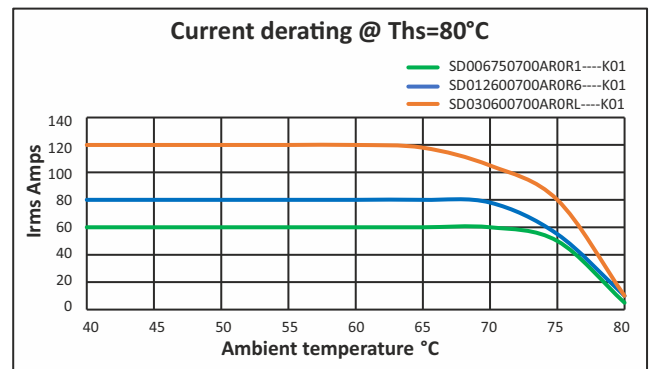
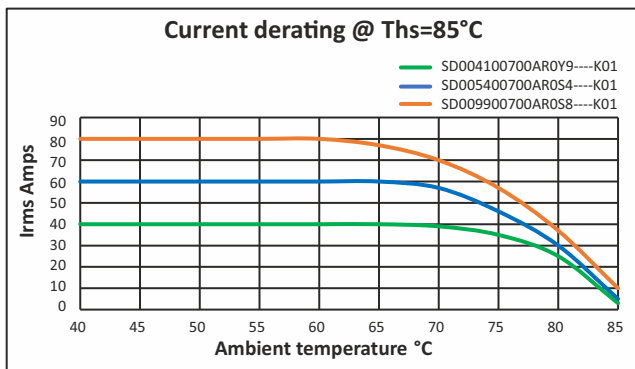
DCL- 41

Current Derating

Current derating graphs for capacitors 600 vdc



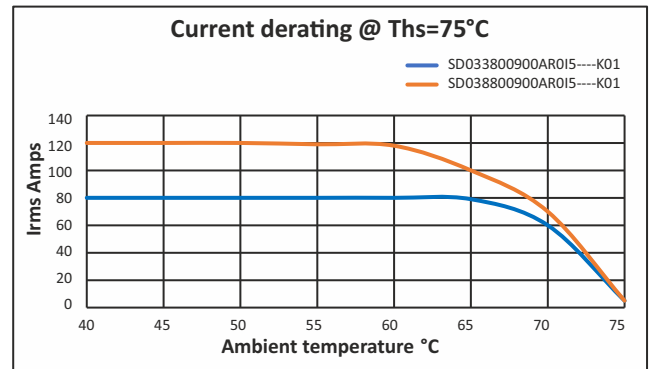
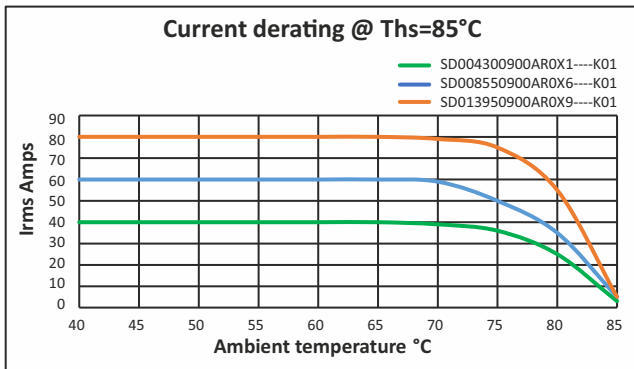
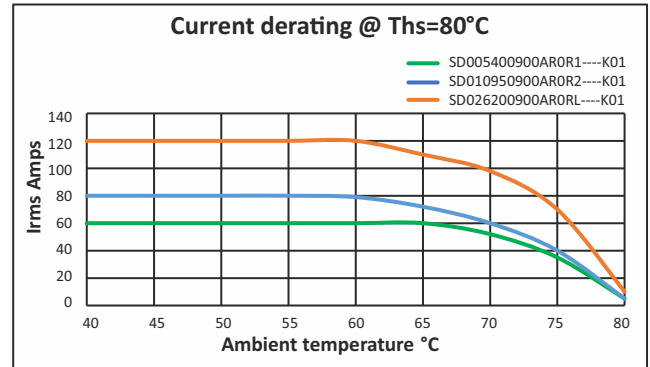
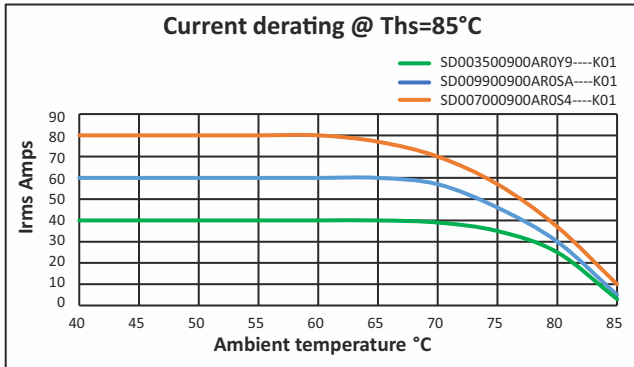
Current derating graphs for capacitors 700 vdc



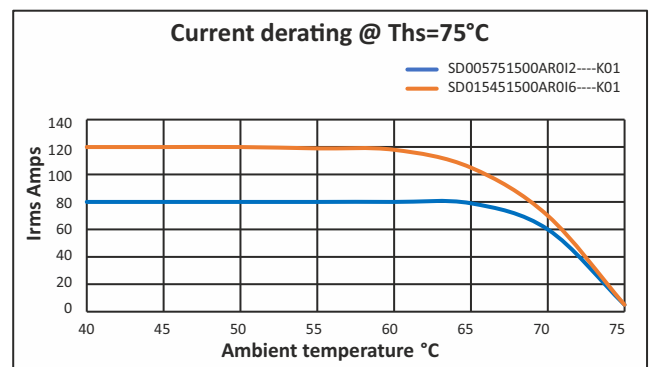
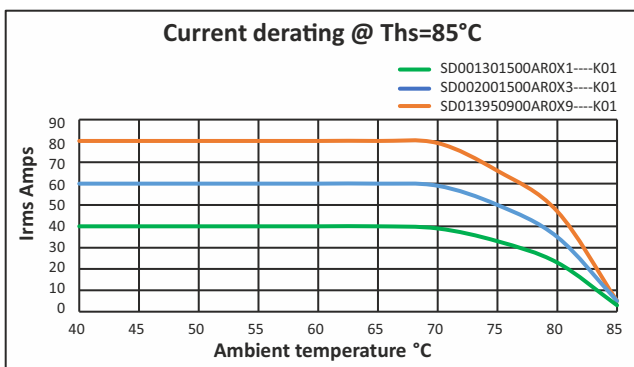
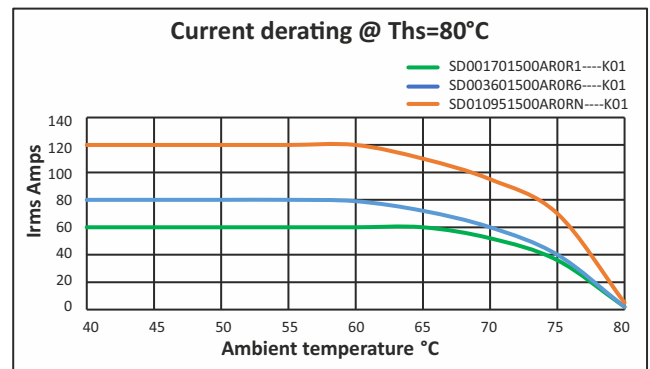
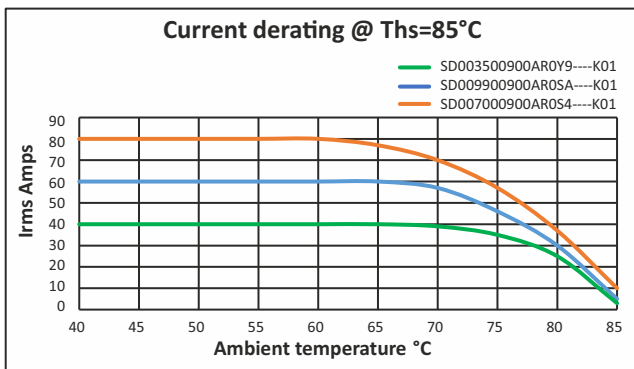
DCL- 41

Current Derating

Current derating graphs for capacitors 900 vdc



Current derating graphs for capacitors 1500 vdc



DCL- 41

Current Derating

Current derating graphs for capacitors 2000 vdc

