

ACC -120

Highlights

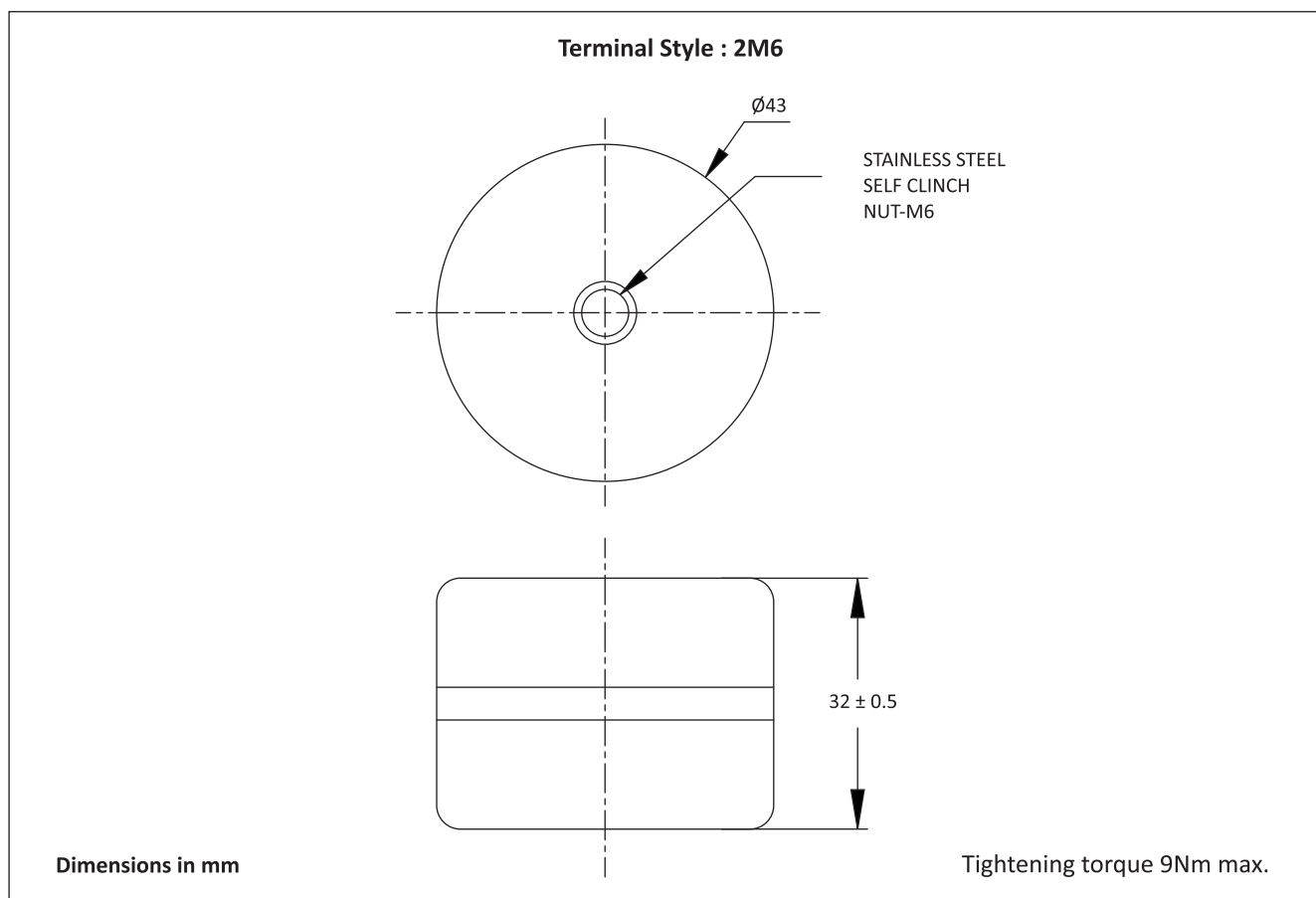
- Conduction cooled
- Polypropylene dielectric
- Self-healing
- Operating frequency up to 1900 KHz
- Maximum operating core temperature 85°C
- Capacitance tolerance $\pm 10\%$
- Flame retardant UL94 - V0, ROHS compliant



Standard Capacitor Values

Rated Voltage Vrms	Nominal capacitance MFD at 1KHz	Max current Irms	Max power Kvar	Frequency KHz	ESR mΩ	Dimensions mm		Case Code	Terminal Style	Ordering Code
						D	H			
1200	0.010	120	120	1330-1900	5.0	43	32	J5	2M6	SP00U011200CC0J502M6K01
	0.050	120	120	265-385	5.0	43	32	J5	2M6	SP00U051200CC0J502M6K01
1000	0.150	120	120	127-127	5.0	43	32	J5	2M6	SP00U151000CC0J502M6K01
	0.170	120	120	127-127	5.0	43	32	J5	2M6	SP00U171000CC0J502M6K01
	0.185	120	120	103-103	5.0	43	32	J5	2M6	SP0U1851000CC0J502M6K01
800	0.330	150	120	91-91	2.0	43	32	J5	2M6	SP00U330800CC0J502M6K01

Capacitor Drawing and Terminal Style



ACC -120

Frequency Derating

—◆— Voltage —■— Current —▲— Power

