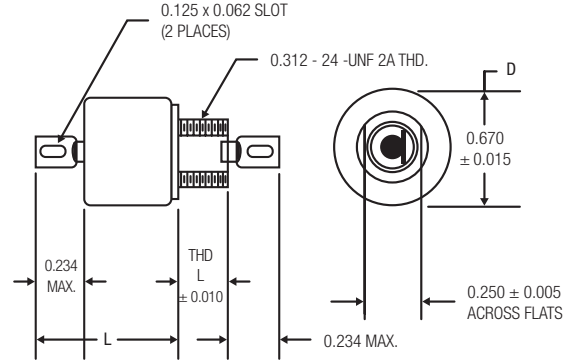
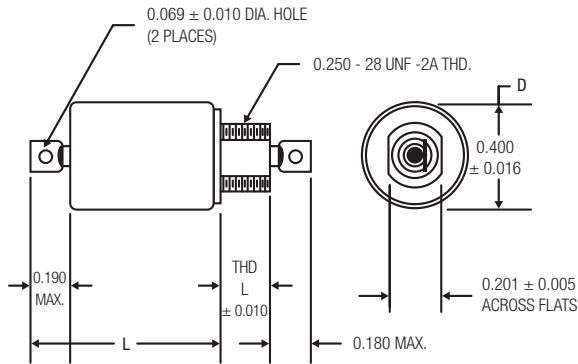
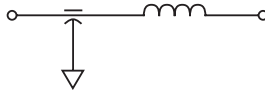


AC-RATED CERAMIC EMI-RFI FILTERS

L1 (40 dB / DECADE)



Current Rating (A)	DC Voltage Rating			D (in.)	Max. L (in.)	Thd. L (in.)	Min. Cap. (µF)	Max. R _{oc} (Ω)	Minimum Insertion Loss +25°C per MIL-STD-220							Dearborn Part Number
	@85°C DC (V)	@125°C DC (V)	@125°C 400Hz (V)						30kHz (dB)	75kHz (dB)	100kHz (dB)	150kHz (dB)	1MHz (dB)	10MHz (dB)	1GHz (dB)	
0.1	250	150	125	0.400	0.630	0.312	0.25	1.7	12	28	33	39	60	60	60	1JX3201
0.1	250	150	125	0.400	0.630	0.187	0.25	1.7	12	28	33	39	60	60	60	1JX3601
0.3	250	150	125	0.400	0.630	0.312	0.25	0.75	3.0	13	24	28	60	60	60	1JX3202
0.3	250	150	125	0.400	0.630	0.187	0.25	0.75	3.0	18	24	28	60	60	60	1JX3602
0.5	200	150	125	0.670	0.890	0.312	0.25	0.4	6.0	24	28	35	68	70	70	1JX3248
0.5	250	150	125	0.400	0.630	0.312	0.25	0.35	-	14	18	20	56	60	60	1JX3203
0.5	250	150	125	0.400	0.630	0.187	0.25	0.35	-	14	18	20	56	60	60	1JX3603
0.5	300	200	125	0.670	0.890	0.312	0.33	0.4	9.0	25	31	38	71	80	80	1JX3268A
0.5	450	300	230	0.670	0.890	0.312	0.15	0.4	7.0	19	24	32	64	80	80	1JX3275A
1.0	200	150	125	0.670	0.890	0.312	0.25	0.21	-	13	20	27	60	70	70	1JX3236
1.0	250	150	125	0.400	0.630	0.312	0.25	0.14	-	6.0	10	12	44	60	60	1JX3204
1.0	250	150	125	0.400	0.630	0.187	0.25	0.14	-	6.0	10	12	44	60	60	1JX3604
1.0	300	200	125	0.400	0.800	0.312	0.15	0.15	-	-	8.0	11	42	70	80	1JX6172A
1.0	300	200	125	0.670	0.890	0.312	0.33	0.23	-	18	24	31	64	80	80	1JX3269A
1.0	450	300	230	0.670	0.890	0.312	0.15	0.23	-	10	17	23	56	80	80	1JX3276A
2.0	250	150	125	0.670	0.890	0.312	0.25	0.043	-	10	14	19	46	70	70	2JX3246A
2.0	250	150	125	0.670	0.890	0.312	0.25	0.075	-	10	14	19	46	70	70	2JX3237
2.0	250	150	125	0.400	0.630	0.312	0.25	0.06	-	5.0	7.0	10	35	60	60	2JX3205
2.0	250	150	125	0.400	0.630	0.187	0.25	0.06	-	5.0	7.0	10	35	60	60	2JX3605
2.0	300	200	125	0.670	0.890	0.312	0.33	0.075	-	8.0	13	19	49	70	70	2JX3270A
2.0	450	300	185	0.670	1.400	0.312	0.15	0.055	-	-	7.0	11	30	70	70	2JX3227A
3.0	250	150	125	0.400	0.750	0.187	0.25	0.023	-	-	-	12	33	70	70	3JX6083A
3.0	250	150	125	0.400	0.690	0.187	0.25	0.02	5.0	11	13	16	34	65	70	3JX3623
3.0	250	150	125	0.670	0.890	0.312	0.25	0.03	5.0	13	15	19	45	70	70	3JX3238
3.0	250	150	125	0.400	0.630	0.312	0.25	0.02	5.0	11	13	15	33	68	70	3JX3222
3.0	300	200	125	0.670	0.890	0.312	0.45	0.03	-	7.0	14	19	43	70	70	3JX6384A
3.0	300	200	125	0.670	0.890	0.312	0.33	0.03	-	-	12	14	43	80	80	3JX3271A
3.0	300	150	125	0.670	0.890	0.312	0.33	0.03	5.0	15	17	22	45	70	70	3JX3252B
3.0	450	300	230	0.670	0.890	0.312	0.15	0.03	-	-	6.0	9.0	35	70	70	3JX3278A
5.0	250	150	125	0.400	0.630	0.312	0.25	0.01	-	11	14	17	32	61	70	5JX3223
5.0	250	150	125	0.400	0.630	0.187	0.25	0.01	-	-	5.0	7.0	28	59	60	5JX3623
5.0	250	150	125	0.400	0.750	0.187	0.25	0.014	4.0	10	13	17	33	70	70	5JX6084A
5.0	300	200	125	0.670	0.890	0.312	0.15	0.013	-	-	-	13	32	69	70	5JX3253A
10	250	150	125	0.670	0.890	0.312	0.25	0.008	-	8.0	12	14	30	60	70	10JX3240
15	300	150	125	0.670	0.890	0.312	0.33	0.004	-	8.0	12	15	30	50	70	15JX3274A

Introduction to feed through EMI Filters	4	DC-RATED FILTERS	
Filter Selection	5	C Circuits	14
Circuit Configurations	6	L1 Circuits.....	15
Installation Guidelines.....	9	L2 Circuits.....	17
Abbreviations and Terms	10	Pi Circuits.....	19
Test Procedures	12	T Circuits.....	21
		LL1, LL2 Circuits.....	22
		AC/DC-RATED FILTERS	
		C Circuits	23
		L1 Circuits.....	24
		L2 Circuits.....	25
		Pi Circuits.....	26
		T Circuits.....	27
		LL1, LL2 Circuits.....	28
		AC-Rated Ceramic EMI Filters.....	29

INTRODUCTION TO FEED THROUGH EMI FILTERS

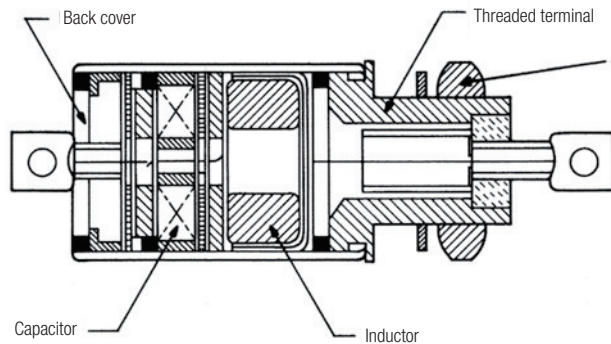
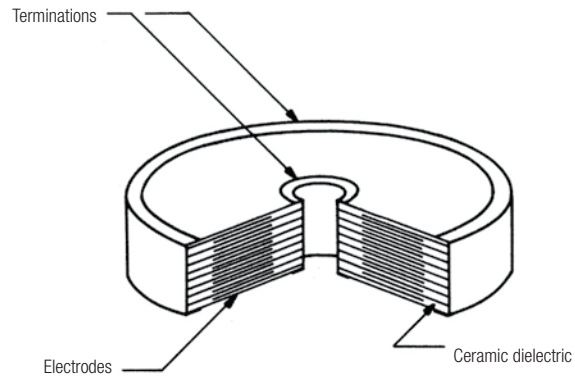
This catalog describes standard Dearborn subminiature feedthrough EMI filters. All the filters in this product line use multilayer ceramic (MLC) capacitors that are coaxially configured. This MONOLYTHIC® ceramic construction was pioneered by Sprague Electric Company, which holds basic patents in this technology. In July of 2000, Dearborn Electronics Inc., purchased this filter line from Sprague.

All MLC capacitors consist of conducting electrodes (plates) separated by a barium titanate dielectric. An MLC capacitor may contain as many as 50 such layers. The coaxial or feedthrough version of the MLC capacitor used in these filters have all positive electrode terminations at the center of the device, and all negative or ground terminations at the outer edge. The capacitors, in this configuration, are capable of providing almost theoretical insertion loss performance when installed in metal cases.

Most of the MLC capacitors used in the filters in this catalog exhibit temperature/capacitance characteristics at least as stable as EIA designation X7R, which limits the capacity change to a maximum of $\pm 15\%$ over the temperature range of -55°C to $+125^{\circ}\text{C}$, referenced to $+25^{\circ}\text{C}$.

All inductors used in the filters described in this catalog are wound on insulated toroidal cores using 200°C rated magnet wire. Most core materials are molybdenum permalloy based. Some designs contain ferrite materials. Performance criteria include the effects of core saturation.

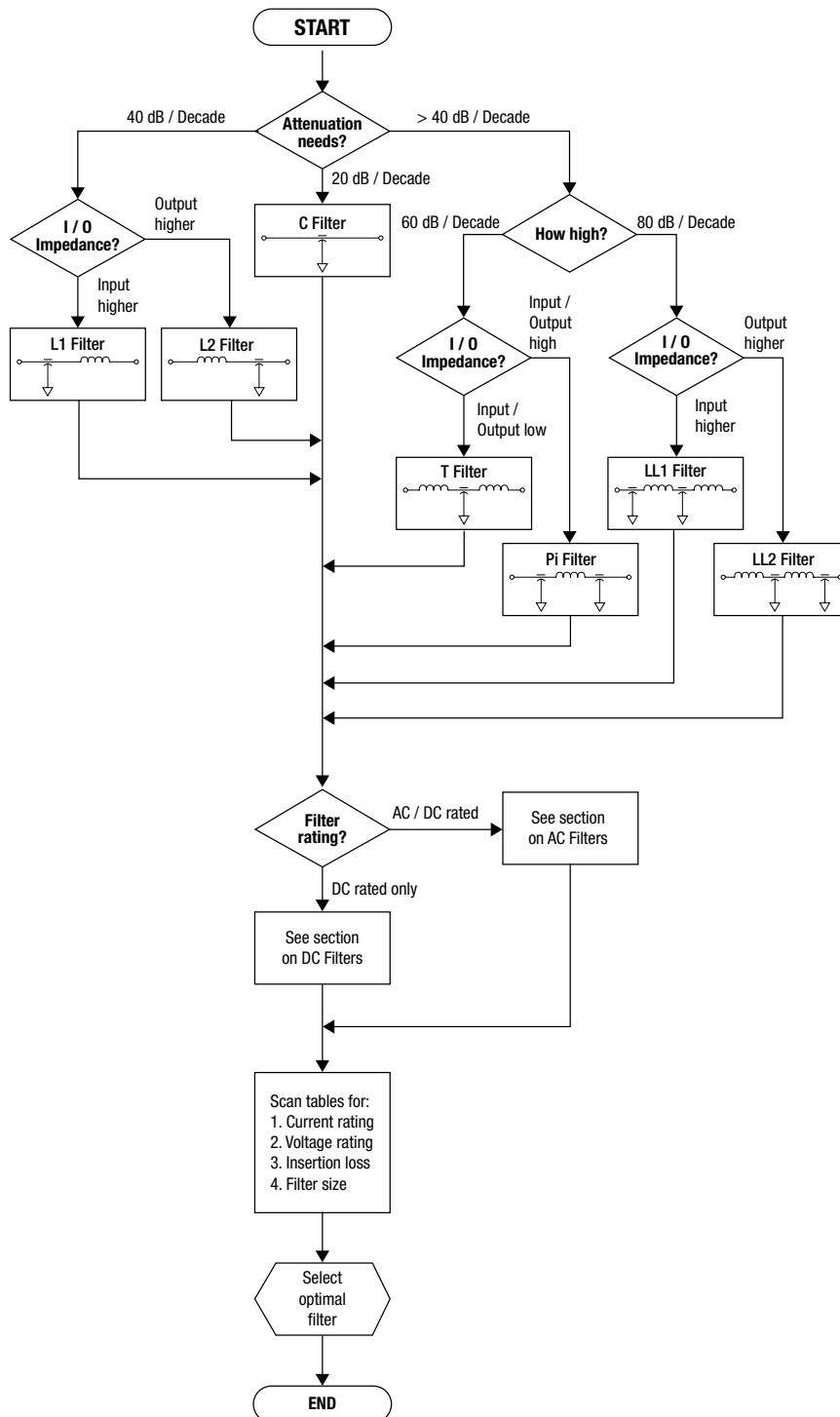
Miscellaneous materials used in these filters are of the highest grade and quality available. The effects of time and temperature on all materials have been matched to yield the highest quality filter component available on the market today.



All filters are supplied with hex nut. Spanner nut available upon request.

FILTER SELECTION

This catalog is designed to simplify filter selection, taking the user from basic needs of voltage, current, and circuit style through the process of specifying a filter part number. The flow chart below illustrates typical selection procedure.



CIRCUIT CONFIGURATIONS

Subminiature filters are passive devices, and their effects are bidirectional. They are all low-pass brute force devices, passing power line frequencies with very low losses while attenuating energy at higher frequencies. They do not differentiate between interference or other electrical energy generated inside or outside a device. They are equally effective in reducing electrical noise going to or coming from a device.

The table below gives operating current and voltage ranges for each of the standard filter configurations shown in this catalog.

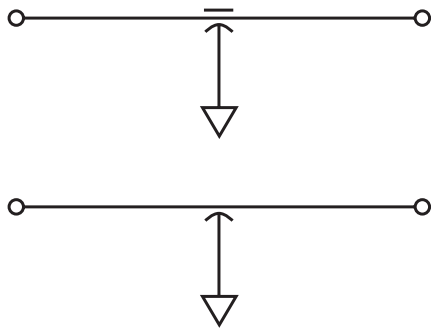
Filter Type	AC/DC-Rated Filters				DC-Rated Filters		
	Current Range (A)	+85°C	+125°C		Current Range (A)	+85°C	+125°C
		(VDC)	(VDC)	(VAC)		(VDC)	(VDC)
C	5.0-15	175-600	100-600	50-230	5.0-15	100-500	50-250
L	0.05-20	100-450	50-300	26-230	0.001-20	100-600	50-300
Pi	0.01-15	150-600	150-300	125-240	0.001-10	100-300	50-200
T	0.06-10	250-500	150-300	125-230	0.06-15	100-300	50-250
LL	0.1-3.0	250	150	125	0.1-3.0	100	50

C-CIRCUIT

A single element, a capacitor from line to ground, with a through wire connecting the input to output. It has attenuation characteristics that increase at 20 dB per decade from its cutoff frequency to at least that frequency where it exhibits a minimum attenuation of 60 dB. It maintains this attenuation at higher frequencies.

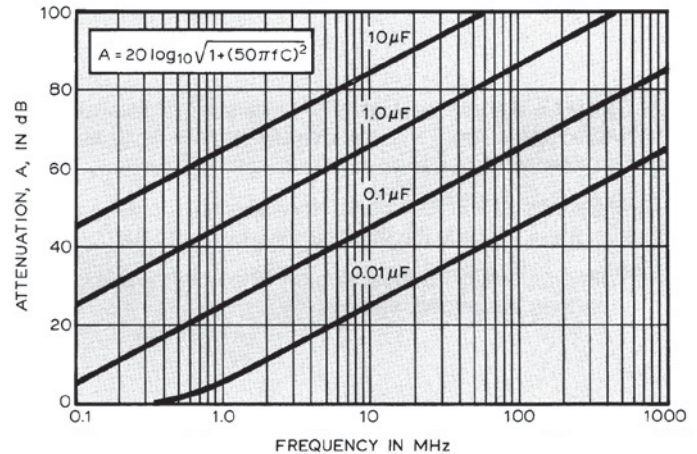
A feedthrough capacitor filter is usually the best choice for filtering lines that exhibit very high impedance. Its schematic symbol and its attenuation characteristics are shown below. A feedthrough capacitor, in this catalog, will be referred to as a **C** filter.

C FILTERS



C-Only Filters are the choice for very high impedance lines.

ATTENUATION CHARACTERISTICS FOR IDEAL CAPACITORS AT 50 Ω IMPEDANCE, PER MIL-STD-220



L CIRCUIT

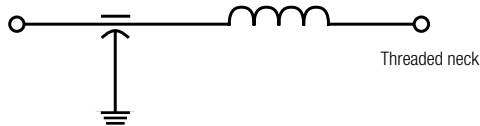
Two elements: a feedthrough capacitor from line to ground, and an inductor connected in series with it between the input and output terminals. The capacitive element can be placed on either the line or load side of the filter, making it either a capacitive or inductive input. Its attenuation increases at 40 dB per decade from its cutoff frequency to at least that frequency where it exhibits a minimum attenuation of 70 dB. It maintains this level at higher frequencies.

Schematic symbols and typical attenuation characteristics are shown below. They are commonly referred to as **L** filters. **L1** indicates that the inductive element is on the end with the threaded mounting neck. **L2** indicates that the capacitive element is on the end with the threaded mounting neck.

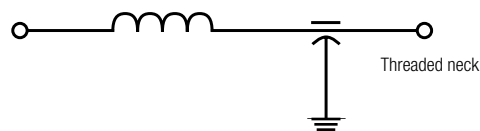
L-Only Filters or LL are used when the difference between line and load impedance is large. The inductive element is best placed so that it faces the lower impedance.

L CIRCUIT FILTERS

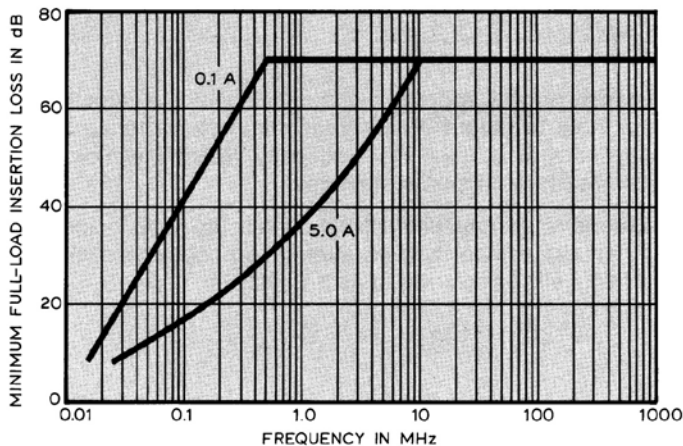
L1



L2



TYPICAL ATTENUATION CHARACTERISTICS



PI CIRCUIT

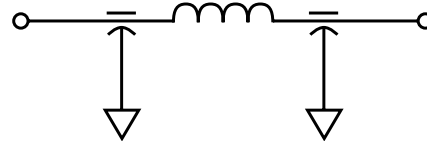
A three-section filter consisting of two feedthrough capacitors to ground with a series inductor between them. The Pi filter is usually symmetrical, as are all the Pi filters in this catalog, but circumstances sometimes warrant use of asymmetrical Pi circuits.

A Pi filter has attenuation characteristics that increase at 60 dB per decade from its cutoff frequency to at least that frequency where it exhibits a minimum attenuation of 80 dB. It maintains this level at higher frequencies.

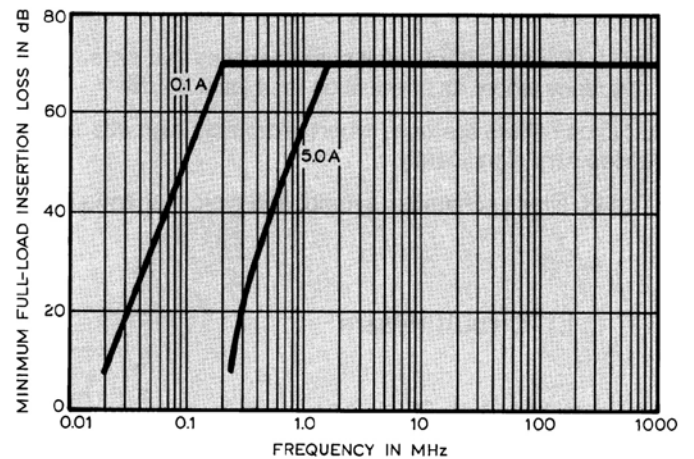
Pi-Only Filters are the choice when high levels of attenuation are required and both the input & output impedances are similar.

The Pi filter's schematic symbol and typical attenuation characteristics are shown below:

PI CIRCUIT FILTERS



TYPICAL ATTENUATION CHARACTERISTICS



CIRCUIT CONFIGURATIONS

T CIRCUIT

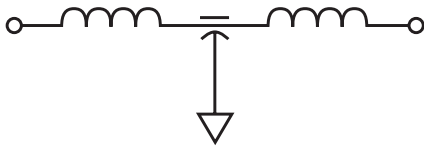
A three-section filter consisting of two series-connected inductors between the input and output terminals, with a feedthrough capacitor between them from line to ground. The T filter is usually symmetrical (identical inductive elements), but circumstances sometimes warrant use of asymmetrical circuits.

A T filter has attenuation characteristics that increase at 60 dB from its cutoff frequency to at least that frequency where it exhibits a minimum attenuation of 60 dB.

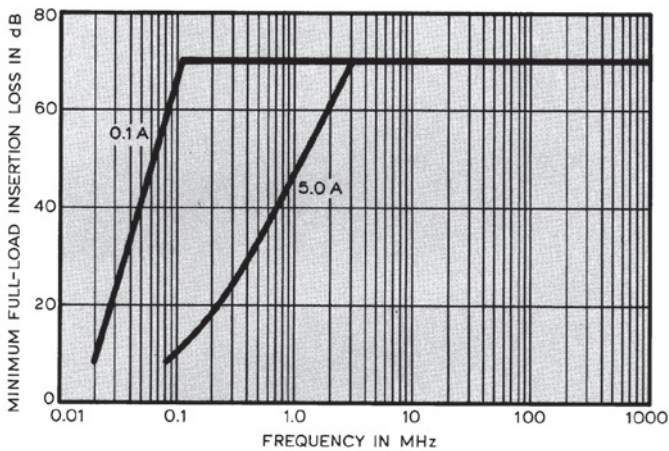
The schematic symbol and typical attenuation characteristics are shown below:

T-Only Filters are the choice when both the input and output impedances are low.

T CIRCUIT FILTERS



TYPICAL ATTENUATION CHARACTERISTICS



LL CIRCUIT

Four-section filter consisting of two feedthrough capacitors connected between line and ground with two interspersed inductors connected in series with them between the input and output terminals. The LL filter is usually made with identical capacitor and inductor elements.

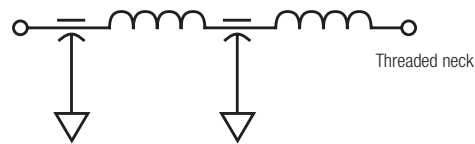
LL1 filters have an inductive element closest to the end with the threaded mounting neck. LL2 filters have a capacitive element adjacent to the end with the threaded mounting neck. An LL filter has attenuation characteristics that increase at 80 dB per decade from its cutoff frequency to that frequency where its attenuation is at least 80 dB.

The LL filter's schematic symbol and typical attenuation characteristics are shown below:

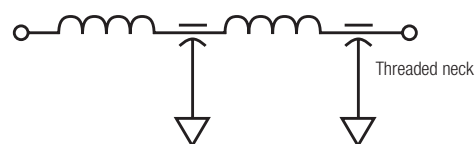
LL-Only Filters should only be selected when extremely high attenuation is required and when the input & output impedances vary significantly.

LL CIRCUIT FILTERS

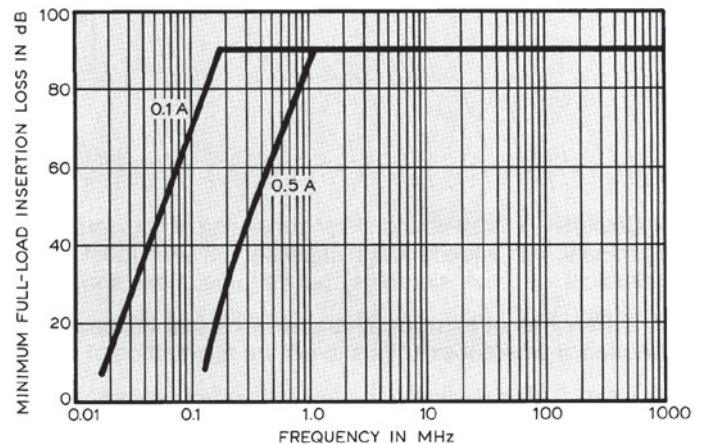
LL1



LL2



TYPICAL ATTENUATION CHARACTERISTICS



INSTALLATION GUIDELINES

WHEN INSTALLING AN EMI FILTER FOR ANY PURPOSE, OBSERVE THESE BASIC RULES:

- The filter's metal case must make direct, low-resistance contact with the metal chassis, cabinet, or groundplane.
- Ground connections should be physically short and should exhibit the lowest possible rf impedance. Never use wires for rf grounds.
- The filter's input and output leads should be physically separated to provide the greatest amount of electrical isolation possible.
- Mount the filter as close as possible to the point power lines egress from the device being filtered. At any point of penetration through the device's electrical shield, make sure the shield's continuity is maintained. In every instance, the preferred installation technique is "bulkhead" mount.
- Maximum installation torque is as follows:

Thread Size	Maximum Torque
$1/4 - 28$	48 in/ounces
$5/16 - 24$	64 in/ounces

ABBREVIATIONS & TERMS

ATTENUATION

The decrease in amplitude of electricity (voltage, current, or power) in the stop-band of a filter, referenced to the amplitude without the filter. It is generally measured at a standard 50 Ω impedance and expressed in decibels (dB).

CONDUCTED INTERFERENCE

Undesirable electrical energy emitted by a device. The interference appears on power, signal, or control leads of the device and disrupts or degrades its performance or that of another device. Limits of conducted interference levels are generally defined by law or regulation.

CONDUCTED SUSCEPTIBILITY

A measure of the interference signal level (voltage or current) on power, signal or control leads required to cause an undesirable response or to degrade performance of a device.

DECADE

A frequency ratio of 10 to 1.

EMI

Electromagnetic interference or unwanted electrical energy in any form.

FILTER

To restrict or control electrical energy over a frequency range, or a device for doing so.

FREQUENCY SUBDIVISIONS

VLF (Very Low)	3kHz to 30kHz
LF (Low)	30kHz to 300kHz
MF (Medium)	300kHz to 3MHz
HF (High)	3MHz to 30MHz
VHF (Very High)	30MHz to 300MHz
UHF (Ultra High)	300MHz to 3GHz
SHF (Super High)	3GHz to 30GHz
EHF (Extremely High)	30GHz to 300GHz

INSERTION LOSS

The decrease in amplitude of electricity (voltage, current, or power) in the pass-band of a filter, referenced to the amplitude without the filter. It is generally measured at a standard 50 Ω impedance and expressed in decibels (dB).

INSULATION RESISTANCE

Or IR, usually the value of the DC resistance from a conducting element to the case of a filter, extrapolated from measurement of DC current flow driven by a pure and precise DC voltage applied between the filter's terminals and its case.

LEAKAGE CURRENT

Or leakage, usually the algebraic sum of reactive currents flowing through the filter's capacitors to ground.

MIL-B-5087

U.S. Government document that specifies bonding, electrical and lightning protection for aerospace systems.

MIL-E-6051

U.S. Government document that specifies electromagnetic compatibility requirements for systems.

MIL-PRF-15733

U.S. Government document for general specification of filters and capacitors for control of radio-frequency interference.

MIL-PRF-28861

U.S. Government document for general specification of filters and capacitors for suppression of radio-frequency and electromagnetic interference.

MIL-HDBK-235 (NAVY)

U.S. Government document that specifies electromagnetic (radiated) environment considerations for design and procurement of electrical and electronic equipment.

MIL-HDBK-237

U.S. Government document that specifies electromagnetic compatibility program requirements.

MIL-STD-202

U.S. Government document that specifies test methods for electronic and electrical components.

MIL-STD-220

U.S. Government document that specifies methods of insertion loss measurement for radio-frequency filters.

MIL-STD-461

U.S. Government document that specifies electromagnetic interference requirements for equipment.

MIL-STD-462

U.S. Government document that specifies measurement of electromagnetic interference characteristics.

MIL-STD-469

U.S. Government document that specifies radar engineering design requirements for electromagnetic compatibility.

NOISE

Generic term for undesirable electrical energy.

OCTAVE

A frequency ratio of 2 to 1.

RADHAZ

Hazard presented by electromagnetic radiation to fuels, electronic hardware, ordnance, or personnel.

RADIATED INTERFERENCE

Undesirable electrical energy that radiates from a device or its leads, coupled for measurement purposes to a standard test antenna and receiver. Limits of radiated interference levels are generally defined by law or regulation.

RADIATED SUSCEPTIBILITY

A measure of radiated interference level required to cause an undesirable response or to degrade the performance of a device.

RADIATION

The emission of energy in the form of electromagnetic waves.

RFI

Radio-frequency interference, an older, somewhat restrictive term generally used interchangeably with "EMI."

RI

Radio interference, an even older and more restrictive term for "EMI."

TEST PROCEDURES

All filters in this catalog are capable of passing the following tests in tables I & II without physical damage or electrical degradation, except as noted. The following documents are applicable to this specification: MIL-STD-202, MIL-STD-220, MIL-PRF-15733, and MIL-PRF-28861.

TABLE I

TEST PROCEDURES

Test	Quality Level/Sample Requirement			Test Method (MIL-STD-202 unless otherwise specified)
	MIL-PRF-15733	MIL-PRF-28861		
		Class B	Class S	
Thermal Shock	100% (Note 1)	100%	100%	Method 107, Condition A (-55°C to +125°C, 5 cycles)
Voltage Conditioning	100% (Note 2)	100%	100%	Per MIL-PRF-28861, or 168 hours at 1.2 x AC voltage rating or 2 x DC rating (Note 3)
Dielectric Withstanding Voltage	1% AQL	100%	100%	Method 301 (2.5 x DC voltage rating)
Insulation Resistance at +25°C	1% AQL	100%	100%	Method 302 (At rated DC voltage)
Capacitance to Ground	1% AQL	100%	100%	Method 305 (1.2 Vrms, maximum, at f=1kHz)
Insertion Loss	1% AQL	100%	100%	MIL-STD-220
DC Resistance	1% AQL	100%	100%	Method 303
DC Voltage Drop	1% AQL	None	None	MIL-PRF-15733, Para. 4.6.8
X-Ray	(Note 4)	100%	100%	Method 209
Case Seal	1% AQL	100%	100%	Method 112 MIL-PRF-15733, Condition A, or MIL-PRF-28861, Conditions A and C
Visual and Mechanical	1% AQL	1% AQL	1% AQL	Per detailed specification
Temperature Rise	4% AQL	None	None	MIL-PRF-15733, Para. 4.6.4
Current Overload	4% AQL	None	None	MIL-PRF-15733, Para. 4.6.10

NOTES:

1. Dearborn performs thermal shock test on all ceramic filters as part of the production process.
2. Dearborn conducts +125°C burn-in Tests on all Military QPL Filters for a minimum of 48 hours at 1.5 x DC voltage rating.
3. Includes +125°C test for insulation resistance during last 50 hours (for MIL-PRF-28861, at 0.2% PDA).
4. Except where selected specification sheets require 100% X-Ray.

TABLE II

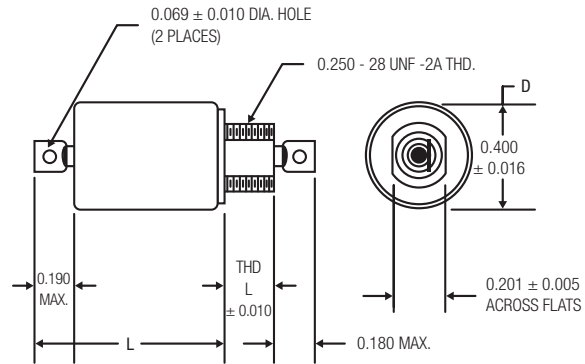
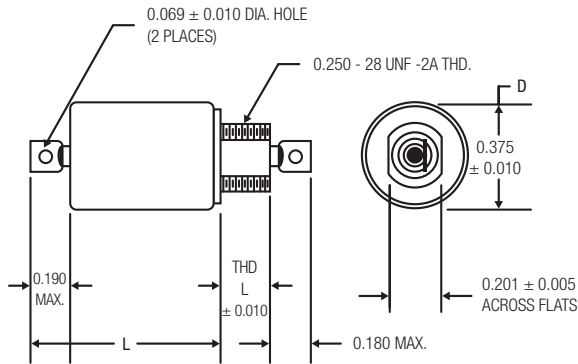
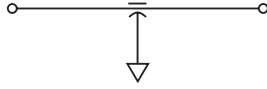
Periodic Test	INSPECTION INTERVAL/ALLOWED FAILURES			Test Method (MIL-STD-202 unless otherwise specified)
	MIL-PRF-15733	MIL-PRF-28861		
		Class B	Class S	
AC Voltage Drop	Not required	90 days, 2 in 25	30 days, 0 in 5	MIL-PRF-28861, Para. 4.6.6
Voltage at Temperature, Capacitance Limits	Not required	90 days, 2 in 25	30 days, 0 in 5	MIL-PRF-28861, Para. 4.6.10
Insertion Loss at Temperature Extremes (Note1)	6 months, 1 in 4	90 days, 2 in 25	30 days, 0 in 5	MIL-PRF-15733, Para. 4.6.9 MIL-PRF-28861, Para. 4.6.5
Operation at Reduced Barometric Pressure (Note1)	6 months, 1 in 4	90 days, 2 in 25	30 days, 0 in 5	Method 105 MIL-PRF-15733,(50,000 ft. simulation) MIL-PRF-28861 (150,000 ft. simulation)
Salt Spray (Corrosion) (Note 1)	6 months, 1 in 4	90 days, 1 in 5	90 days, 0 in 5	Method 101 MIL-PRF-15733, Condition B MIL-PRF-28861, Condition A
Temperature Rise	Not required	90 days, 2 in 25	30 days, 0 in 5	MIL-PRF-28861, Para. 4.6.11
Current Overload	Not required	90 days, 2 in 25	30 days, 0 in 5	MIL-PRF-28861, Para. 4.6.14
Thermal Shock and Immersion (Note 2)	6 months, 1 in 4	90 days, 2 in 25	30 days, 0 in 5	Method 107, Condition A Method 104, Condition A
Resistance to Soldering Heat (Note 2)	6 months, 1 in 4	90 days, 1 in 5	90 days, 0 in 5	Method 210, Condition B
Resistance to Solvents (Note 2)	6 months, 1 in 4	90 days, 1 in 3	90 days, 0 in 3	Method 215
Terminal Strength (Note 2)	6 months, 1 in 4	90 days, 2 in 25	30 days, 0 in 5	Method 211, Condition A (5 lbs.)
Solderability	90 days, 1 in 0	90 days, 1 in 5	90 days, 0 in 5	Method 208
Life Test	90 days, 1 in 10	90 days, 1 in 10	90 days, 0 in 22	Method 108 MIL-PRF-15733, 250 hours MIL-PRF-28861, 1000 hours
Mechanical Shock	6 months, 1 in 4	6 months, 1 in 10	6 months, 0 in 5	Method 213 MIL-PRF-15733, condition K, 30 Gs MIL-PRF-28861, Class B, Condition I, 100 Gs MIL-PRF-28861, Class S, Condition F, 1500 Gs
High-Frequency Vibration	6 months, 1 in 4	6 months, 1 in 10	6 months, 0 in 5	Method 204 MIL-PRF-15733, Condition B, 15 Gs MIL-PRF-28861, Condition E, 50 Gs
Moisture Resistance	6 months, 1 in 4	6 months, 1 in 10	6 months, 0 in 5	Method 106
Destructive Physical Analysis	Not required	Not required	90 days	MIL-PRF-28861, Appendix B, 2 pieces

NOTES:

1. MIL-PRF-15733 allows one failure in four as a result of three tests: Insertion Loss, Barometric Pressure, Salt Spray.
2. MIL-PRF-15733 allows one failure in four as a result of four tests: Thermal Shock/Immersion, Resistance to Soldering Heat, Resistance to Solvents, Terminal Strength.

DC-RATED CERAMIC EMI-RFI FILTERS

C (20 dB / DECADE)

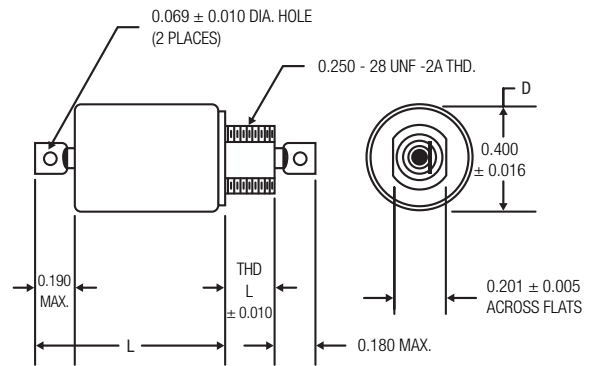
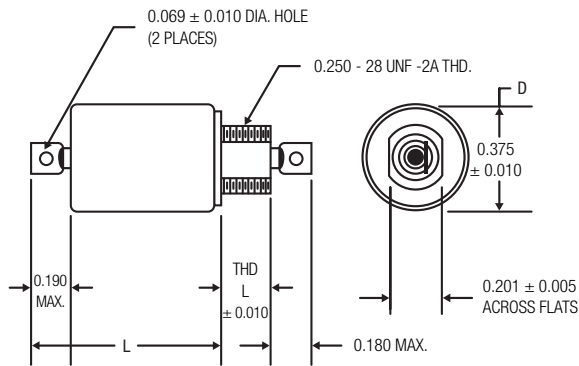
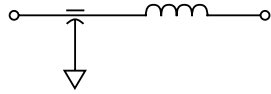


Current Rating (A)	DC Voltage Rating		D (in.)	Max. L (in.)	Thd. L (in.)	Min. Cap. (µF)	Max. R _{DC} (Ω)	Minimum Insertion Loss +25°C per MIL-STD-220							Dearborn Part Number
	@85°C (V)	@125°C (V)						30kHz (dB)	75kHz (dB)	100kHz (dB)	150kHz (dB)	1MHz (dB)	10MHz (dB)	1GHz (dB)	
7.0	100	50	0.400	0.440	0.187	0.75	0.01	8.0	14	16	20	37	50	60	7JX2503
7.0	100	50	0.400	0.440	0.187	0.75	0.01	10	18	20	24	40	55	60	7JX2502
7.0	100	50	0.400	0.440	0.187	0.25	0.01	-	7.0	10	13	30	50	60	7JX2501
7.0	100	50	0.400	0.440	0.312	0.75	0.01	8.0	14	16	20	37	50	60	7JX2103
7.0	100	50	0.400	0.440	0.312	0.75	0.01	10	18	20	24	40	55	70	7JX2102
7.0	100	50	0.400	0.440	0.312	0.25	0.01	-	8.0	12	15	30	50	60	7JX2101
7.0	250	150	0.400	0.440	0.187	0.25	0.01	5.0	12	14	17	32	50	60	7JX2505
7.0	250	150	0.400	0.440	0.312	0.25	0.01	-	7.0	10	13	30	50	60	7JX2105
7.0	300	200	0.400	0.440	0.312	0.15	0.01	-	-	-	6.0	21	40	60	7JX2104
10	100	50	0.375	0.550	0.187	1.5	0.004	15	22	26	30	43	60	70	10JX2569
15	100	50	0.375	0.350	0.187	0.5	0.004	7.0	15	17	21	37	47	70	15JX2541A
15	100	50	0.375	0.370	0.187	1.5	0.004	15	24	27	30	46	60	70	15JX2531
15	100	50	0.400	0.370	0.187	1.5	0.004	15	24	27	30	46	60	70	15JX2529
15	100	50	0.400	0.440	0.312	1.5	0.004	15	24	27	30	46	60	70	15JX2151
15	100	50	0.375	0.690	0.312	3.0	0.004	25	32	35	38	53	67	70	15JX2111
15	175	100	0.400	0.580	0.312	1.0	0.004	14	22	24	28	44	60	70	15JX2124
15	175	100	0.400	0.580	0.187	1.0	0.004	11	18	21	24	41	49	70	15JX2587
15	250	150	0.400	0.780	0.312	0.25	0.004	-	8.0	12	15	30	50	70	15JX3119
15	250	150	0.400	0.370	0.187	0.25	0.004	-	10	13	16	31	50	60	15JX2588

DC-RATED CERAMIC EMI-RFI FILTERS

L1 (40 dB/DECADE)

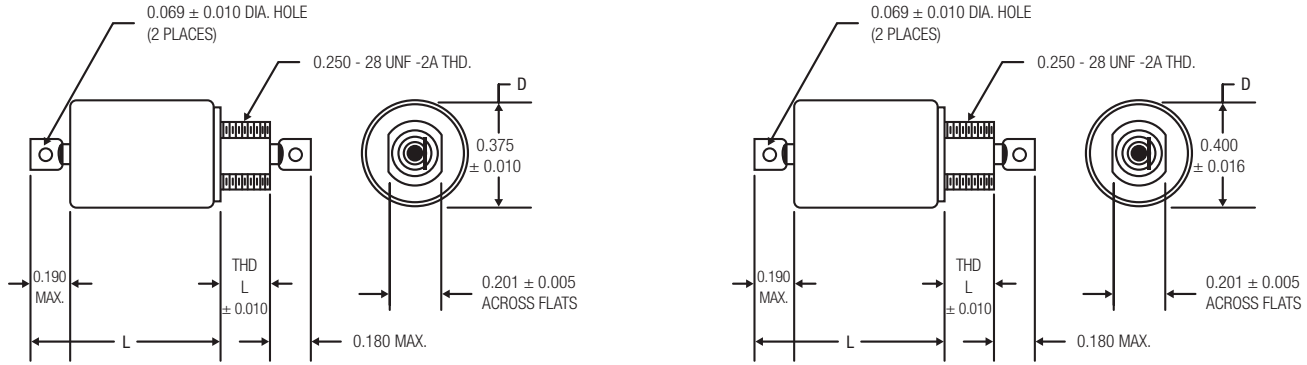
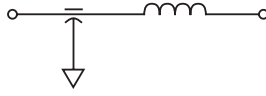
L1 (40 dB / DECADE)



Current Rating (A)	DC Voltage Rating		D (in.)	Max. L (in.)	Thd. L (in.)	Min. Cap. (µF)	Max. R _{DC} (Ω)	Minimum Insertion Loss +25°C per MIL-STD-220						Dearborn Part Number	
	@85°C (V)	@125°C (V)						30kHz (dB)	75kHz (dB)	100kHz (dB)	150kHz (dB)	1MHz (dB)	10MHz (dB)		1GHz (dB)
0.1	100	50	0.400	0.630	0.312	0.25	1.65	9.0	23	29	39	70	70	70	1JX2206
0.1	100	50	0.400	0.630	0.312	0.75	1.7	20	35	41	48	70	70	70	1JX2203
0.1	100	50	0.400	0.630	0.187	0.75	1.7	20	35	41	48	70	70	70	1JX2603
0.1	100	50	0.375	0.730	0.312	1.5	2.23	26	43	48	54	80	80	80	1JX6221A
0.1	100	50	0.375	0.730	0.187	1.5	2.23	26	43	48	54	80	80	80	1JX6201A
0.1	200	100	0.400	0.630	0.312	0.25	1.7	11	26	32	39	60	60	60	1JX2205
0.1	200	100	0.400	0.630	0.187	0.25	1.7	11	26	32	39	60	60	60	1JX2605
0.1	200	100	0.400	0.630	0.187	0.0012	0.7	-	-	-	4.0	22	52	70	1JX6408A
0.1	300	150	0.400	0.630	0.312	0.15	1.65	6.0	20	24	33	60	60	60	1JX2204
0.15	100	50	0.375	0.740	0.312	1.5	1.75	24	39	45	48	70	70	70	1JX2252E
0.15	100	50	0.400	0.760	0.312	1.5	1.5	25	40	46	51	70	70	70	1JX2252C
0.15	100	50	0.375	0.740	0.312	1.5	1.35	24	39	44	51	80	80	80	1JX6063A
0.15	100	50	0.375	0.740	0.187	1.5	1.35	8.0	15	18	22	50	70	70	1JX6061A
0.25	175	100	0.400	0.740	0.187	0.5	0.75	-	25	29	37	70	80	80	1JX6065A
0.3	100	50	0.400	0.630	0.312	0.75	0.7	15	31	35	42	70	70	70	1JX2213
0.3	100	50	0.400	0.630	0.187	0.75	0.75	15	31	35	42	70	70	70	1JX2613
0.3	200	100	0.400	0.630	0.312	0.25	0.7	6.0	22	25	32	60	60	60	1JX2215
0.3	200	100	0.400	0.630	0.187	0.25	0.75	6.0	22	25	32	60	60	60	1JX2615
0.45	100	50	0.375	0.760	0.312	1.5	0.7	16	34	37	42	70	70	70	1JX2255E
0.45	100	50	0.400	0.770	0.187	1.5	0.45	20	33	39	45	70	70	70	1JX6085A
0.45	100	50	0.375	0.740	0.312	1.5	0.7	18	33	35	44	76	80	80	1JX6064A
0.45	100	50	0.375	0.740	0.187	1.5	0.7	18	33	35	44	76	80	80	1JX6062A
0.5	100	50	0.400	0.630	0.312	0.75	0.35	12	25	29	36	69	70	70	1JX2223
0.5	100	50	0.400	0.630	0.187	0.75	0.35	12	25	29	36	69	70	70	1JX2623
0.5	150	100	0.400	0.800	0.187	0.5	0.5	11	24	31	37	70	80	80	1JX6077A
0.5	200	100	0.400	0.630	0.312	0.25	0.35	3.0	15	20	26	59	60	60	1JX2225
0.5	200	100	0.400	0.630	0.187	0.25	0.35	3.0	15	20	26	59	60	60	1JX2625
0.5	200	150	0.400	0.750	0.187	0.25	0.5	-	16	24	28	60	70	70	1JX6081A
1.0	100	50	0.400	0.630	0.312	0.75	0.14	11	18	21	26	55	70	70	1JX2233
1.0	100	50	0.400	0.630	0.187	0.75	0.14	11	18	21	26	55	70	70	1JX2633
1.0	100	50	0.400	0.570	0.187	1.5	0.2	15	24	30	36	65	70	70	1JX6130B
1.0	100	50	0.400	0.630	0.187	1.5	0.14	15	24	29	34	64	70	70	1JX6094A
1.0	100	50	0.400	0.800	0.187	0.75	0.3	-	24	53	66	68	70	70	1JX6015A

DC-RATED CERAMIC EMI-RFI FILTERS

L1 (40 dB / DECADE)

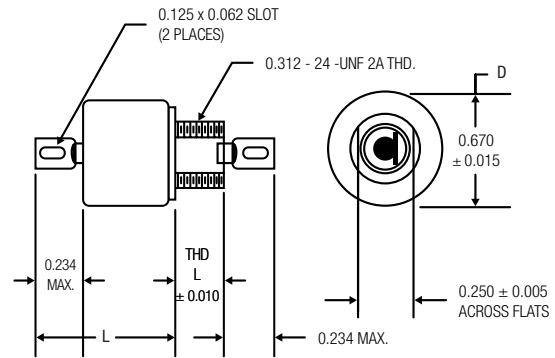
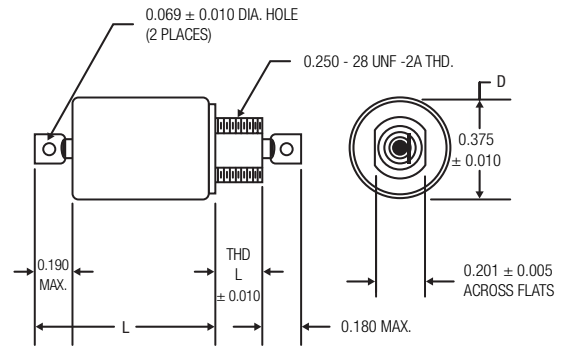
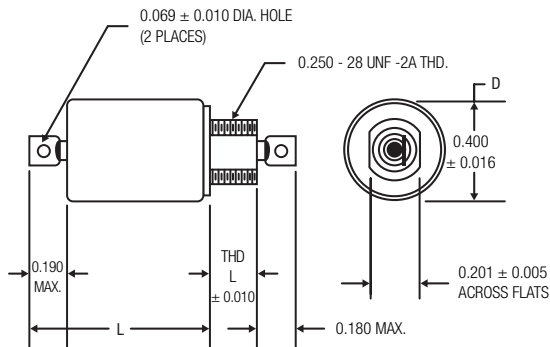
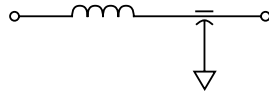


Current Rating (A)	DC Voltage Rating		D (in.)	Max. L (in.)	Thd. L (in.)	Min. Cap. (µF)	Max. R _{DC} (Ω)	Minimum Insertion Loss +25°C per MIL-STD-220							Dearborn Part Number
	@85°C (V)	@125°C (V)						30kHz (dB)	75kHz (dB)	100kHz (dB)	150kHz (dB)	1MHz (dB)	10MHz (dB)	1GHz (dB)	
1.0	150	100	0.400	0.800	0.187	0.5	0.24	8.0	16	23	28	61	70	80	1JX6078A
1.0	175	100	0.400	0.770	0.187	0.5	0.14	-	-	-	24	54	80	80	1JX6066A
1.0	200	100	0.400	0.630	0.312	0.25	0.14	3.0	9.0	12	16	46	60	60	1JX2235
1.0	200	100	0.400	0.630	0.187	0.25	0.14	3.0	9.0	12	16	46	60	60	1JX2635
1.0	250	150	0.400	0.750	0.187	0.25	0.24	-	12	14	20	52	80	80	1JX6082A
1.0	300	150	0.400	0.630	0.187	0.15	0.135	-	5.0	8.0	11	43	60	60	1JX2634
2.0	100	50	0.400	0.630	0.312	0.75	0.06	10	15	20	24	48	70	70	2JX2243
2.0	100	50	0.400	0.630	0.187	0.75	0.06	10	15	20	24	48	70	70	2JX2643
2.0	100	50	0.400	0.630	0.187	0.25	0.055	4.0	9.0	11	15	40	60	60	2JX2641
2.0	200	100	0.400	0.630	0.312	0.25	0.06	3.0	8.0	11	15	38	60	60	2JX2245
2.0	200	100	0.400	0.630	0.187	0.25	0.06	3.0	8.0	11	15	38	60	60	2JX2645
2.0	300	150	0.400	0.630	0.187	0.1	0.055	-	4.0	5.0	8.0	40	60	60	2JX2644
2.0	300	150	0.400	0.630	0.312	0.1	0.055	-	4.0	5.0	8.0	40	60	60	2JX2244
3.0	100	70	0.400	0.630	0.187	0.75	0.02	-	16	18	22	42	70	70	3JX6160A
3.0	175	100	0.400	0.800	0.187	0.5	0.023	-	13	15	19	43	70	70	3JX6079A
5.0	100	50	0.400	0.630	0.312	0.75	0.01	11	18	21	24	39	70	70	5JX2293
5.0	100	50	0.400	0.630	0.187	0.75	0.01	11	18	21	24	39	70	70	5JX2693
5.0	100	50	0.375	0.790	0.187	1.5	0.015	15	25	27	30	45	60	70	5JX6022A
5.0	100	50	0.400	0.760	0.187	1.5	0.01	16	24	26	30	48	70	70	5JX2678
5.0	175	85	0.400	0.770	0.187	0.5	0.01	8.0	14	17	20	38	60	70	5JX6067A
5.0	175	85	0.400	0.800	0.187	0.5	0.01	6.0	14	16	20	36	64	70	5JX6045A
5.0	200	100	0.400	0.630	0.312	0.25	0.01	-	11	14	17	32	61	70	5JX2295
5.0	200	100	0.400	0.630	0.187	0.25	0.01	-	11	14	17	32	61	70	5JX2695
10	100	50	0.375	0.730	0.187	1.5	0.004	15	22	26	30	43	60	70	10JX2548A
10	100	50	0.375	0.385	0.187	1.5	0.004	18	26	28	32	46	54	70	10JX2117
10	100	50	0.375	0.730	0.312	1.5	0.004	16	22	26	30	43	60	70	10JX2112A
10	100	50	0.400	0.440	0.187	1.5	0.008	15	24	27	30	46	60	70	10JX6292
10	100	50	0.375	0.760	0.187	1.5	0.004	15	24	27	30	46	60	70	10JX6043A
10	175	100	0.375	0.385	0.187	0.5	0.004	8.0	16	18	20	38	55	70	10JX2545
15	100	50	0.400	0.370	0.187	0.75	0.004	8.0	17	18	20	38	54	70	15JX2589
15	100	50	0.375	0.370	0.187	1.5	0.0025	16	24	27	28	44	58	70	15JX2543
15	100	50	0.400	0.370	0.187	1.5	0.004	15	24	27	30	46	60	70	15JX2527
15	100	50	0.375	0.370	0.312	1.5	0.004	15	24	27	30	46	60	70	15JX2143
20	100	50	0.375	0.550	0.187	1.5	0.002	15	24	26	30	46	55	70	20JX2584A

DC-RATED CERAMIC EMI-RFI FILTERS

L2 (40 dB/DECADE)

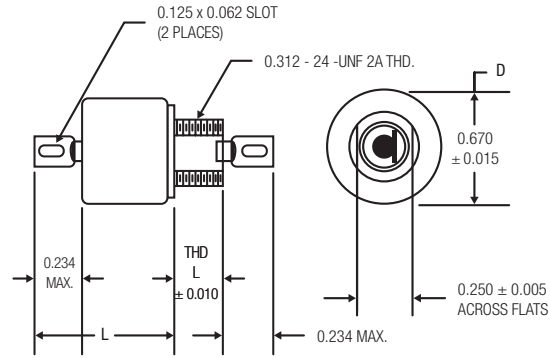
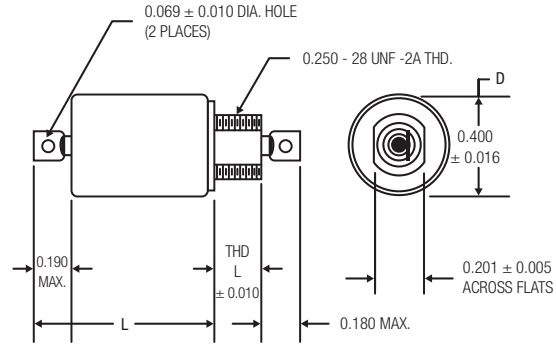
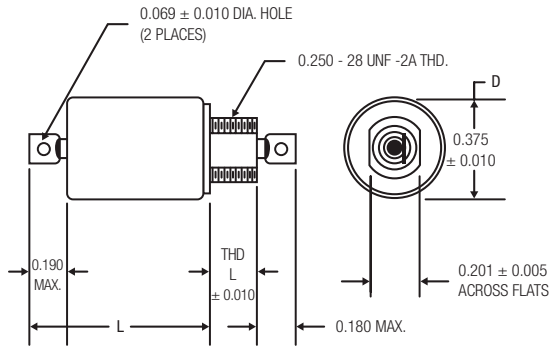
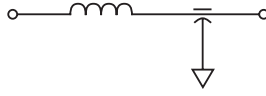
L2 (40 dB / DECADE)



Current Rating (A)	DC Voltage Rating		D (in.)	Max. L (in.)	Thd. L (in.)	Min. Cap. (µF)	Max. R _{DC} (Ω)	Minimum Insertion Loss +25°C per MIL-STD-220						Dearborn Part Number	
	@85°C (V)	@125°C (V)						30kHz (dB)	75kHz (dB)	100kHz (dB)	150kHz (dB)	1MHz (dB)	10MHz (dB)		1GHz (dB)
0.1	100	50	0.400	0.630	0.312	0.75	1.7	20	35	41	48	70	70	70	1JX2208
0.1	100	50	0.400	0.630	0.187	0.75	1.7	20	35	41	48	70	70	70	1JX2608
0.1	100	50	0.400	0.760	0.187	0.75	1.9	24	40	46	51	70	80	80	1JX6017A
0.1	100	50	0.375	0.730	0.312	1.5	2.23	26	43	48	54	80	80	80	1JX6221B
0.1	100	50	0.375	0.730	0.187	1.5	2.23	26	43	48	54	80	80	80	1JX6201B
0.1	200	100	0.400	0.630	0.312	0.25	1.7	11	26	32	39	60	60	60	1JX2210
0.1	200	100	0.400	0.630	0.187	0.25	1.7	11	26	32	39	60	60	60	1JX2610
0.15	100	50	0.375	0.740	0.312	1.5	1.35	24	39	44	51	80	80	80	1JX6063B
0.15	100	50	0.375	0.740	0.187	1.5	1.35	24	39	44	51	80	80	80	1JX6061B
0.25	175	100	0.400	0.770	0.187	0.5	0.75	-	25	29	37	70	80	80	1JX6065B
0.3	100	50	0.400	0.630	0.312	0.75	0.75	15	31	35	42	70	70	70	1JX2218
0.3	100	50	0.400	0.630	0.187	0.75	0.75	15	31	35	42	70	70	70	1JX2618
0.3	200	100	0.400	0.630	0.312	0.25	0.75	6.0	22	25	32	60	60	60	1JX2220
0.3	200	100	0.400	0.630	0.187	0.25	0.75	6.0	22	25	32	60	60	60	1JX2620
0.3	200	100	0.400	0.630	0.187	0.25	0.7	6.0	22	25	32	60	60	60	1JX2616
0.45	100	50	0.375	0.740	0.312	1.5	0.6	18	33	35	44	76	80	80	1JX6064B
0.45	100	50	0.375	0.730	0.187	1.5	0.7	18	33	35	44	76	80	80	1JX6062B
0.45	100	50	0.400	0.770	0.187	1.5	0.45	20	33	39	45	70	70	70	1JX6085B
0.5	100	50	0.400	0.630	0.312	0.75	0.35	12	25	29	36	69	70	70	1JX2228
0.5	100	50	0.400	0.630	0.187	0.75	0.35	12	25	29	36	69	70	70	1JX2628
0.5	150	100	0.400	0.740	0.187	1.0	0.2	13	23	28	33	64	70	70	1JX6090B
0.5	150	75	0.400	0.800	0.187	0.5	0.5	11	24	31	37	70	80	80	1JX6077B
0.5	200	100	0.400	0.630	0.312	0.25	0.35	3.0	15	20	26	59	70	70	1JX2230
0.5	200	100	0.400	0.630	0.187	0.25	0.35	3.0	15	20	26	59	60	60	1JX2630
0.5	200	150	0.400	0.750	0.187	0.25	0.5	-	16	24	28	60	70	70	1JX6081B
1.0	100	50	0.400	0.630	0.312	0.75	0.14	11	18	21	26	55	70	70	1JX2238
1.0	100	50	0.400	0.630	0.187	0.75	0.14	11	18	21	26	55	70	70	1JX2638
1.0	100	50	0.400	0.760	0.187	1.5	0.025	17	28	30	35	70	80	80	1JX6068B
1.0	150	75	0.400	0.800	0.187	0.5	0.24	8.0	16	23	28	61	70	80	1JX6078B
1.0	175	100	0.400	0.770	0.187	0.5	0.14	-	-	-	24	54	80	80	1JX6066B
1.0	175	100	0.670	1.140	0.312	1.0	0.60	16	32	37	43	70	70	70	1JX6111B

DC-RATED CERAMIC EMI-RFI FILTERS

L2 (40 dB / DECADE)

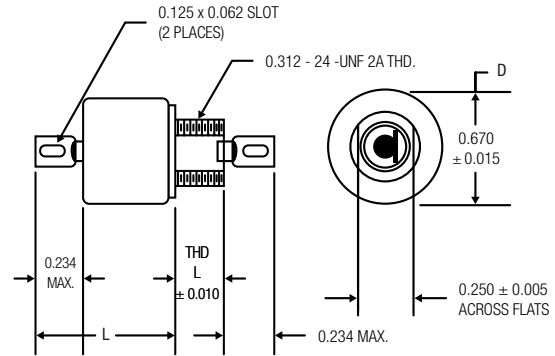
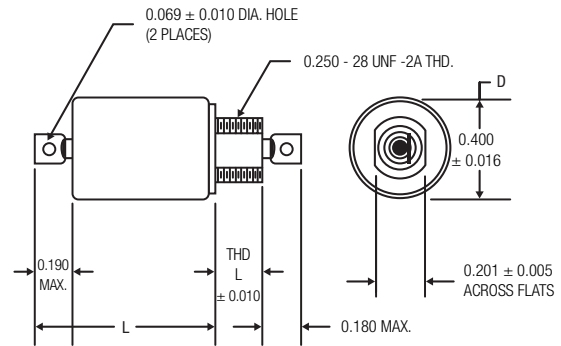
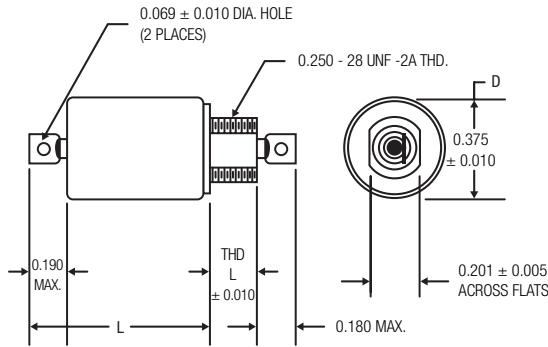
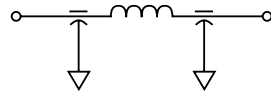


Current Rating (A)	DC Voltage Rating		D (in.)	Max. L (in.)	Thd. L (in.)	Min. Cap. (µF)	Max. R _{DC} (Ω)	Minimum Insertion Loss +25°C per MIL-STD-220							Dearborn Part Number
	@85°C (V)	@125°C (V)						30kHz (dB)	75kHz (dB)	100kHz (dB)	150kHz (dB)	1MHz (dB)	10MHz (dB)	1GHz (dB)	
1.0	200	100	0.400	0.630	0.312	0.25	0.14	3.0	9.0	12	16	46	60	60	1JX2240
1.0	200	100	0.400	0.630	0.187	0.25	0.14	3.0	9.0	12	16	46	60	60	1JX2640
1.0	250	150	0.400	0.750	0.187	0.25	0.24	-	12	14	20	52	80	80	1JX6082B
1.0	300	150	0.400	0.630	0.187	0.15	0.135	-	5.0	8.0	11	43	60	60	1JX2639
2.0	100	50	0.400	0.630	0.312	0.75	0.06	10	15	20	24	48	70	70	2JX2248
2.0	100	50	0.400	0.630	0.187	0.75	0.06	10	15	20	24	48	70	70	2JX2648
2.0	100	50	0.400	0.760	0.187	1.5	0.063	14	22	25	30	56	70	70	2JX6131B
2.0	100	50	0.400	0.630	0.187	0.25	0.055	4.0	9.0	11	15	40	60	60	2JX2646
2.0	100	50	0.400	0.630	0.312	0.1	0.055	-	4.0	5.0	8.0	40	60	60	2JX2249
2.0	200	100	0.400	0.630	0.312	0.25	0.06	3.0	8.0	11	15	38	60	60	2JX2250
2.0	200	100	0.400	0.630	0.187	0.25	0.06	3.0	8.0	11	15	38	60	60	2JX2650
2.0	300	150	0.400	0.630	0.187	0.15	0.055	10	15	20	24	48	70	70	2JX2649
3.0	100	70	0.400	0.630	0.187	0.75	0.02	-	16	18	22	42	70	70	3JX6160B
3.0	175	100	0.400	0.800	0.187	0.5	0.023	-	13	15	19	43	70	70	3JX6079B
3.0	300	200	0.400	0.890	0.187	0.4	0.026	5.0	11	15	18	34	60	70	3JX3621B
4.0	250	150	0.670	0.900	0.312	0.25	0.012	-	-	9.0	13	33	70	70	4JX6142B
5.0	100	50	0.400	0.630	0.312	0.75	0.01	11	18	21	24	39	70	70	5JX2298
5.0	100	50	0.400	0.630	0.187	0.75	0.01	11	18	21	24	39	70	70	5JX2698
5.0	100	50	0.375	0.790	0.187	1.5	0.015	15	25	27	30	45	60	70	5JX6022B
5.0	175	85	0.400	0.800	0.187	0.5	0.014	8.0	14	17	20	38	60	70	5JX6080B
5.0	175	85	0.400	0.770	0.187	0.5	0.01	8.0	14	17	20	38	60	70	5JX6067B
5.0	175	85	0.400	0.800	0.187	0.5	0.01	6.0	14	16	20	36	64	70	5JX6045B
5.0	200	100	0.400	0.630	0.312	0.25	0.01	-	11	14	17	32	61	70	5JX2290
5.0	200	100	0.400	0.630	0.187	0.25	0.01	-	11	14	17	32	61	70	5JX2690
10	100	50	0.375	0.740	0.187	1.5	0.004	15	22	26	30	43	60	70	10JX2554B
10	100	50	0.375	0.740	0.312	1.5	0.004	15	21	25	28	42	56	70	10JX2115B
10	100	50	0.375	0.730	0.187	1.5	0.004	15	22	26	30	43	60	70	10JX2548B
10	100	50	0.375	0.730	0.312	1.5	0.004	16	22	26	30	43	60	70	10JX2112B
10	175	100	0.400	0.820	0.187	1.0	0.007	10	20	23	26	38	44	70	10JX6026B
10	300	200	0.400	0.820	0.312	0.32	0.003	4.0	12	14	18	33	45	70	10JX6124B

DC-RATED CERAMIC EMI-RFI FILTERS

Pi (60 dB/DECADE)

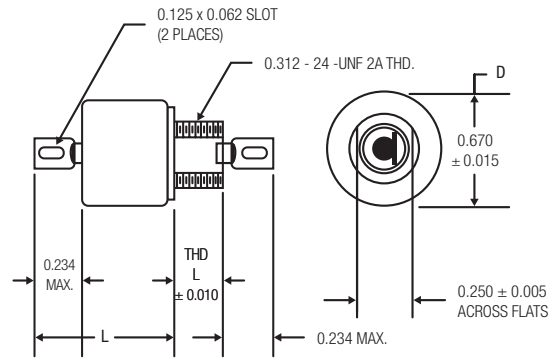
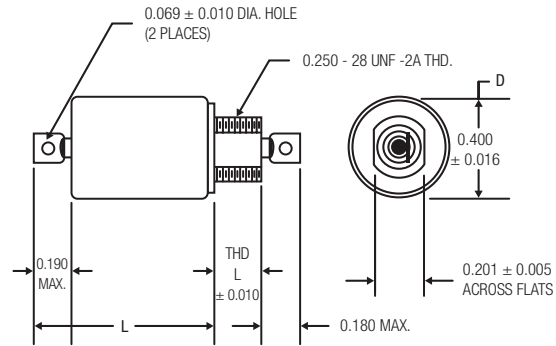
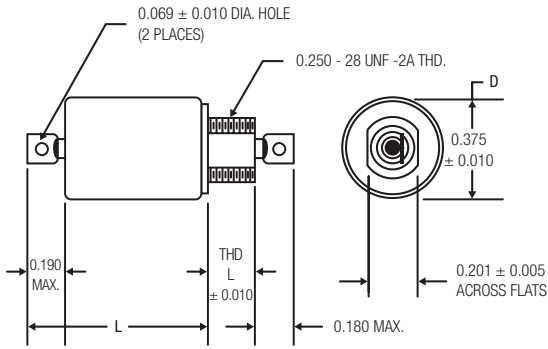
Pi (60 dB / DECADE)



Current Rating (A)	DC Voltage Rating		D (in.)	Max. L (in.)	Thd. L (in.)	Min. Cap. (μF)	Max. R _{DC} (Ω)	Minimum Insertion Loss +25°C per MIL-STD-220						Dearborn Part Number	
	@85°C (V)	@125°C (V)						30kHz (dB)	75kHz (dB)	100kHz (dB)	150kHz (dB)	1MHz (dB)	10MHz (dB)		1GHz (dB)
0.1	100	50	0.400	0.730	0.312	1.5	1.7	36	60	69	79	80	80	80	1JX2303
0.1	100	50	0.400	0.730	0.187	1.5	1.7	36	60	69	79	80	80	80	1JX2703
0.1	100	50	0.400	0.760	0.187	1.5	3.5	46	67	70	70	70	70	70	1JX2746
0.1	200	100	0.400	0.730	0.312	0.5	1.7	17	42	49	60	70	70	70	1JX2305
0.1	200	100	0.400	0.730	0.187	0.5	1.7	17	42	49	60	70	70	70	1JX2705
0.1	250	150	0.400	0.730	0.187	0.4	1.65	25	48	50	60	80	80	80	1JX2749
0.25	150	100	0.375	0.760	0.187	1.0	2.3	28	52	60	70	70	70	70	1JX2776
0.25	150	100	0.400	0.800	0.187	1.0	0.75	23	49	57	67	80	80	80	1JX2793
0.25	200	150	0.400	0.760	0.312	0.5	0.685	-	30	38	48	80	80	80	1JX2353
0.25	300	150	0.400	0.730	0.187	0.3	0.7	-	19	27	35	70	70	70	1JX2709
0.3	100	50	0.400	0.730	0.312	1.5	0.75	29	55	62	73	80	80	80	1JX2308
0.3	100	50	0.400	0.730	0.187	1.5	0.75	29	55	62	73	80	80	80	1JX2708
0.3	200	100	0.400	0.730	0.312	0.5	0.75	8.0	34	43	53	70	70	70	1JX2310
0.3	200	100	0.400	0.730	0.187	0.5	0.75	8.0	34	43	53	70	70	70	1JX2710
0.3	300	150	0.400	0.730	0.312	0.3	0.7	3.0	24	32	42	80	80	80	1JX2309
0.5	100	50	0.400	0.730	0.312	1.5	0.5	21	47	56	67	80	80	80	1JX2313
0.5	100	50	0.400	0.730	0.187	1.5	0.35	21	47	56	67	80	80	80	1JX2713
0.5	150	100	0.375	0.760	0.187	1.0	1.0	18	40	49	59	70	70	70	1JX2777
0.5	175	100	0.400	0.800	0.187	1.0	0.35	-	32	40	50	70	70	70	1JX2770
0.5	200	100	0.400	0.730	0.312	0.5	0.35	-	28	37	48	70	70	70	1JX2315
0.5	200	100	0.400	0.730	0.187	0.5	0.35	-	28	37	48	70	70	70	1JX2715
0.7	100	50	0.400	0.860	0.187	1.8	1.4	22	36	41	48	70	80	80	1JX6400
1.0	100	50	0.400	0.730	0.312	1.5	0.135	-	35	41	52	80	80	80	1JX2318
1.0	100	50	0.400	0.730	0.187	1.5	0.14	-	35	41	52	80	80	80	1JX2718
1.0	100	50	0.670	1.220	0.312	1.5	0.5	31	56	64	74	80	80	80	1JX2360
1.0	100	50	0.670	1.170	0.312	1.5	0.5	41	66	73	80	80	80	80	1JX2337
1.0	150	100	0.375	0.760	0.187	1.0	0.25	-	22	32	48	70	70	70	1JX2778
1.0	175	100	0.400	0.800	0.187	1.0	0.15	-	32	40	50	70	70	70	1JX2771
1.0	200	100	0.400	0.730	0.312	0.5	0.14	-	5.0	18	32	70	70	70	1JX2320
1.0	200	100	0.400	0.730	0.187	0.5	0.14	-	5.0	18	32	70	70	70	1JX2720
2.0	100	50	0.400	0.730	0.312	1.5	0.06	-	23	33	46	80	80	80	2JX2323
2.0	100	50	0.400	0.730	0.187	1.5	0.055	-	23	33	46	80	80	80	2JX2723
2.0	100	50	0.400	0.920	0.187	0.5	0.055	-	-	5.0	26	48	70	70	2JX2721
2.0	100	50	0.670	1.220	0.312	1.5	0.15	-	42	52	60	70	70	70	2JX2361

DC-RATED CERAMIC EMI-RFI FILTERS

Pi (60 dB / DECADE)

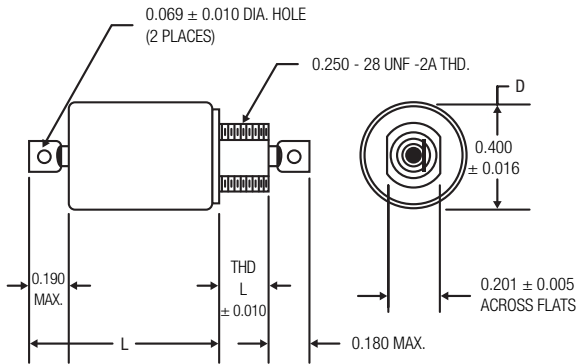
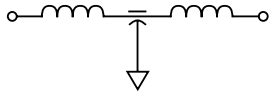


Current Rating (A)	DC Voltage Rating		D (in.)	Max. L (in.)	Thd. L (in.)	Min. Cap. (µF)	Max. R _{DC} (Ω)	Minimum Insertion Loss +25°C per MIL-STD-220							Dearborn Part Number
	@85°C (V)	@125°C (V)						30kHz (dB)	75kHz (dB)	100kHz (dB)	150kHz (dB)	1MHz (dB)	10MHz (dB)	1GHz (dB)	
2.0	100	50	0.400	0.800	0.312	1.5	0.07	-	32	39	50	70	70	70	2JX2359
2.0	100	50	0.400	0.730	0.312	0.5	0.055	-	-	5.0	26	48	70	70	2JX2321
2.0	150	100	0.400	0.975	0.187	1.0	0.085	-	20	31	45	80	80	80	2JX6182
2.0	150	100	0.375	0.770	0.187	1.0	0.063	-	-	-	30	70	70	70	2JX2779
2.0	175	100	0.670	0.975	0.312	2.4	0.075	20	49	59	69	80	80	80	2JX2339
2.0	200	100	0.400	0.730	0.312	0.5	0.06	-	-	10	22	70	70	70	2JX2325
2.0	200	100	0.400	0.730	0.187	0.5	0.055	-	-	10	22	70	70	70	2JX2725
2.0	300	150	0.400	0.730	0.187	0.2	0.055	-	-	-	-	62	80	80	2JX2724
2.0	300	150	0.400	0.730	0.312	0.3	0.055	-	-	-	-	62	80	80	2JX2324
3.0	100	50	0.400	0.730	0.312	1.5	0.02	-	-	20	30	80	80	80	3JX2331
3.0	100	50	0.400	0.730	0.187	1.5	0.02	-	-	20	30	80	80	80	3JX2731
3.0	100	70	0.400	0.730	0.187	1.5	0.02	-	-	14	33	80	80	80	3JX2795
3.0	100	70	0.400	0.730	0.312	1.5	0.02	-	-	15	33	80	80	80	3JX2395
3.0	100	50	0.670	1.220	0.312	1.5	0.073	-	32	41	54	80	80	80	3JX2362
3.0	175	100	0.375	0.760	0.187	1.0	0.027	-	-	-	10	70	70	70	3JX2780
3.0	175	100	0.400	0.800	0.187	1.0	0.02	-	-	-	23	80	80	80	3JX2772
3.0	175	100	0.670	1.185	0.312	2.4	0.03	-	38	46	56	70	70	70	3JX6379
3.0	175	100	0.400	0.975	0.187	1.0	0.07	-	11	24	39	80	80	80	3JX6183
3.0	200	100	0.400	0.730	0.312	0.5	0.02	-	-	-	-	65	70	70	3JX2329
3.0	200	100	0.400	0.730	0.187	0.5	0.02	-	-	-	-	65	70	70	3JX2729
3.0	250	150	0.400	0.730	0.312	0.5	0.02	-	-	-	-	68	80	80	3JX2396
5.0	100	50	0.400	0.730	0.312	1.5	0.01	-	-	-	26	73	80	80	5JX2332
5.0	100	50	0.400	0.730	0.187	1.5	0.01	-	-	-	26	73	80	80	5JX2732
5.0	100	50	0.400	0.860	0.312	3.0	0.025	-	-	27	42	80	80	80	5JX2789
5.0	150	100	0.375	0.780	0.187	1.0	0.01	-	-	-	-	68	70	80	5JX2760
5.0	175	100	0.670	1.170	0.312	1.0	0.02	-	-	22	39	80	80	80	5JX2782
5.0	175	100	0.400	0.800	0.187	1.0	0.01	-	-	-	-	70	70	70	5JX2773
5.0	200	100	0.400	0.730	0.312	0.5	0.01	-	-	-	-	55	70	70	5JX2330
5.0	200	100	0.400	0.730	0.187	0.5	0.01	-	-	-	-	55	70	70	5JX2730
5.0	250	150	0.400	0.780	0.187	0.5	0.01	-	-	-	-	70	70	80	5JX2762
10	100	50	0.400	0.660	0.187	1.5	0.003	16	22	26	30	43	62	65	10JX2507
10	100	50	0.400	0.660	0.187	1.5	0.01	16	22	26	30	43	62	70	10JX2506
10	100	50	0.400	0.660	0.312	1.5	0.01	16	22	26	30	43	62	65	10JX2107
10	150	75	0.670	1.280	0.312	2.0	0.006	16	22	28	44	48	65	70	10JX2340
10	175	100	0.375	0.730	0.187	1.0	0.003	13	21	23	27	43	70	70	10JX2781

DC-RATED CERAMIC EMI-RFI FILTERS

T (60 dB/DECADE)

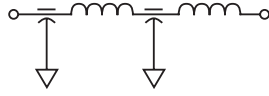
T (60 dB / DECADE)



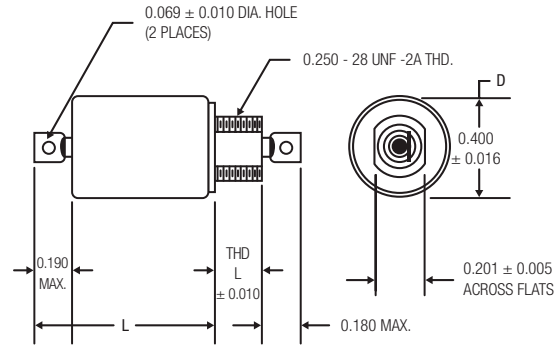
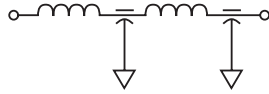
Current Rating (A)	DC Voltage Rating		D (in.)	Max. L (in.)	Thd. L (in.)	Min. Cap. (µF)	Max. R _{oc} (Ω)	Minimum Insertion Loss +25°C per MIL-STD-220						Dearborn Part Number	
	@85°C (V)	@125°C (V)						30kHz (dB)	75kHz (dB)	100kHz (dB)	150kHz (dB)	1MHz (dB)	10MHz (dB)		1GHz (dB)
0.1	100	50	0.400	0.860	0.187	0.75	2.9	32	55	63	70	70	70	70	1JX2811
0.1	100	50	0.400	0.860	0.312	0.75	3.7	32	55	63	70	70	70	70	1JX2411
0.25	100	50	0.400	0.860	0.187	0.75	2.5	30	54	60	71	80	80	80	1JX2825
0.3	100	50	0.400	0.860	0.312	0.75	1.55	20	42	50	56	70	70	70	1JX2412
0.3	100	50	0.400	0.860	0.187	0.75	1.4	20	42	50	56	70	70	70	1JX2812
0.45	100	50	0.400	1.110	0.312	0.75	1.3	39	63	69	80	80	80	80	1JX2427
0.5	100	50	0.400	0.860	0.312	0.75	0.66	15	33	40	50	70	70	70	1JX2413
0.5	100	50	0.400	0.860	0.187	0.75	0.6	15	33	40	50	70	70	70	1JX2813
1.0	100	50	0.400	0.860	0.187	0.75	0.3	12	20	25	32	71	80	80	1JX2801
1.0	100	50	0.400	0.860	0.312	0.75	0.3	7.0	18	21	26	69	70	70	1JX2414
1.0	100	50	0.400	0.860	0.187	0.75	0.27	7.0	18	21	26	69	70	70	1JX2814
1.0	150	100	0.400	1.110	0.187	1.0	0.25	-	23	27	35	80	80	80	1JX2820
2.0	100	50	0.400	0.945	0.312	0.75	0.08	-	-	20	22	58	70	70	2JX2424B
2.0	100	50	0.400	0.860	0.312	0.75	0.12	5.0	15	18	22	60	70	70	2JX2415
2.0	100	50	0.400	0.860	0.187	0.75	0.12	5.0	15	18	22	60	70	70	2JX2815
2.0	175	100	0.400	0.945	0.312	0.5	0.095	-	11	15	19	55	70	70	2JX2432
3.0	100	50	0.400	0.860	0.187	0.75	0.05	-	13	18	21	48	80	80	3JX2802
3.0	100	50	0.400	1.125	0.312	1.5	0.0185	10	16	19	24	50	70	70	3JX2405
3.0	175	100	0.400	1.110	0.187	0.5	0.05	-	-	20	23	50	80	80	3JX2821
10	100	50	0.400	1.110	0.187	0.75	0.01	8.0	16	19	24	40	54	70	10JX2804
15	100	50	0.400	0.890	0.187	0.75	0.0015	11	21	23	26	43	56	70	15JX2817

DC-RATED CERAMIC EMI-RFI FILTERS

LL1 (80 dB / DECADE)



LL2 (80 dB / DECADE)

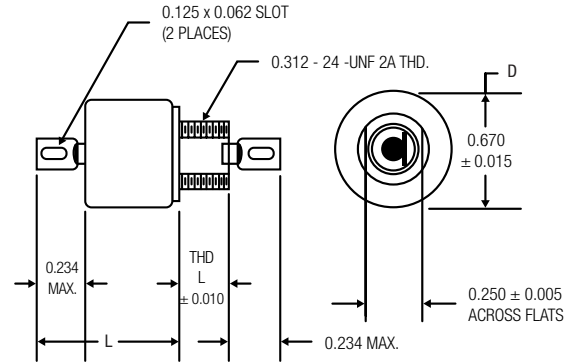
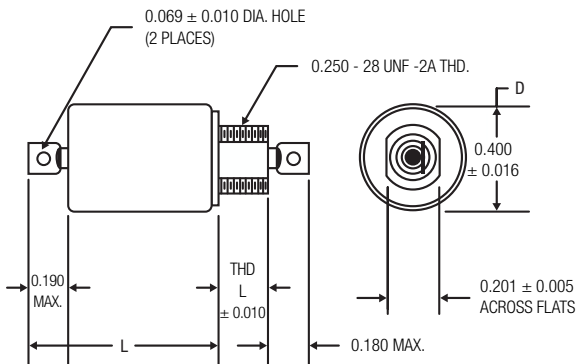
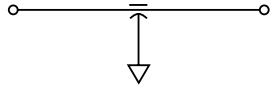


Current Rating (A)	DC Voltage Rating		D (in.)	Max. L (in.)	Thd. L (in.)	Min. Cap. (µF)	Max. R _{DC} (Ω)	Minimum Insertion Loss +25°C per MIL-STD-220						Dearborn Part Number	
	@85°C (V)	@125°C (V)						30kHz (dB)	75kHz (dB)	100kHz (dB)	150kHz (dB)	1MHz (dB)	10MHz (dB)		1GHz (dB)
LL1															
0.1	100	50	0.400	1.05	0.312	1.5	3.4	45	76	80	80	80	80	80	1JX2451
0.1	100	50	0.400	1.05	0.187	1.5	3.4	45	76	80	80	80	80	80	1JX2851
0.3	100	50	0.400	1.05	0.312	1.5	1.5	35	66	75	80	80	80	80	1JX2452
0.3	100	50	0.400	1.05	0.187	1.5	1.5	35	66	75	80	80	80	80	1JX2852
0.5	100	50	0.400	1.05	0.312	1.5	0.75	23	56	62	72	80	80	80	1JX2453
0.5	100	50	0.400	1.05	0.187	1.5	0.75	23	56	62	72	80	80	80	1JX2853
1.0	100	50	0.400	1.05	0.312	1.5	0.3	-	32	42	48	80	80	80	1JX2454
1.0	100	50	0.400	1.05	0.187	1.5	0.3	-	32	42	48	80	80	80	1JX2854
2.0	100	50	0.400	1.05	0.312	1.5	0.13	-	20	30	38	80	80	80	2JX2455
2.0	100	50	0.400	1.05	0.187	1.5	0.13	-	20	30	38	80	80	80	2JX2855
3.0	100	50	0.400	1.05	0.312	1.5	0.037	-	-	15	30	80	80	80	3JX2461
LL2															
0.1	100	50	0.400	1.05	0.312	1.5	3.4	45	76	80	80	80	80	80	1JX2456
0.1	100	50	0.400	1.05	0.187	1.5	3.4	45	76	80	80	80	80	80	1JX2856
0.3	100	50	0.400	1.05	0.312	1.5	1.5	35	66	75	80	80	80	80	1JX2457
0.3	100	50	0.400	1.05	0.187	1.5	1.5	35	66	75	80	80	80	80	1JX2857
0.5	100	50	0.400	1.22	0.312	3.0	0.3	26	60	65	77	80	80	80	1JX2465
0.5	100	50	0.400	1.05	0.312	1.5	0.75	23	56	62	72	80	80	80	1JX2458
0.5	100	50	0.400	1.05	0.187	1.5	0.75	23	56	62	72	80	80	80	1JX2858
1.0	100	50	0.400	1.05	0.312	1.5	0.3	-	32	42	48	80	80	80	1JX2459
1.0	100	50	0.400	1.05	0.187	1.5	0.3	-	32	42	48	80	80	80	1JX2859
2.0	100	50	0.400	1.05	0.312	1.5	0.13	-	20	30	38	80	80	80	2JX2460
2.0	100	50	0.400	1.05	0.187	1.5	0.13	-	20	30	38	80	80	80	2JX2860
3.0	100	50	0.400	1.05	0.312	1.5	0.037	-	-	15	30	80	80	80	3JX2462

AC-RATED CERAMIC EMI-RFI FILTERS

C (20 dB/DECADE)

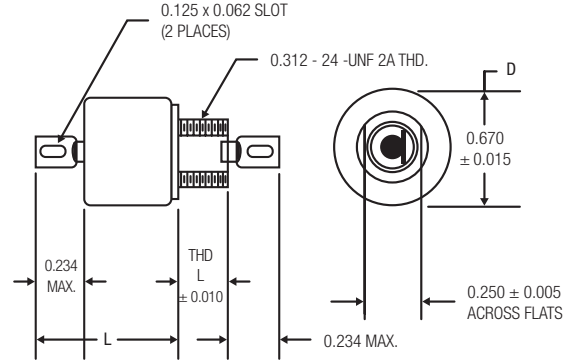
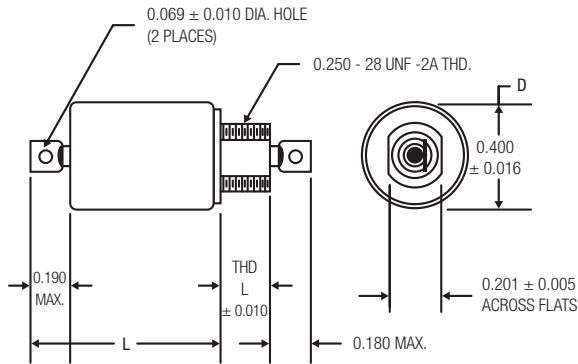
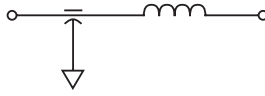
C (20 dB / DECADE)



Current Rating (A)	DC Voltage Rating			D (in.)	Max. L (in.)	Thd. L (in.)	Min. Cap. (µF)	Max. R _{DC} (Ω)	Minimum Insertion Loss +25°C per MIL-STD-220							Dearborn Part Number
	@85°C DC (V)	@125°C DC (V)	@125°C 400Hz (V)						30kHz (dB)	75kHz (dB)	100kHz (dB)	150kHz (dB)	1MHz (dB)	10MHz (dB)	1GHz (dB)	
5.0	250	150	125	0.400	0.440	0.187	0.25	0.01	-	11	14	17	32	50	70	5JX3502
5.0	250	150	125	0.400	0.440	0.312	0.25	0.01	-	9.0	11	15	30	50	70	5JX3102
5.0	300	150	125	0.400	0.440	0.187	0.15	0.01	-	-	5.0	7.0	22	44	60	5JX3501
5.0	300	150	125	0.400	0.440	0.312	0.1	0.01	-	-	4.0	7.0	22	42	70	5JX3101
10	300	200	125	0.400	0.440	0.312	0.1	0.004	-	-	4.0	8.0	24	42	70	10JX2141
15	250	150	125	0.400	0.440	0.187	0.25	0.004	-	8.0	12	15	30	60	70	15JX3503
15	250	150	125	0.400	0.545	0.187	0.25	0.004	-	10	13	16	31	50	60	15JX2585
15	300	150	125	0.400	0.390	0.312	0.15	0.005	-	-	5.0	7.0	24	44	70	15JX2137
15	400	300	230	0.400	0.440	0.187	0.04	0.004	-	-	-	-	16	36	70	15JX3508
15	450	300	230	0.670	0.690	0.312	0.3	0.005	-	12	14	18	34	44	70	15JX3103

AC-RATED CERAMIC EMI-RFI FILTERS

L1 (40 dB / DECADE)

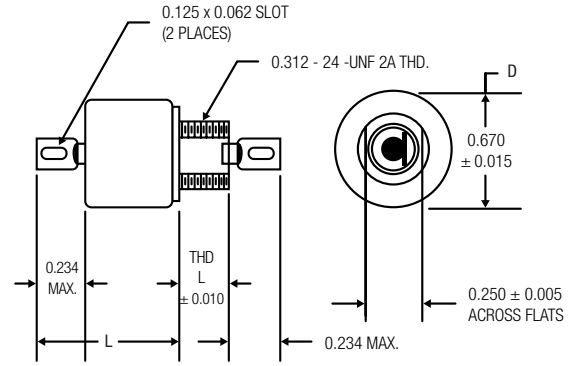
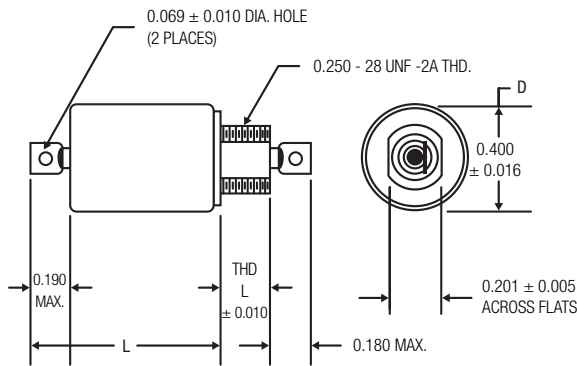
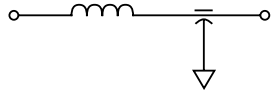


Current Rating (A)	DC Voltage Rating			D (in.)	Max. L (in.)	Thd. L (in.)	Min. Cap. (µF)	Max. R _{oc} (Ω)	Minimum Insertion Loss +25°C per MIL-STD-220							Dearborn Part Number
	@85°C DC (V)	@125°C DC (V)	@125°C 400Hz (V)						30kHz (dB)	75kHz (dB)	100kHz (dB)	150kHz (dB)	1MHz (dB)	10MHz (dB)	1GHz (dB)	
0.1	250	150	125	0.400	0.630	0.312	0.25	1.7	12	28	33	39	60	60	60	1JX3201
0.1	250	150	125	0.400	0.630	0.187	0.25	1.7	12	28	33	39	60	60	60	1JX3601
0.3	250	150	125	0.400	0.630	0.312	0.25	0.75	3.0	13	24	28	60	60	60	1JX3202
0.3	250	150	125	0.400	0.630	0.187	0.25	0.75	3.0	18	24	28	60	60	60	1JX3602
0.5	200	150	125	0.670	0.890	0.312	0.25	0.4	6.0	24	28	35	68	70	70	1JX3248
0.5	250	150	125	0.400	0.630	0.312	0.25	0.35	-	14	18	20	56	60	60	1JX3203
0.5	250	150	125	0.400	0.630	0.187	0.25	0.35	-	14	18	20	56	60	60	1JX3603
0.5	300	200	125	0.670	0.890	0.312	0.33	0.4	9.0	25	31	38	71	80	80	1JX3268A
0.5	450	300	230	0.670	0.890	0.312	0.15	0.4	7.0	19	24	32	64	80	80	1JX3275A
1.0	200	150	125	0.670	0.890	0.312	0.25	0.21	-	13	20	27	60	70	70	1JX3236
1.0	250	150	125	0.400	0.630	0.312	0.25	0.14	-	6.0	10	12	44	60	60	1JX3204
1.0	250	150	125	0.400	0.630	0.187	0.25	0.14	-	6.0	10	12	44	60	60	1JX3604
1.0	300	200	125	0.400	0.800	0.312	0.15	0.15	-	-	8.0	11	42	70	80	1JX6172A
1.0	300	200	125	0.670	0.890	0.312	0.33	0.23	-	18	24	31	64	80	80	1JX3269A
1.0	450	300	230	0.670	0.890	0.312	0.15	0.23	-	10	17	23	56	80	80	1JX3276A
2.0	250	150	125	0.670	0.890	0.312	0.25	0.043	-	10	14	19	46	70	70	2JX3246A
2.0	250	150	125	0.670	0.890	0.312	0.25	0.075	-	10	14	19	46	70	70	2JX3237
2.0	250	150	125	0.400	0.630	0.312	0.25	0.06	-	5.0	7.0	10	35	60	60	2JX3205
2.0	250	150	125	0.400	0.630	0.187	0.25	0.06	-	5.0	7.0	10	35	60	60	2JX3605
2.0	300	200	125	0.670	0.890	0.312	0.33	0.075	-	8.0	13	19	49	70	70	2JX3270A
2.0	450	300	185	0.670	1.400	0.312	0.15	0.055	-	-	7.0	11	30	70	70	2JX3227A
3.0	250	150	125	0.400	0.750	0.187	0.25	0.023	-	-	-	12	33	70	70	3JX6083A
3.0	250	150	125	0.400	0.690	0.187	0.25	0.02	5.0	11	13	16	34	65	70	3JX3623
3.0	250	150	125	0.670	0.890	0.312	0.25	0.03	5.0	13	15	19	45	70	70	3JX3238
3.0	250	150	125	0.400	0.630	0.312	0.25	0.02	5.0	11	13	15	33	68	70	3JX3222
3.0	300	200	125	0.670	0.890	0.312	0.45	0.03	-	7.0	14	19	43	70	70	3JX6384A
3.0	300	200	125	0.670	0.890	0.312	0.33	0.03	-	-	12	14	43	80	80	3JX3271A
3.0	300	150	125	0.670	0.890	0.312	0.33	0.03	5.0	15	17	22	45	70	70	3JX3252B
3.0	450	300	230	0.670	0.890	0.312	0.15	0.03	-	-	6.0	9.0	35	70	70	3JX3278A
5.0	250	150	125	0.400	0.630	0.312	0.25	0.01	-	11	14	17	32	61	70	5JX3223
5.0	250	150	125	0.400	0.630	0.187	0.25	0.01	-	-	5.0	7.0	28	59	60	5JX3623
5.0	250	150	125	0.400	0.750	0.187	0.25	0.014	4.0	10	13	17	33	70	70	5JX6084A
5.0	300	200	125	0.670	0.890	0.312	0.15	0.013	-	-	-	13	32	69	70	5JX3253A
10	250	150	125	0.670	0.890	0.312	0.25	0.008	-	8.0	12	14	30	60	70	10JX3240
15	300	150	125	0.670	0.890	0.312	0.33	0.004	-	8.0	12	15	30	50	70	15JX3274A

AC-RATED CERAMIC EMI-RFI FILTERS

L2 (40 dB/DECADE)

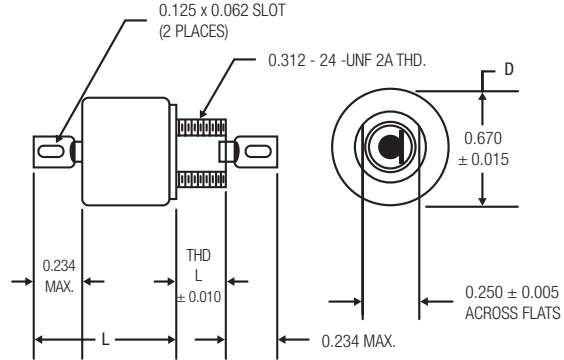
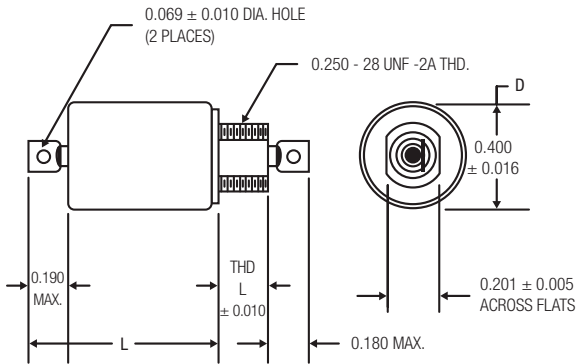
L2 (40 dB / DECADE)



Current Rating (A)	DC Voltage Rating			D (in.)	Max. L (in.)	Thd. L (in.)	Min. Cap. (µF)	Max. R _{DC} (Ω)	Minimum Insertion Loss +25°C per MIL-STD-220							Dearborn Part Number
	@85°C DC (V)	@125°C DC (V)	@125°C 400Hz (V)						30kHz (dB)	75kHz (dB)	100kHz (dB)	150kHz (dB)	1MHz (dB)	10MHz (dB)	1GHz (dB)	
0.1	250	150	125	0.400	0.630	0.312	0.25	1.7	12	28	33	39	60	60	60	1JX3206
0.1	250	150	125	0.400	0.630	0.187	0.25	1.7	12	28	33	39	60	60	60	1JX3606
0.25	300	200	125	0.400	0.760	0.312	0.16	1.6	-	15	20	31	60	60	60	1JX6149B
0.3	250	150	125	0.400	0.630	0.312	0.25	0.75	3.0	18	24	28	60	60	60	1JX3207
0.3	250	150	125	0.400	0.630	0.187	0.25	0.75	3.0	18	24	28	60	60	60	1JX3607
0.5	250	150	125	0.400	0.630	0.312	0.25	0.35	-	14	18	20	56	60	60	1JX3208
0.5	250	150	125	0.400	0.630	0.187	0.25	0.35	-	14	18	20	56	60	60	1JX3608
0.5	300	200	125	0.670	0.890	0.312	0.33	0.4	9.0	25	31	38	71	80	80	1JX3268B
0.5	450	300	230	0.670	0.890	0.312	0.15	0.4	7.0	19	24	32	64	80	80	1JX3275B
1.0	200	150	125	0.670	0.890	0.312	0.25	0.4	6.0	24	28	35	68	70	70	1JX3242
1.0	200	150	125	0.670	0.890	0.312	0.25	0.21	-	13	20	27	60	70	70	1JX3230
1.0	250	150	125	0.400	0.630	0.312	0.25	0.14	-	6.0	10	12	44	60	60	1JX3209
1.0	250	150	125	0.400	0.630	0.187	0.25	0.14	-	6.0	10	12	44	60	60	1JX3609
1.0	300	200	125	0.670	0.890	0.312	0.33	0.23	-	18	24	31	64	80	80	1JX3269B
1.0	450	300	230	0.670	0.890	0.312	0.15	0.21	-	15	20	27	62	70	70	1JX3258B
1.0	450	300	230	0.670	0.890	0.312	0.15	0.23	-	10	17	23	56	80	80	1JX3276B
2.0	200	150	125	0.670	0.890	0.312	0.25	0.075	-	10	14	19	46	70	70	2JX3231
2.0	250	150	125	0.400	0.630	0.312	0.25	0.06	-	5.0	7.0	10	35	60	60	2JX3210
2.0	250	150	125	0.400	0.630	0.187	0.25	0.06	-	5.0	7.0	10	35	60	60	2JX3610
2.0	250	200	125	0.670	0.890	0.312	0.33	0.075	-	10	16	20	50	70	70	2JX3251B
2.0	250	150	125	0.670	0.890	0.312	0.25	0.043	-	10	14	19	46	70	70	2JX3246B
2.0	300	200	125	0.670	0.890	0.312	0.33	0.075	-	8.0	13	19	49	70	70	2JX3270B
2.0	300	200	125	0.670	0.890	0.312	0.33	0.06	-	10	14	23	60	80	80	2JX2599A
2.0	450	300	230	0.670	0.890	0.312	0.15	0.075	-	6.0	9.0	10	41	70	70	2JX3277B
3.0	250	150	125	0.670	0.890	0.312	0.25	0.03	5.0	13	15	19	45	70	70	3JX3232
3.0	250	150	125	0.400	0.630	0.312	0.25	0.02	5.0	11	13	15	33	68	70	3JX3212
3.0	250	150	125	0.400	0.750	0.187	0.25	0.023	-	-	-	12	33	70	70	3JX6083B
3.0	250	150	125	0.400	0.630	0.187	0.25	0.02	5.0	11	13	16	34	65	70	3JX3613
3.0	300	200	125	0.400	0.690	0.187	0.20	0.02	-	-	-	-	28	61	70	3JX3661B
3.0	300	200	125	0.670	0.890	0.312	0.45	0.03	-	7.0	14	19	43	70	70	3JX6384B
3.0	300	200	125	0.670	0.890	0.312	0.33	0.03	-	-	12	14	43	80	80	3JX3271B
3.0	450	300	230	0.670	0.890	0.312	0.15	0.03	-	-	6.0	9.0	35	70	70	3JX3278B
5.0	250	150	125	0.400	0.750	0.187	0.25	0.014	4.0	10	13	17	33	70	70	5JX6084B
5.0	250	150	125	0.400	0.630	0.312	0.25	0.01	-	11	14	17	32	61	70	5JX3213
5.0	250	150	125	0.400	0.630	0.187	0.25	0.01	-	11	14	17	32	61	70	5JX3613
5.0	250	150	125	0.670	0.890	0.312	0.25	0.015	4.0	11	14	16	38	70	70	5JX3233
5.0	300	200	125	0.670	0.900	0.312	0.33	0.013	4.0	10	12	16	38	60	70	5JX3272B
5.0	300	200	125	0.670	0.890	0.312	0.15	0.013	-	-	-	13	32	69	70	5JX3253B
5.0	450	300	230	0.670	0.900	0.312	0.15	0.013	-	8.0	10	13	32	65	70	5JX3279B
10	250	150	125	0.670	0.890	0.312	0.25	0.0075	-	8.0	12	14	30	60	70	10JX3234
10	300	200	125	0.670	0.890	0.312	0.33	0.0075	-	-	14	18	34	54	70	10JX3254B
15	300	200	125	0.670	1.440	0.312	0.66	0.0055	8.0	16	18	22	38	55	70	15JX3285B
15	300	150	125	0.670	0.890	0.312	0.33	0.004	-	8.0	12	15	30	50	70	15JX3274B

AC-RATED CERAMIC EMI-RFI FILTERS

Pi (60 dB / DECADE)

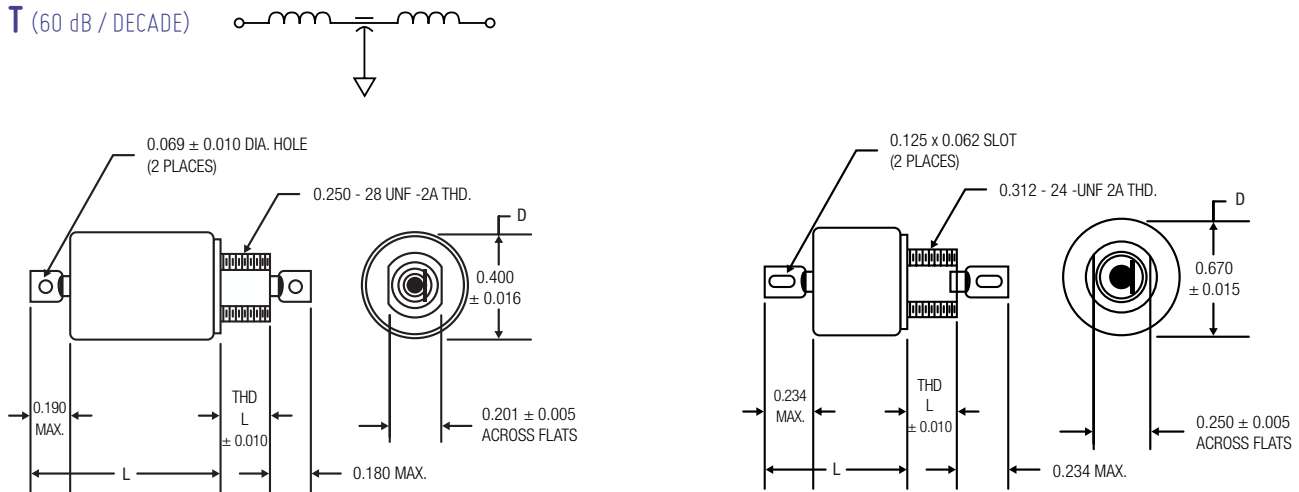


Current Rating (A)	DC Voltage Rating			D (in.)	Max. L (in.)	Thd. L (in.)	Min. Cap. (µF)	Max. R _{DC} (Ω)	Minimum Insertion Loss +25°C per MIL-STD-220							Dearborn Part Number
	@85°C DC (V)	@125°C DC (V)	@125°C 400Hz (V)						30kHz (dB)	75kHz (dB)	100kHz (dB)	150kHz (dB)	1MHz (dB)	10MHz (dB)	1GHz (dB)	
0.1	250	150	125	0.400	0.730	0.312	0.5	1.7	15	40	50	56	70	70	70	1JX3301
0.1	250	150	125	0.400	0.730	0.187	0.5	1.7	15	40	50	56	70	70	70	1JX3701
0.15	450	300	230	0.670	1.190	0.312	0.3	0.3	-	28	37	47	80	80	80	1JX3340
0.3	250	150	125	0.400	0.730	0.312	0.5	0.75	9.0	35	42	50	70	70	70	1JX3302
0.3	250	150	125	0.400	0.730	0.187	0.5	0.75	9.0	35	42	50	70	70	70	1JX3702
0.3	300	150	125	0.400	0.730	0.187	0.3	0.65	-	15	23	33	70	70	70	1JX3706
0.5	250	150	125	0.400	0.730	0.312	0.5	0.35	-	28	38	48	80	80	80	1JX3362
0.5	250	150	125	0.670	1.020	0.312	0.5	0.4	14	40	47	58	80	80	80	1JX3319
0.5	250	150	125	0.400	0.730	0.312	0.5	0.35	-	28	38	46	70	70	70	1JX3303
0.5	250	150	125	0.400	0.730	0.187	0.5	0.35	-	28	38	46	70	70	70	1JX3703
1.0	250	150	125	0.670	1.020	0.312	0.5	0.21	-	33	40	51	80	80	80	1JX3325
1.0	250	150	125	0.670	1.020	0.312	0.5	0.21	-	-	36	47	80	80	80	1JX3320
1.0	250	150	125	0.670	1.170	0.312	0.5	0.35	4.0	33	40	51	80	80	80	1JX3312
1.0	250	150	125	0.400	0.730	0.312	0.5	0.14	-	-	18	28	70	70	70	1JX3304
1.0	250	150	125	0.400	0.730	0.187	0.5	0.14	-	-	18	28	70	70	70	1JX3704
1.0	300	200	125	0.670	1.020	0.312	0.66	0.23	-	36	44	54	80	80	80	1JX3365
1.0	300	150	125	0.400	0.730	0.312	0.24	0.105	-	-	-	11	67	80	80	1JX3364
1.0	450	300	230	0.670	1.190	0.312	0.3	0.3	-	22	32	42	80	80	80	1JX3355
2.0	250	150	125	0.400	0.730	0.312	0.5	0.06	-	-	-	22	70	70	70	2JX3305
2.0	250	150	125	0.400	0.730	0.187	0.5	0.06	-	-	-	22	70	70	70	2JX3705
2.0	250	200	125	0.670	1.030	0.312	0.66	0.075	-	-	24	36	80	80	80	2JX3334
2.0	250	150	125	0.670	1.020	0.312	0.5	0.075	-	10	30	41	70	70	70	2JX3326
3.0	250	150	125	0.400	0.730	0.312	0.5	0.02	-	-	-	-	60	70	70	3JX3308
3.0	250	150	125	0.400	0.730	0.187	0.5	0.02	-	-	-	-	60	70	70	3JX3708
3.0	250	150	125	0.400	1.100	0.312	0.5	0.035	-	-	-	13	70	80	80	3JX3327
3.0	250	150	125	0.670	1.020	0.312	0.5	0.03	15	27	33	36	70	70	70	3JX3322
3.0	300	200	125	0.670	1.030	0.312	0.9	0.03	-	13	22	36	70	70	70	3JX6389
3.0	300	250	220	0.400	0.730	0.312	0.3	0.02	-	-	-	-	52	80	80	3JX3356
5.0	250	150	125	0.400	0.730	0.312	0.5	0.01	-	-	-	-	50	70	70	5JX3309
5.0	250	150	125	0.400	0.730	0.187	0.5	0.01	-	-	-	-	55	70	70	5JX3709
5.0	300	150	125	0.670	1.200	0.312	0.66	0.015	-	-	-	15	70	70	70	5JX3335
10	200	150	125	0.670	1.185	0.312	1.0	0.009	-	-	-	-	70	80	80	10JX3367
10	250	150	125	0.670	1.185	0.312	0.5	0.008	8.0	15	16	-	55	70	70	10JX3324
10	250	150	125	0.400	0.940	0.187	0.5	0.009	7.0	14	16	20	43	70	70	10JX3715
10	300	200	125	0.670	1.200	0.312	0.66	0.005	-	-	-	16	48	70	70	10JX3336
10	300	200	125	0.400	0.760	0.312	0.3	0.003	-	-	-	-	30	70	70	10JX6295

AC-RATED CERAMIC EMI-RFI FILTERS

T (60 dB/DECADE)

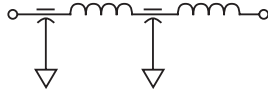
T (60 dB / DECADE)



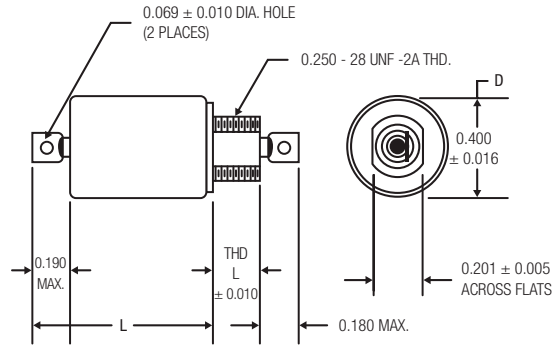
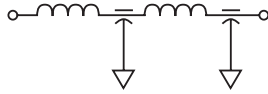
Current Rating (A)	DC Voltage Rating			D (in.)	Max. L (in.)	Thd. L (in.)	Min. Cap. (µF)	Max. R _{DC} (Ω)	Minimum Insertion Loss +25°C per MIL-STD-220							Dearborn Part Number
	@85°C DC (V)	@125°C DC (V)	@125°C 400Hz (V)						30kHz (dB)	75kHz (dB)	100kHz (dB)	150kHz (dB)	1MHz (dB)	10MHz (dB)	1GHz (dB)	
0.06	250	150	125	0.400	0.890	0.187	0.25	4.0	30	55	62	70	70	70	70	1JX3810
0.1	250	150	125	0.400	0.860	0.187	0.25	3.7	16	40	47	56	60	60	60	1JX3811
0.1	250	150	125	0.400	0.860	0.312	0.25	3.7	16	40	47	56	60	60	60	1JX3411
0.25	300	200	125	0.400	0.860	0.312	0.16	1.55	4.0	28	36	47	80	80	80	1JX3436
0.3	250	150	125	0.400	0.860	0.312	0.25	1.55	-	27	35	43	60	60	60	1JX3412
0.3	250	150	125	0.400	0.860	0.187	0.25	1.55	-	27	35	43	60	60	60	1JX3812
0.3	300	150	125	0.400	0.940	0.187	0.15	1.01	-	22	30	41	70	70	70	1JX3803
0.5	250	150	125	0.400	0.860	0.312	0.25	0.66	-	21	30	37	60	60	60	1JX3413
0.5	250	150	125	0.400	0.860	0.187	0.25	0.66	-	21	30	37	60	60	60	1JX3813
0.5	300	200	125	0.670	1.185	0.312	0.33	0.8	18	42	50	60	80	80	80	1JX3428
1.0	200	150	125	0.400	0.810	0.187	0.25	0.5	-	9.0	15	22	70	70	70	1JX3824
1.0	250	150	125	0.400	0.860	0.187	0.25	0.17	4.0	11	15	24	64	80	80	1JX3805
1.0	250	150	125	0.670	1.185	0.312	0.25	0.5	-	29	37	48	80	80	80	1JX3419
1.0	250	150	125	0.400	0.860	0.312	0.25	0.3	-	9.0	12	16	60	60	60	1JX3414
1.0	250	150	125	0.400	0.860	0.187	0.25	0.3	-	9.0	12	16	60	60	60	1JX3814
1.0	300	200	125	0.670	1.185	0.312	0.33	0.42	-	26	34	44	80	80	80	1JX3429
1.0	450	300	230	0.670	1.185	0.312	0.15	0.42	-	18	27	38	80	80	80	1JX3432
1.0	450	300	185	0.670	1.200	0.312	0.15	0.46	8.0	21	27	39	60	60	60	1JX3424
1.5	250	150	125	0.670	1.185	0.312	0.25	0.15	-	7.0	16	25	70	70	70	2JX3406
2.0	250	150	125	0.400	0.860	0.312	0.25	0.12	-	7.0	10	11	45	60	60	2JX3415
2.0	250	150	125	0.400	0.860	0.187	0.25	0.12	-	7.0	10	11	45	60	60	2JX3815
3.0	250	150	125	0.400	0.860	0.187	0.25	0.04	-	-	-	12	33	80	80	3JX3806
3.0	250	150	125	0.400	0.860	0.312	0.25	0.04	-	-	-	12	32	80	80	3JX3442B
4.0	250	150	125	0.400	0.900	0.187	0.25	0.034	-	10	12	16	33	70	70	4JX3818

AC-RATED CERAMIC EMI-RFI FILTERS

LL1 (80 dB / DECADE)



LL2 (80 dB / DECADE)

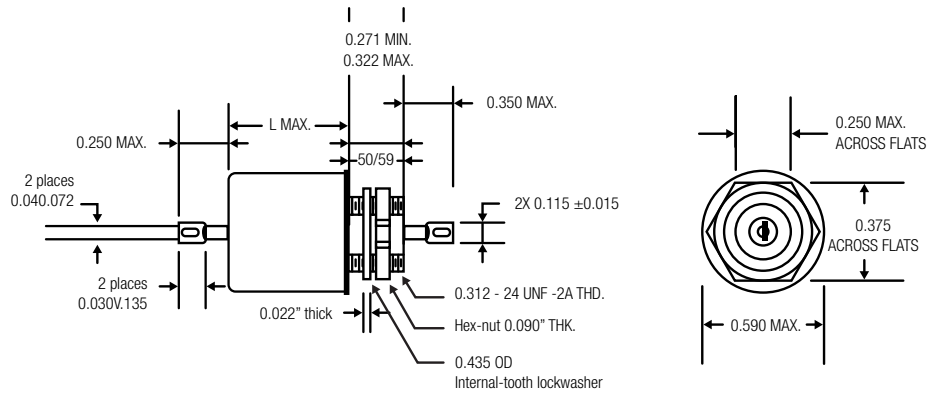


Current Rating (A)	DC Voltage Rating			D (in.)	Max. L (in.)	Thd. L (in.)	Min. Cap. (μF)	Max. R _{DC} (Ω)	Minimum Insertion Loss +25°C per MIL-STD-220							Dearborn Part Number
	@85°C DC (V)	@125°C DC (V)	@125°C 400Hz (V)						30kHz (dB)	75kHz (dB)	100kHz (dB)	150kHz (dB)	1MHz (dB)	10MHz (dB)	1GHz (dB)	
LL1																
0.1	250	150	125	0.400	1.05	0.312	0.5	3.4	28	57	68	70	70	70	70	1JX3451
0.1	250	150	125	0.400	1.05	0.187	0.5	3.4	28	57	68	70	70	70	70	1JX3851
0.3	250	150	125	0.400	1.05	0.312	0.5	1.5	12	45	56	69	70	70	70	1JX3452
0.3	250	150	125	0.400	1.05	0.187	0.5	1.5	12	45	56	69	70	70	70	1JX3852
0.5	250	150	125	0.400	1.05	0.312	0.5	0.75	-	30	39	50	70	70	70	1JX3453
0.5	250	150	125	0.400	1.05	0.187	0.5	0.75	-	30	39	50	70	70	70	1JX3853
1.0	250	150	125	0.400	1.05	0.312	0.5	0.3	-	-	12	30	70	70	70	1JX3454
1.0	250	150	125	0.400	1.05	0.187	0.5	0.3	-	-	12	30	70	70	70	1JX3854
2.0	250	150	125	0.400	1.05	0.312	0.5	0.13	-	-	8.0	17	70	70	70	2JX3455
2.0	250	150	125	0.400	1.05	0.187	0.5	0.13	-	-	8.0	17	70	70	70	2JX3855
LL2																
0.1	250	150	125	0.400	1.05	0.312	0.5	3.4	28	57	68	70	70	70	70	1JX3456
0.1	250	150	125	0.400	1.05	0.187	0.5	3.4	28	57	68	70	70	70	70	1JX3856
0.3	250	150	125	0.400	1.05	0.312	0.5	1.5	12	45	56	69	70	70	70	1JX3457
0.3	250	150	125	0.400	1.05	0.187	0.5	1.5	12	45	56	69	70	70	70	1JX3857
0.5	250	150	125	0.400	1.05	0.312	0.5	0.75	-	30	39	50	70	70	70	1JX3458
0.5	250	150	125	0.400	1.05	0.187	0.5	0.75	-	30	39	50	70	70	70	1JX3858
1.0	250	150	125	0.400	1.05	0.312	0.5	0.3	-	-	12	30	70	70	70	1JX3459
1.0	250	150	125	0.400	1.05	0.187	0.5	0.3	-	-	12	30	70	70	70	1JX3859
2.0	250	150	125	0.400	1.05	0.312	0.5	0.13	-	-	8.0	17	70	70	70	2JX3460
2.0	250	150	125	0.400	1.05	0.187	0.5	0.13	-	-	8.0	17	70	70	70	2JX3860

AC-RATED CERAMIC EMI-RFI FILTERS

THESE FILTERS OFFER SUPERIOR PERFORMANCE:

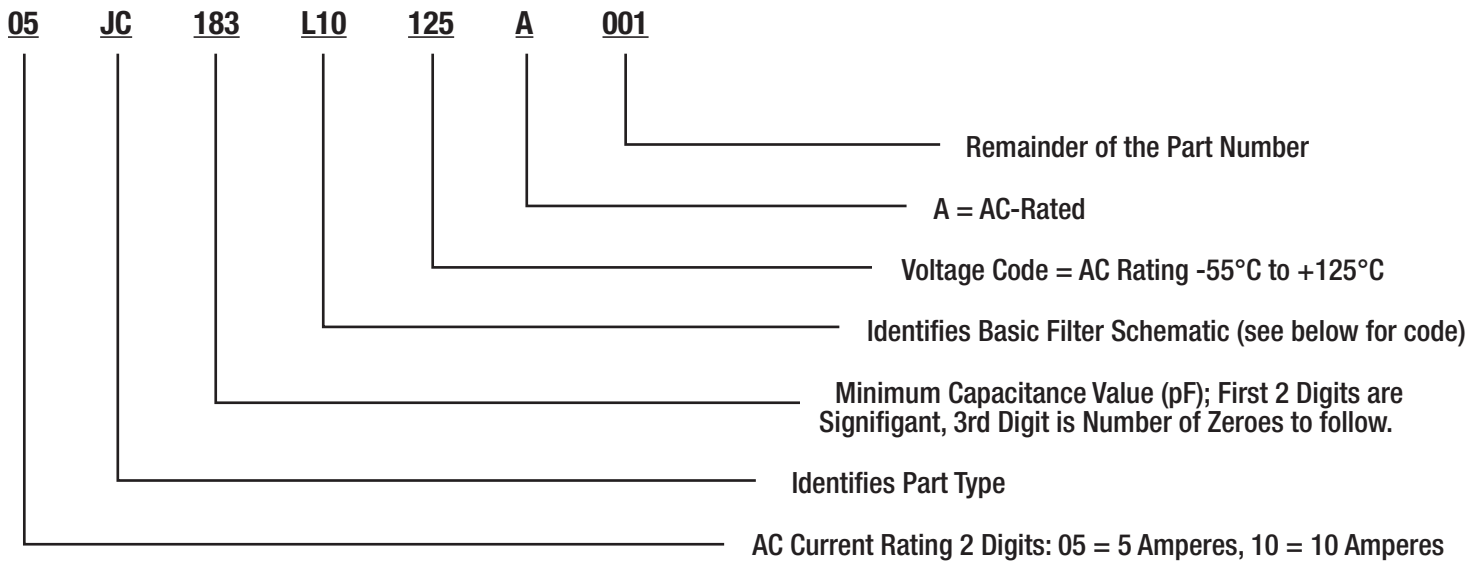
- Lowest Heat Rise in AC operation
- Excellent Capacitance Stability from -55°C to +125°C
- Uniform Attenuation with Temperature
- Outstanding Q
- Current Ratings to 10 Amperes
- Available in Seven Circuit Configurations



Current Rating (A)	DC Voltage Rating		Max. L (in.)	Min. Cap. (µF)	Max. R _{DC} (Ω)	Minimum Insertion Loss +25°C per MIL-STD-220							Dearborn Part Number
	DC (V)	400Hz (V)				30kHz (dB)	75kHz (dB)	100kHz (dB)	150kHz (dB)	1MHz (dB)	10MHz (dB)	1GHz (dB)	
C													
10	200	125	0.350	0.18	0.1	-	-	-	-	11	30	66	10JC183C00125A001
10	200	125	0.500	0.18	0.1	-	-	-	3	17	37	72	10JC183C00125A002
L1													
1	200	125	0.700	0.18	0.5	6	12	17	19	50	90	93	01JC183L10125A001
2	200	125	0.710	0.18	0.3	-	5	8	11	42	79	96	02JC183L10125A001
5	200	125	0.650	0.18	0.1	-	-	-	-	32	68	96	05JC183L10125A001
L2													
1	200	125	0.700	0.18	0.5	6	12	17	19	50	90	93	01JC183L20125A001
2	200	125	0.710	0.18	0.3	-	5	8	11	42	79	96	02JC183L20125A001
5	200	125	0.650	0.18	0.1	-	-	-	3	32	68	96	05JC183L20125A001
Pi													
1	200	125	0.850	0.035	0.4	5	13	17	22	67	98	99	01JC353P00125A001
2	200	125	1.200	0.070	0.4	-	8	13	13	71	99	99	02JC703P00125A001
5	200	125	1.200	0.070	0.4	-	-	-	3	55	98	99	05JC703P00125A001
T													
1	200	125	1.100	0.035	0.9	-	27	32	46	93	99	99	01JC353T00125A001
2	200	125	1.100	0.035	0.5	-	8	20	30	80	99	99	02JC353T00125A001
5	200	125	0.950	0.035	0.2	-	-	-	8	60	99	99	05JC353T00125A001
LL1													
1	200	125	1.100	0.035	0.9	7	16	30	42	97	99	99	01JC353LL1125A001
2	200	125	1.500	0.070	0.5	-	7	22	35	96	99	99	02JC730LL1125A001
5	200	125	1.300	0.070	0.2	-	-	3	8	80	99	99	05JC730LL1125A001
LL2													
1	200	125	1.100	0.035	0.9	7	16	30	42	97	99	99	01JC353LL2125A001
2	200	125	1.500	0.070	0.5	-	7	22	35	96	99	99	02JC703LL2125A001
5	200	125	1.300	0.070	0.2	-	-	3	8	80	99	99	05JC703LL2125A001

AC-RATED CERAMIC EMI-RFI FILTERS

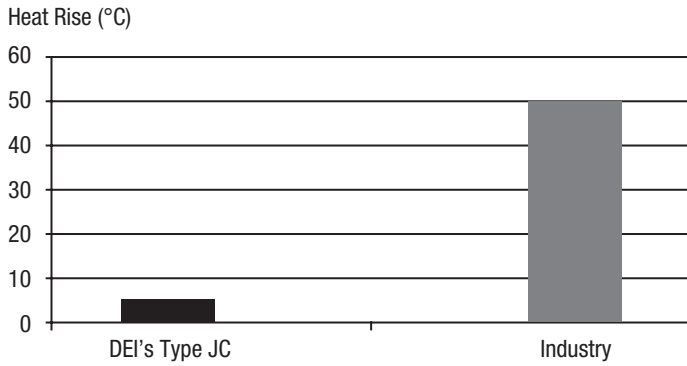
EXAMPLE:



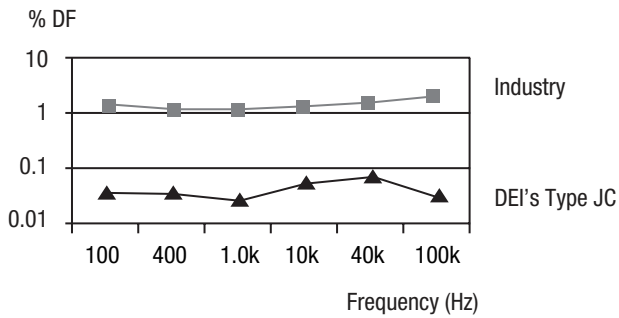
CODE FOR FILTER TYPES

Filter Type	P/N Code
C	C00
L1	L10
L2	L20
Pi	P00
T	T00
LL1	LL1
LL2	LL2

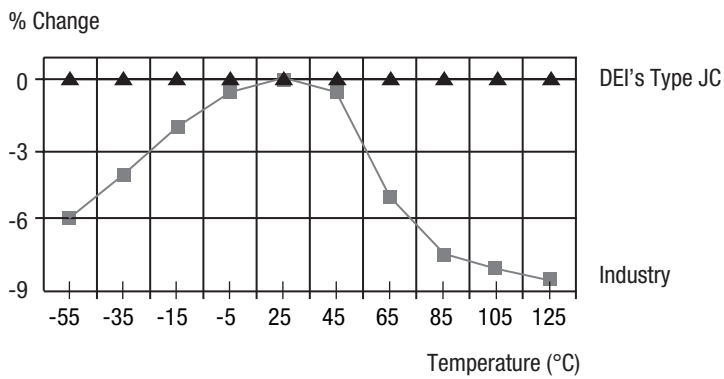
400Hz HEAT RISE 125 V AC @+125°C



DF @+125°C VS. FREQUENCY



CAP CHANGE VS. TEMPERATURE



CIRCUIT CONFIGURATIONS

T CIRCUIT

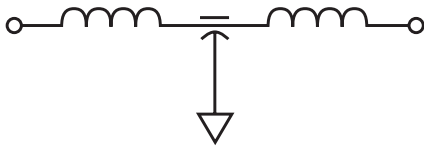
A three-section filter consisting of two series-connected inductors between the input and output terminals, with a feedthrough capacitor between them from line to ground. The T filter is usually symmetrical (identical inductive elements), but circumstances sometimes warrant use of asymmetrical circuits.

A T filter has attenuation characteristics that increase at 60 dB from its cutoff frequency to at least that frequency where it exhibits a minimum attenuation of 60 dB.

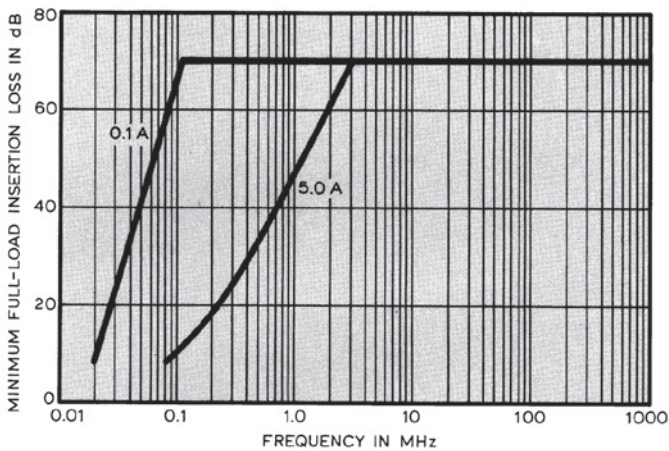
The schematic symbol and typical attenuation characteristics are shown below:

T-Only Filters are the choice when both the input and output impedances are low.

T CIRCUIT FILTERS



TYPICAL ATTENUATION CHARACTERISTICS



LL CIRCUIT

Four-section filter consisting of two feedthrough capacitors connected between line and ground with two interspersed inductors connected in series with them between the input and output terminals. The LL filter is usually made with identical capacitor and inductor elements.

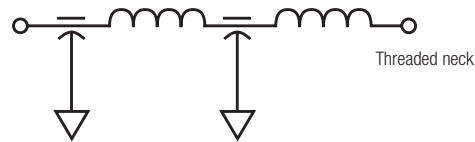
LL1 filters have an inductive element closest to the end with the threaded mounting neck. LL2 filters have a capacitive element adjacent to the end with the threaded mounting neck. An LL filter has attenuation characteristics that increase at 80 dB per decade from its cutoff frequency to that frequency where its attenuation is at least 80 dB.

The LL filter's schematic symbol and typical attenuation characteristics are shown below:

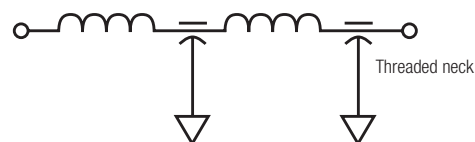
LL-Only Filters should only be selected when extremely high attenuation is required and when the input & output impedances vary significantly.

LL CIRCUIT FILTERS

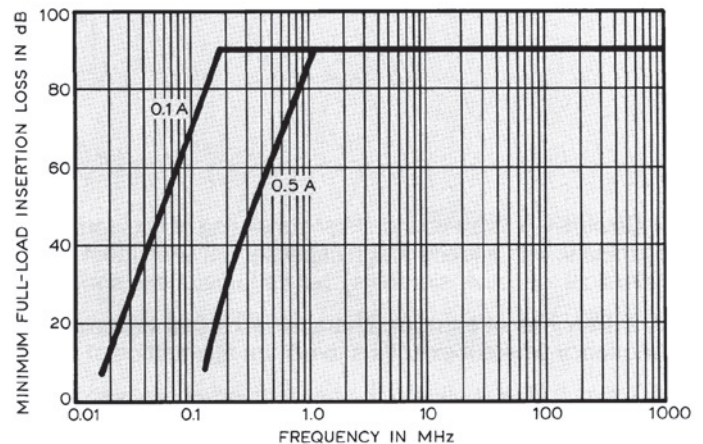
LL1



LL2



TYPICAL ATTENUATION CHARACTERISTICS



INSTALLATION GUIDELINES

WHEN INSTALLING AN EMI FILTER FOR ANY PURPOSE, OBSERVE THESE BASIC RULES:

- The filter's metal case must make direct, low-resistance contact with the metal chassis, cabinet, or groundplane.
- Ground connections should be physically short and should exhibit the lowest possible rf impedance. Never use wires for rf grounds.
- The filter's input and output leads should be physically separated to provide the greatest amount of electrical isolation possible.
- Mount the filter as close as possible to the point power lines egress from the device being filtered. At any point of penetration through the device's electrical shield, make sure the shield's continuity is maintained. In every instance, the preferred installation technique is "bulkhead" mount.
- Maximum installation torque is as follows:

Thread Size	Maximum Torque
$1/4 - 28$	48 in/ounces
$5/16 - 24$	64 in/ounces

ABBREVIATIONS & TERMS

ATTENUATION

The decrease in amplitude of electricity (voltage, current, or power) in the stop-band of a filter, referenced to the amplitude without the filter. It is generally measured at a standard 50 Ω impedance and expressed in decibels (dB).

CONDUCTED INTERFERENCE

Undesirable electrical energy emitted by a device. The interference appears on power, signal, or control leads of the device and disrupts or degrades its performance or that of another device. Limits of conducted interference levels are generally defined by law or regulation.

CONDUCTED SUSCEPTIBILITY

A measure of the interference signal level (voltage or current) on power, signal or control leads required to cause an undesirable response or to degrade performance of a device.

DECADE

A frequency ratio of 10 to 1.

EMI

Electromagnetic interference or unwanted electrical energy in any form.

FILTER

To restrict or control electrical energy over a frequency range, or a device for doing so.

FREQUENCY SUBDIVISIONS

VLF (Very Low)	3kHz to 30kHz
LF (Low)	30kHz to 300kHz
MF (Medium)	300kHz to 3MHz
HF (High)	3MHz to 30MHz
VHF (Very High)	30MHz to 300MHz
UHF (Ultra High)	300MHz to 3GHz
SHF (Super High)	3GHz to 30GHz
EHF (Extremely High)	30GHz to 300GHz

INSERTION LOSS

The decrease in amplitude of electricity (voltage, current, or power) in the pass-band of a filter, referenced to the amplitude without the filter. It is generally measured at a standard 50 Ω impedance and expressed in decibels (dB).

INSULATION RESISTANCE

Or IR, usually the value of the DC resistance from a conducting element to the case of a filter, extrapolated from measurement of DC current flow driven by a pure and precise DC voltage applied between the filter's terminals and its case.

LEAKAGE CURRENT

Or leakage, usually the algebraic sum of reactive currents flowing through the filter's capacitors to ground.

MIL-B-5087

U.S. Government document that specifies bonding, electrical and lightning protection for aerospace systems.

MIL-E-6051

U.S. Government document that specifies electromagnetic compatibility requirements for systems.

MIL-PRF-15733

U.S. Government document for general specification of filters and capacitors for control of radio-frequency interference.

MIL-PRF-28861

U.S. Government document for general specification of filters and capacitors for suppression of radio-frequency and electromagnetic interference.

MIL-HDBK-235 (NAVY)

U.S. Government document that specifies electromagnetic (radiated) environment considerations for design and procurement of electrical and electronic equipment.

MIL-HDBK-237

U.S. Government document that specifies electromagnetic compatibility program requirements.

MIL-STD-202

U.S. Government document that specifies test methods for electronic and electrical components.

MIL-STD-220

U.S. Government document that specifies methods of insertion loss measurement for radio-frequency filters.

MIL-STD-461

U.S. Government document that specifies electromagnetic interference requirements for equipment.

MIL-STD-462

U.S. Government document that specifies measurement of electromagnetic interference characteristics.

MIL-STD-469

U.S. Government document that specifies radar engineering design requirements for electromagnetic compatibility.

NOISE

Generic term for undesirable electrical energy.

OCTAVE

A frequency ratio of 2 to 1.

RADHAZ

Hazard presented by electromagnetic radiation to fuels, electronic hardware, ordnance, or personnel.

RADIATED INTERFERENCE

Undesirable electrical energy that radiates from a device or its leads, coupled for measurement purposes to a standard test antenna and receiver. Limits of radiated interference levels are generally defined by law or regulation.

RADIATED SUSCEPTIBILITY

A measure of radiated interference level required to cause an undesirable response or to degrade the performance of a device.

RADIATION

The emission of energy in the form of electromagnetic waves.

RFI

Radio-frequency interference, an older, somewhat restrictive term generally used interchangeably with "EMI."

RI

Radio interference, an even older and more restrictive term for "EMI."

TEST PROCEDURES

All filters in this catalog are capable of passing the following tests in tables I & II without physical damage or electrical degradation, except as noted. The following documents are applicable to this specification: MIL-STD-202, MIL-STD-220, MIL-PRF-15733, and MIL-PRF-28861.

TABLE I

TEST PROCEDURES

Test	Quality Level/Sample Requirement			Test Method (MIL-STD-202 unless otherwise specified)
	MIL-PRF-15733	MIL-PRF-28861		
		Class B	Class S	
Thermal Shock	100% (Note 1)	100%	100%	Method 107, Condition A (-55°C to +125°C, 5 cycles)
Voltage Conditioning	100% (Note 2)	100%	100%	Per MIL-PRF-28861, or 168 hours at 1.2 x AC voltage rating or 2 x DC rating (Note 3)
Dielectric Withstanding Voltage	1% AQL	100%	100%	Method 301 (2.5 x DC voltage rating)
Insulation Resistance at +25°C	1% AQL	100%	100%	Method 302 (At rated DC voltage)
Capacitance to Ground	1% AQL	100%	100%	Method 305 (1.2 Vrms, maximum, at f=1kHz)
Insertion Loss	1% AQL	100%	100%	MIL-STD-220
DC Resistance	1% AQL	100%	100%	Method 303
DC Voltage Drop	1% AQL	None	None	MIL-PRF-15733, Para. 4.6.8
X-Ray	(Note 4)	100%	100%	Method 209
Case Seal	1% AQL	100%	100%	Method 112 MIL-PRF-15733, Condition A, or MIL-PRF-28861, Conditions A and C
Visual and Mechanical	1% AQL	1% AQL	1% AQL	Per detailed specification
Temperature Rise	4% AQL	None	None	MIL-PRF-15733, Para. 4.6.4
Current Overload	4% AQL	None	None	MIL-PRF-15733, Para. 4.6.10

NOTES:

1. Dearborn performs thermal shock test on all ceramic filters as part of the production process.
2. Dearborn conducts +125°C burn-in Tests on all Military QPL Filters for a minimum of 48 hours at 1.5 x DC voltage rating.
3. Includes +125°C test for insulation resistance during last 50 hours (for MIL-PRF-28861, at 0.2% PDA).
4. Except where selected specification sheets require 100% X-Ray.

TABLE II

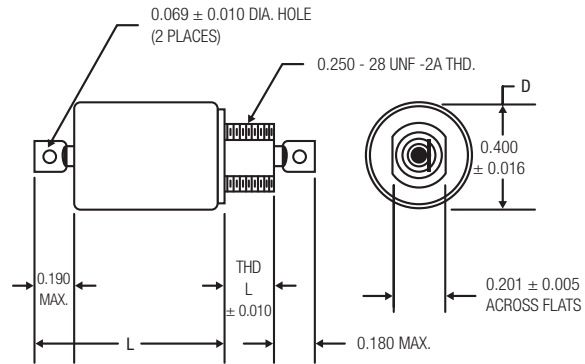
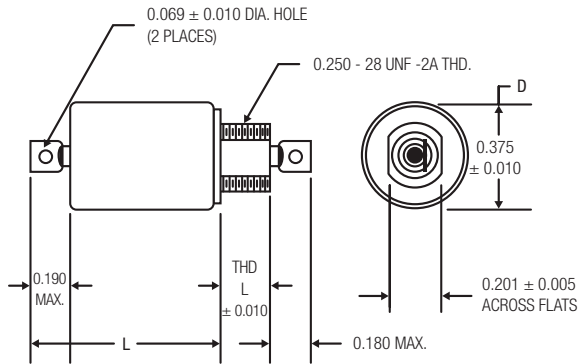
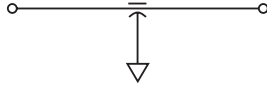
Periodic Test	INSPECTION INTERVAL/ALLOWED FAILURES			Test Method (MIL-STD-202 unless otherwise specified)
	MIL-PRF-15733	MIL-PRF-28861		
		Class B	Class S	
AC Voltage Drop	Not required	90 days, 2 in 25	30 days, 0 in 5	MIL-PRF-28861, Para. 4.6.6
Voltage at Temperature, Capacitance Limits	Not required	90 days, 2 in 25	30 days, 0 in 5	MIL-PRF-28861, Para. 4.6.10
Insertion Loss at Temperature Extremes (Note1)	6 months, 1 in 4	90 days, 2 in 25	30 days, 0 in 5	MIL-PRF-15733, Para. 4.6.9 MIL-PRF-28861, Para. 4.6.5
Operation at Reduced Barometric Pressure (Note1)	6 months, 1 in 4	90 days, 2 in 25	30 days, 0 in 5	Method 105 MIL-PRF-15733,(50,000 ft. simulation) MIL-PRF-28861 (150,000 ft. simulation)
Salt Spray (Corrosion) (Note 1)	6 months, 1 in 4	90 days, 1 in 5	90 days, 0 in 5	Method 101 MIL-PRF-15733, Condition B MIL-PRF-28861, Condition A
Temperature Rise	Not required	90 days, 2 in 25	30 days, 0 in 5	MIL-PRF-28861, Para. 4.6.11
Current Overload	Not required	90 days, 2 in 25	30 days, 0 in 5	MIL-PRF-28861, Para. 4.6.14
Thermal Shock and Immersion (Note 2)	6 months, 1 in 4	90 days, 2 in 25	30 days, 0 in 5	Method 107, Condition A Method 104, Condition A
Resistance to Soldering Heat (Note 2)	6 months, 1 in 4	90 days, 1 in 5	90 days, 0 in 5	Method 210, Condition B
Resistance to Solvents (Note 2)	6 months, 1 in 4	90 days, 1 in 3	90 days, 0 in 3	Method 215
Terminal Strength (Note 2)	6 months, 1 in 4	90 days, 2 in 25	30 days, 0 in 5	Method 211, Condition A (5 lbs.)
Solderability	90 days, 1 in 0	90 days, 1 in 5	90 days, 0 in 5	Method 208
Life Test	90 days, 1 in 10	90 days, 1 in 10	90 days, 0 in 22	Method 108 MIL-PRF-15733, 250 hours MIL-PRF-28861, 1000 hours
Mechanical Shock	6 months, 1 in 4	6 months, 1 in 10	6 months, 0 in 5	Method 213 MIL-PRF-15733, condition K, 30 Gs MIL-PRF-28861, Class B, Condition I, 100 Gs MIL-PRF-28861, Class S, Condition F, 1500 Gs
High-Frequency Vibration	6 months, 1 in 4	6 months, 1 in 10	6 months, 0 in 5	Method 204 MIL-PRF-15733, Condition B, 15 Gs MIL-PRF-28861, Condition E, 50 Gs
Moisture Resistance	6 months, 1 in 4	6 months, 1 in 10	6 months, 0 in 5	Method 106
Destructive Physical Analysis	Not required	Not required	90 days	MIL-PRF-28861, Appendix B, 2 pieces

NOTES:

1. MIL-PRF-15733 allows one failure in four as a result of three tests: Insertion Loss, Barometric Pressure, Salt Spray.
2. MIL-PRF-15733 allows one failure in four as a result of four tests: Thermal Shock/Immersion, Resistance to Soldering Heat, Resistance to Solvents, Terminal Strength.

DC-RATED CERAMIC EMI-RFI FILTERS

C (20 dB / DECADE)

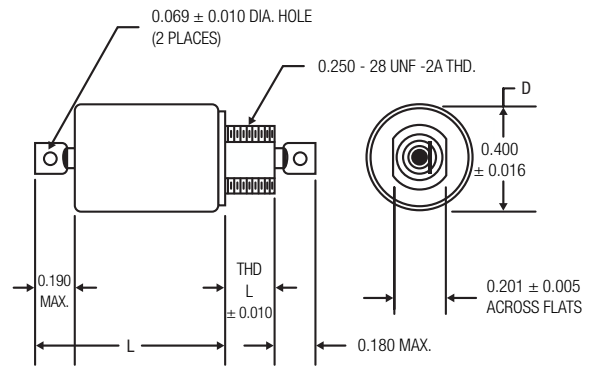
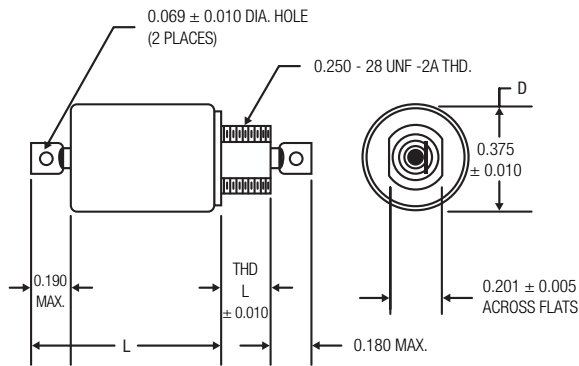
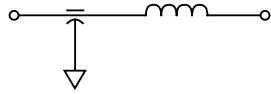


Current Rating (A)	DC Voltage Rating		D (in.)	Max. L (in.)	Thd. L (in.)	Min. Cap. (µF)	Max. R _{DC} (Ω)	Minimum Insertion Loss +25°C per MIL-STD-220							Dearborn Part Number
	@85°C (V)	@125°C (V)						30kHz (dB)	75kHz (dB)	100kHz (dB)	150kHz (dB)	1MHz (dB)	10MHz (dB)	1GHz (dB)	
7.0	100	50	0.400	0.440	0.187	0.75	0.01	8.0	14	16	20	37	50	60	7JX2503
7.0	100	50	0.400	0.440	0.187	0.75	0.01	10	18	20	24	40	55	60	7JX2502
7.0	100	50	0.400	0.440	0.187	0.25	0.01	-	7.0	10	13	30	50	60	7JX2501
7.0	100	50	0.400	0.440	0.312	0.75	0.01	8.0	14	16	20	37	50	60	7JX2103
7.0	100	50	0.400	0.440	0.312	0.75	0.01	10	18	20	24	40	55	70	7JX2102
7.0	100	50	0.400	0.440	0.312	0.25	0.01	-	8.0	12	15	30	50	60	7JX2101
7.0	250	150	0.400	0.440	0.187	0.25	0.01	5.0	12	14	17	32	50	60	7JX2505
7.0	250	150	0.400	0.440	0.312	0.25	0.01	-	7.0	10	13	30	50	60	7JX2105
7.0	300	200	0.400	0.440	0.312	0.15	0.01	-	-	-	6.0	21	40	60	7JX2104
10	100	50	0.375	0.550	0.187	1.5	0.004	15	22	26	30	43	60	70	10JX2569
15	100	50	0.375	0.350	0.187	0.5	0.004	7.0	15	17	21	37	47	70	15JX2541A
15	100	50	0.375	0.370	0.187	1.5	0.004	15	24	27	30	46	60	70	15JX2531
15	100	50	0.400	0.370	0.187	1.5	0.004	15	24	27	30	46	60	70	15JX2529
15	100	50	0.400	0.440	0.312	1.5	0.004	15	24	27	30	46	60	70	15JX2151
15	100	50	0.375	0.690	0.312	3.0	0.004	25	32	35	38	53	67	70	15JX2111
15	175	100	0.400	0.580	0.312	1.0	0.004	14	22	24	28	44	60	70	15JX2124
15	175	100	0.400	0.580	0.187	1.0	0.004	11	18	21	24	41	49	70	15JX2587
15	250	150	0.400	0.780	0.312	0.25	0.004	-	8.0	12	15	30	50	70	15JX3119
15	250	150	0.400	0.370	0.187	0.25	0.004	-	10	13	16	31	50	60	15JX2588

DC-RATED CERAMIC EMI-RFI FILTERS

L1 (40 dB/DECADE)

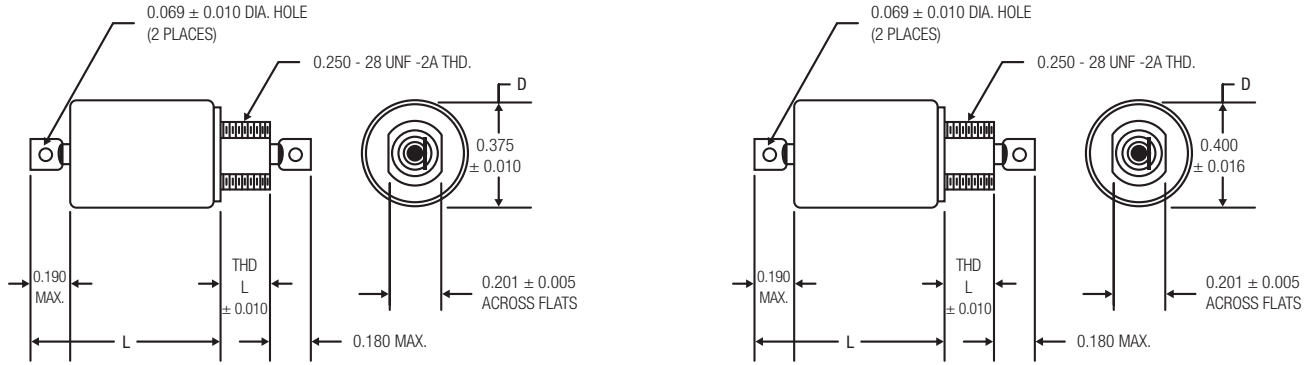
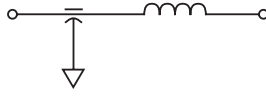
L1 (40 dB / DECADE)



Current Rating (A)	DC Voltage Rating		D (in.)	Max. L (in.)	Thd. L (in.)	Min. Cap. (µF)	Max. R _{DC} (Ω)	Minimum Insertion Loss +25°C per MIL-STD-220						Dearborn Part Number	
	@85°C (V)	@125°C (V)						30kHz (dB)	75kHz (dB)	100kHz (dB)	150kHz (dB)	1MHz (dB)	10MHz (dB)		1GHz (dB)
0.1	100	50	0.400	0.630	0.312	0.25	1.65	9.0	23	29	39	70	70	70	1JX2206
0.1	100	50	0.400	0.630	0.312	0.75	1.7	20	35	41	48	70	70	70	1JX2203
0.1	100	50	0.400	0.630	0.187	0.75	1.7	20	35	41	48	70	70	70	1JX2603
0.1	100	50	0.375	0.730	0.312	1.5	2.23	26	43	48	54	80	80	80	1JX6221A
0.1	100	50	0.375	0.730	0.187	1.5	2.23	26	43	48	54	80	80	80	1JX6201A
0.1	200	100	0.400	0.630	0.312	0.25	1.7	11	26	32	39	60	60	60	1JX2205
0.1	200	100	0.400	0.630	0.187	0.25	1.7	11	26	32	39	60	60	60	1JX2605
0.1	200	100	0.400	0.630	0.187	0.0012	0.7	-	-	-	4.0	22	52	70	1JX6408A
0.1	300	150	0.400	0.630	0.312	0.15	1.65	6.0	20	24	33	60	60	60	1JX2204
0.15	100	50	0.375	0.740	0.312	1.5	1.75	24	39	45	48	70	70	70	1JX2252E
0.15	100	50	0.400	0.760	0.312	1.5	1.5	25	40	46	51	70	70	70	1JX2252C
0.15	100	50	0.375	0.740	0.312	1.5	1.35	24	39	44	51	80	80	80	1JX6063A
0.15	100	50	0.375	0.740	0.187	1.5	1.35	8.0	15	18	22	50	70	70	1JX6061A
0.25	175	100	0.400	0.740	0.187	0.5	0.75	-	25	29	37	70	80	80	1JX6065A
0.3	100	50	0.400	0.630	0.312	0.75	0.7	15	31	35	42	70	70	70	1JX2213
0.3	100	50	0.400	0.630	0.187	0.75	0.75	15	31	35	42	70	70	70	1JX2613
0.3	200	100	0.400	0.630	0.312	0.25	0.7	6.0	22	25	32	60	60	60	1JX2215
0.3	200	100	0.400	0.630	0.187	0.25	0.75	6.0	22	25	32	60	60	60	1JX2615
0.45	100	50	0.375	0.760	0.312	1.5	0.7	16	34	37	42	70	70	70	1JX2255E
0.45	100	50	0.400	0.770	0.187	1.5	0.45	20	33	39	45	70	70	70	1JX6085A
0.45	100	50	0.375	0.740	0.312	1.5	0.7	18	33	35	44	76	80	80	1JX6064A
0.45	100	50	0.375	0.740	0.187	1.5	0.7	18	33	35	44	76	80	80	1JX6062A
0.5	100	50	0.400	0.630	0.312	0.75	0.35	12	25	29	36	69	70	70	1JX2223
0.5	100	50	0.400	0.630	0.187	0.75	0.35	12	25	29	36	69	70	70	1JX2623
0.5	150	100	0.400	0.800	0.187	0.5	0.5	11	24	31	37	70	80	80	1JX6077A
0.5	200	100	0.400	0.630	0.312	0.25	0.35	3.0	15	20	26	59	60	60	1JX2225
0.5	200	100	0.400	0.630	0.187	0.25	0.35	3.0	15	20	26	59	60	60	1JX2625
0.5	200	150	0.400	0.750	0.187	0.25	0.5	-	16	24	28	60	70	70	1JX6081A
1.0	100	50	0.400	0.630	0.312	0.75	0.14	11	18	21	26	55	70	70	1JX2233
1.0	100	50	0.400	0.630	0.187	0.75	0.14	11	18	21	26	55	70	70	1JX2633
1.0	100	50	0.400	0.570	0.187	1.5	0.2	15	24	30	36	65	70	70	1JX6130B
1.0	100	50	0.400	0.630	0.187	1.5	0.14	15	24	29	34	64	70	70	1JX6094A
1.0	100	50	0.400	0.800	0.187	0.75	0.3	-	24	53	66	68	70	70	1JX6015A

DC-RATED CERAMIC EMI-RFI FILTERS

L1 (40 dB / DECADE)

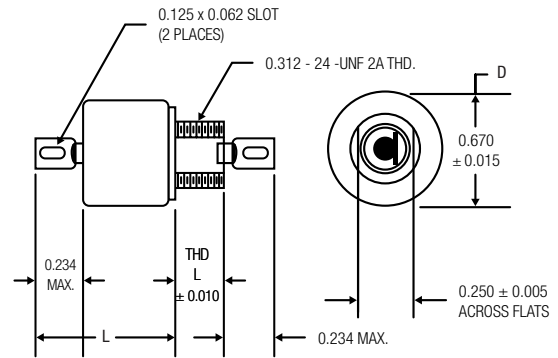
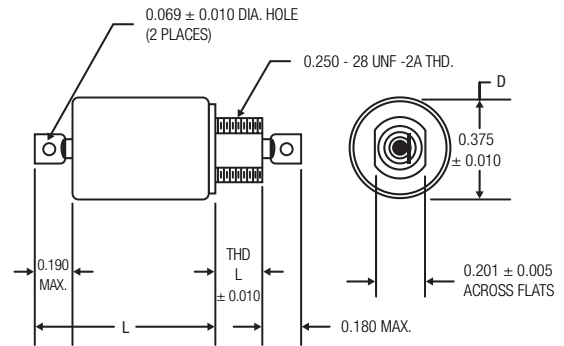
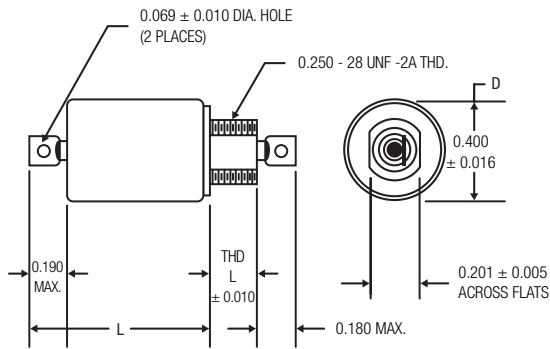


Current Rating (A)	DC Voltage Rating		D (in.)	Max. L (in.)	Thd. L (in.)	Min. Cap. (µF)	Max. R _{DC} (Ω)	Minimum Insertion Loss +25°C per MIL-STD-220							Dearborn Part Number
	@85°C (V)	@125°C (V)						30kHz (dB)	75kHz (dB)	100kHz (dB)	150kHz (dB)	1MHz (dB)	10MHz (dB)	1GHz (dB)	
1.0	150	100	0.400	0.800	0.187	0.5	0.24	8.0	16	23	28	61	70	80	1JX6078A
1.0	175	100	0.400	0.770	0.187	0.5	0.14	-	-	-	24	54	80	80	1JX6066A
1.0	200	100	0.400	0.630	0.312	0.25	0.14	3.0	9.0	12	16	46	60	60	1JX2235
1.0	200	100	0.400	0.630	0.187	0.25	0.14	3.0	9.0	12	16	46	60	60	1JX2635
1.0	250	150	0.400	0.750	0.187	0.25	0.24	-	12	14	20	52	80	80	1JX6082A
1.0	300	150	0.400	0.630	0.187	0.15	0.135	-	5.0	8.0	11	43	60	60	1JX2634
2.0	100	50	0.400	0.630	0.312	0.75	0.06	10	15	20	24	48	70	70	2JX2243
2.0	100	50	0.400	0.630	0.187	0.75	0.06	10	15	20	24	48	70	70	2JX2643
2.0	100	50	0.400	0.630	0.187	0.25	0.055	4.0	9.0	11	15	40	60	60	2JX2641
2.0	200	100	0.400	0.630	0.312	0.25	0.06	3.0	8.0	11	15	38	60	60	2JX2245
2.0	200	100	0.400	0.630	0.187	0.25	0.06	3.0	8.0	11	15	38	60	60	2JX2645
2.0	300	150	0.400	0.630	0.187	0.1	0.055	-	4.0	5.0	8.0	40	60	60	2JX2644
2.0	300	150	0.400	0.630	0.312	0.1	0.055	-	4.0	5.0	8.0	40	60	60	2JX2244
3.0	100	70	0.400	0.630	0.187	0.75	0.02	-	16	18	22	42	70	70	3JX6160A
3.0	175	100	0.400	0.800	0.187	0.5	0.023	-	13	15	19	43	70	70	3JX6079A
5.0	100	50	0.400	0.630	0.312	0.75	0.01	11	18	21	24	39	70	70	5JX2293
5.0	100	50	0.400	0.630	0.187	0.75	0.01	11	18	21	24	39	70	70	5JX2693
5.0	100	50	0.375	0.790	0.187	1.5	0.015	15	25	27	30	45	60	70	5JX6022A
5.0	100	50	0.400	0.760	0.187	1.5	0.01	16	24	26	30	48	70	70	5JX2678
5.0	175	85	0.400	0.770	0.187	0.5	0.01	8.0	14	17	20	38	60	70	5JX6067A
5.0	175	85	0.400	0.800	0.187	0.5	0.01	6.0	14	16	20	36	64	70	5JX6045A
5.0	200	100	0.400	0.630	0.312	0.25	0.01	-	11	14	17	32	61	70	5JX2295
5.0	200	100	0.400	0.630	0.187	0.25	0.01	-	11	14	17	32	61	70	5JX2695
10	100	50	0.375	0.730	0.187	1.5	0.004	15	22	26	30	43	60	70	10JX2548A
10	100	50	0.375	0.385	0.187	1.5	0.004	18	26	28	32	46	54	70	10JX2117
10	100	50	0.375	0.730	0.312	1.5	0.004	16	22	26	30	43	60	70	10JX2112A
10	100	50	0.400	0.440	0.187	1.5	0.008	15	24	27	30	46	60	70	10JX6292
10	100	50	0.375	0.760	0.187	1.5	0.004	15	24	27	30	46	60	70	10JX6043A
10	175	100	0.375	0.385	0.187	0.5	0.004	8.0	16	18	20	38	55	70	10JX2545
15	100	50	0.400	0.370	0.187	0.75	0.004	8.0	17	18	20	38	54	70	15JX2589
15	100	50	0.375	0.370	0.187	1.5	0.0025	16	24	27	28	44	58	70	15JX2543
15	100	50	0.400	0.370	0.187	1.5	0.004	15	24	27	30	46	60	70	15JX2527
15	100	50	0.375	0.370	0.312	1.5	0.004	15	24	27	30	46	60	70	15JX2143
20	100	50	0.375	0.550	0.187	1.5	0.002	15	24	26	30	46	55	70	20JX2584A

DC-RATED CERAMIC EMI-RFI FILTERS

L2 (40 dB/DECADE)

L2 (40 dB / DECADE)



Current Rating (A)	DC Voltage Rating		D (in.)	Max. L (in.)	Thd. L (in.)	Min. Cap. (µF)	Max. R _{DC} (Ω)	Minimum Insertion Loss +25°C per MIL-STD-220						Dearborn Part Number	
	@85°C (V)	@125°C (V)						30kHz (dB)	75kHz (dB)	100kHz (dB)	150kHz (dB)	1MHz (dB)	10MHz (dB)		1GHz (dB)
0.1	100	50	0.400	0.630	0.312	0.75	1.7	20	35	41	48	70	70	70	1JX2208
0.1	100	50	0.400	0.630	0.187	0.75	1.7	20	35	41	48	70	70	70	1JX2608
0.1	100	50	0.400	0.760	0.187	0.75	1.9	24	40	46	51	70	80	80	1JX6017A
0.1	100	50	0.375	0.730	0.312	1.5	2.23	26	43	48	54	80	80	80	1JX6221B
0.1	100	50	0.375	0.730	0.187	1.5	2.23	26	43	48	54	80	80	80	1JX6201B
0.1	200	100	0.400	0.630	0.312	0.25	1.7	11	26	32	39	60	60	60	1JX2210
0.1	200	100	0.400	0.630	0.187	0.25	1.7	11	26	32	39	60	60	60	1JX2610
0.15	100	50	0.375	0.740	0.312	1.5	1.35	24	39	44	51	80	80	80	1JX6063B
0.15	100	50	0.375	0.740	0.187	1.5	1.35	24	39	44	51	80	80	80	1JX6061B
0.25	175	100	0.400	0.770	0.187	0.5	0.75	-	25	29	37	70	80	80	1JX6065B
0.3	100	50	0.400	0.630	0.312	0.75	0.75	15	31	35	42	70	70	70	1JX2218
0.3	100	50	0.400	0.630	0.187	0.75	0.75	15	31	35	42	70	70	70	1JX2618
0.3	200	100	0.400	0.630	0.312	0.25	0.75	6.0	22	25	32	60	60	60	1JX2220
0.3	200	100	0.400	0.630	0.187	0.25	0.75	6.0	22	25	32	60	60	60	1JX2620
0.3	200	100	0.400	0.630	0.187	0.25	0.7	6.0	22	25	32	60	60	60	1JX2616
0.45	100	50	0.375	0.740	0.312	1.5	0.6	18	33	35	44	76	80	80	1JX6064B
0.45	100	50	0.375	0.730	0.187	1.5	0.7	18	33	35	44	76	80	80	1JX6062B
0.45	100	50	0.400	0.770	0.187	1.5	0.45	20	33	39	45	70	70	70	1JX6085B
0.5	100	50	0.400	0.630	0.312	0.75	0.35	12	25	29	36	69	70	70	1JX2228
0.5	100	50	0.400	0.630	0.187	0.75	0.35	12	25	29	36	69	70	70	1JX2628
0.5	150	100	0.400	0.740	0.187	1.0	0.2	13	23	28	33	64	70	70	1JX6090B
0.5	150	75	0.400	0.800	0.187	0.5	0.5	11	24	31	37	70	80	80	1JX6077B
0.5	200	100	0.400	0.630	0.312	0.25	0.35	3.0	15	20	26	59	70	70	1JX2230
0.5	200	100	0.400	0.630	0.187	0.25	0.35	3.0	15	20	26	59	60	60	1JX2630
0.5	200	150	0.400	0.750	0.187	0.25	0.5	-	16	24	28	60	70	70	1JX6081B
1.0	100	50	0.400	0.630	0.312	0.75	0.14	11	18	21	26	55	70	70	1JX2238
1.0	100	50	0.400	0.630	0.187	0.75	0.14	11	18	21	26	55	70	70	1JX2638
1.0	100	50	0.400	0.760	0.187	1.5	0.025	17	28	30	35	70	80	80	1JX6068B
1.0	150	75	0.400	0.800	0.187	0.5	0.24	8.0	16	23	28	61	70	80	1JX6078B
1.0	175	100	0.400	0.770	0.187	0.5	0.14	-	-	-	24	54	80	80	1JX6066B
1.0	175	100	0.670	1.140	0.312	1.0	0.60	16	32	37	43	70	70	70	1JX6111B