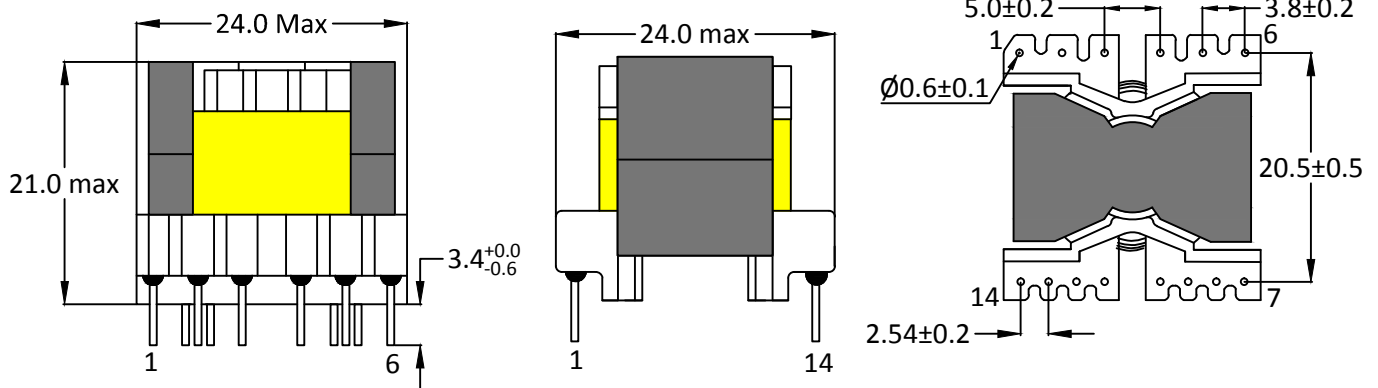
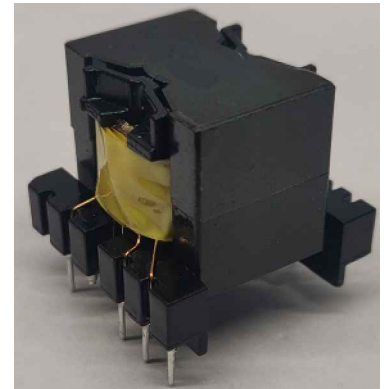


HIGH FREQUENCY SMPS TRANSFORMER

PQ 20*16

INFORMATION:

- Size : 24(L) * 24.0(W) * 21.0(H)
- Power : 45W - 59W
- Operating frequency range : 50kHz - 100kHz
- Mounting orientation: Vertical
- Effective Ae (mm²) : 62.0

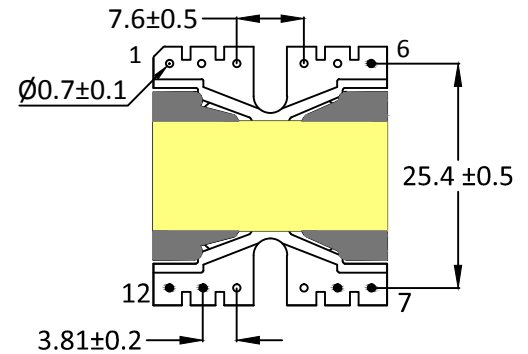
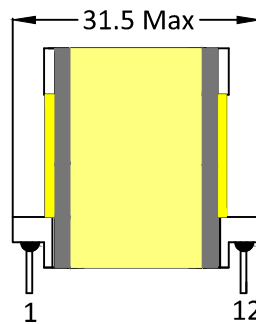
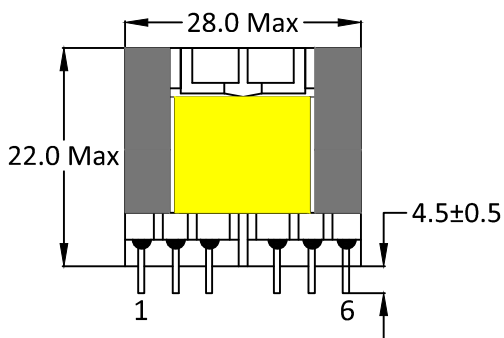
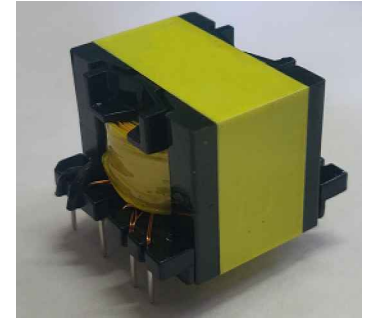


HIGH FREQUENCY SMPS TRANSFORMER

PQ 26*20

INFORMATION:

- Size : 31.5(L) * 28.0(W) * 22.0(H)
- Power : 100W - 129W
- Operating frequency range : 50kHz - 100kHz
- Mounting orientation : Vertical
- Effective Ae (mm²) : 120.1

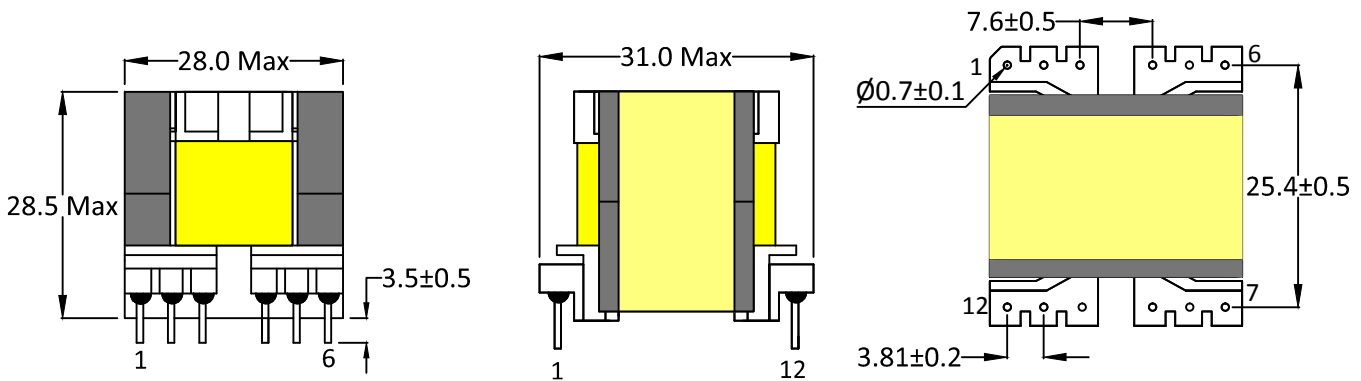


HIGH FREQUENCY SMPS TRANSFORMER

PQ 26*25 (High profile)

Information:

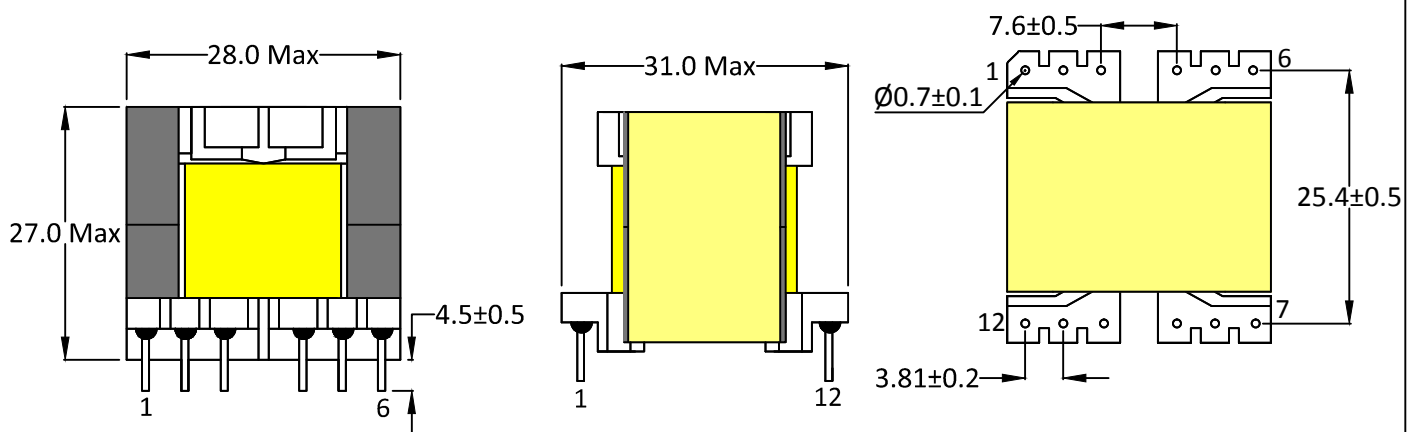
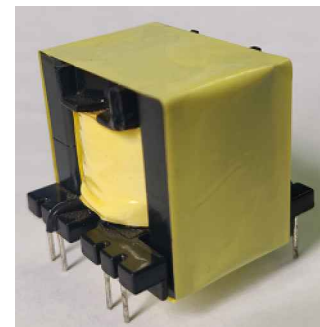
- Size : 31(L) * 28.0(W) * 28.5(H)
- Power : 135W - 174W
- Operating frequency range : 50kHz - 100kHz
- Mounting orientation : Vertical
- Effective Ae (mm²) : 121.4



PQ 26*25 (Low profile)

INFORMATION:

- Size : 31(L) * 28.0(W) * 27.0(H)
- Power : 135W - 174W
- Operating frequency range : 50kHz - 100kHz
- Mounting orientation: Vertical
- Effective Ae (mm²) : 121.4

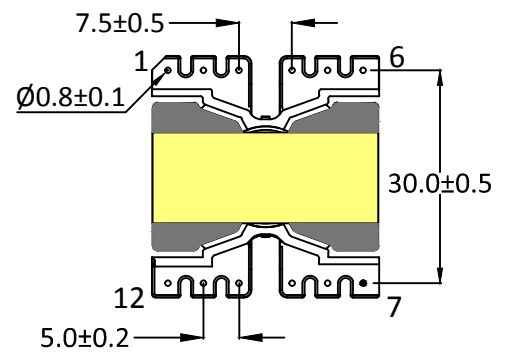
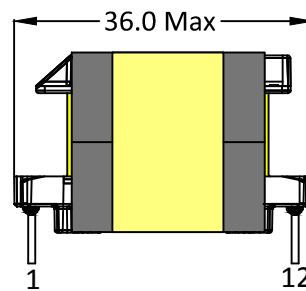
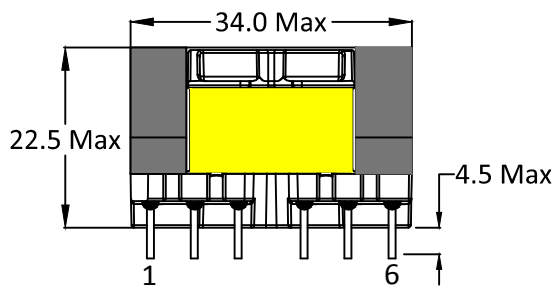
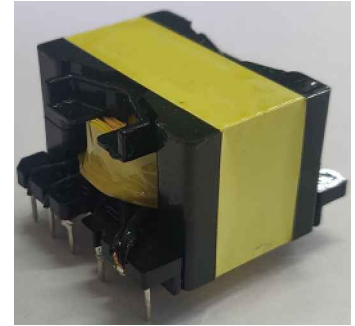


HIGH FREQUENCY SMPS TRANSFORMER

PQ 32*20

INFORMATION:

- Size : 36(L) * 34.0(W) * 22.5(H)
- Power : 157W - 202W
- Operating frequency range : 50kHz - 100kHz
- Mounting orientation: Vertical
- Effective Ae (mm²) : 163.6

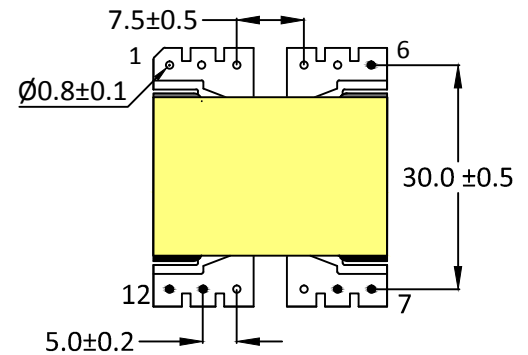
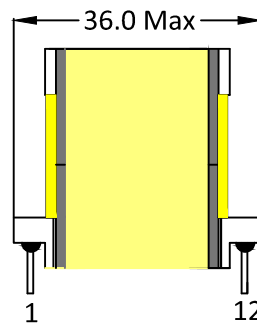
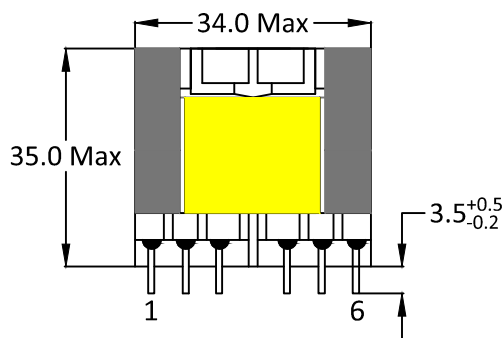


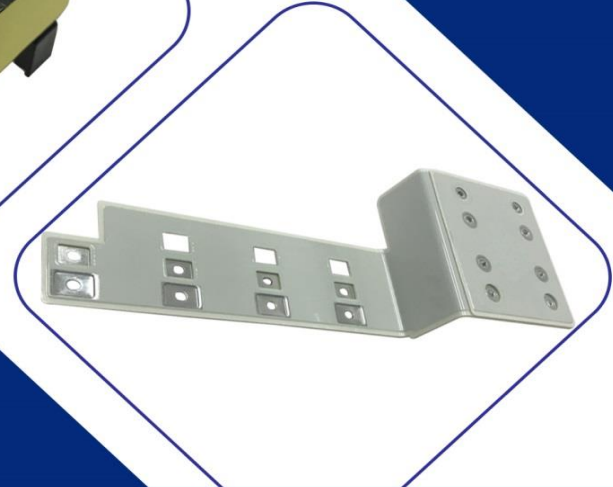
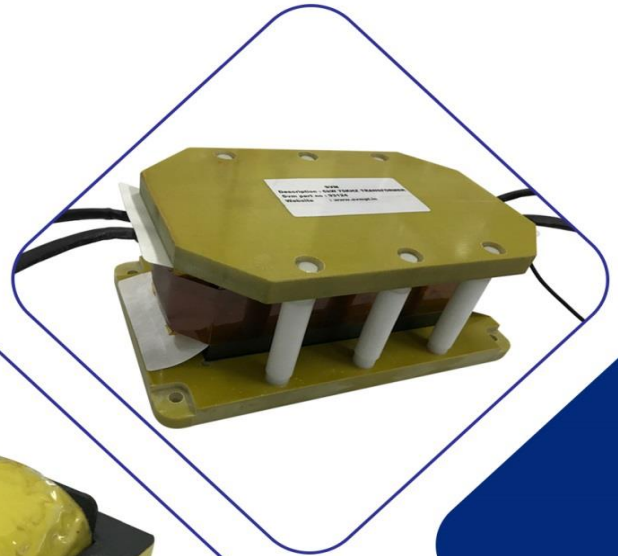
HIGH FREQUENCY SMPS TRANSFORMER

PQ 32*30

INFORMATION:

- Size : 36.0(L) * 34.0(W) * 35.0(H)
- Power : 268W - 344W
- Operating frequency range : 50kHz - 100kHz
- Mounting orientation : Vertical
- Effective Ae (mm²) : 161.0





Smart Solutions For Your Critical Magnetics

About SVM:

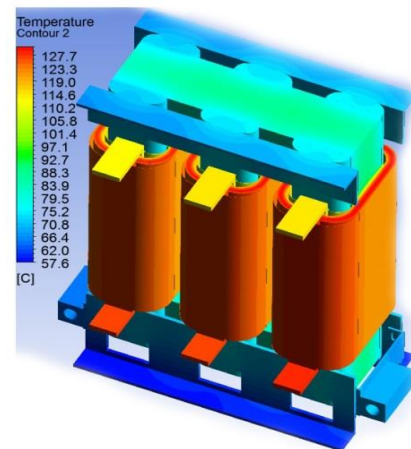
- ✦ Established in 1989, 30 years old company experienced in Design, Develop and Manufacture of Coils and Transformers for both High Frequency and Low frequency applications.
- ✦ SVM has the state of art manufacturing facilities to meet varied customer needs supported by well experienced Design and Manufacturing teams with strong vertical integration.
- ✦ Largest manufacturer of coils and transformers in India from low, mid to high volume. Capacity in excess of 10 Million numbers per Month.
- ✦ Product Application support, Rapid product development and sample delivery.
- ✦ Serving its customers across various fields from Power, Lighting, Medical electronics, Electric Vehicle, Automobile, Communications and other Electronic applications.

Design Solution:

- ✦ The Team at SVM can Engineer your ideas and convert them into End Use Components
- ✦ Design and Manufacture a wide range of Custom Magnetics for Various Application to meet Lower Leakage Inductance, Low Capacitance & High dielectric with stand voltage.
- ✦ Expertise in MATLAB, FEMM Modelling and Thermal Simulation of Magnetic components
- ✦ Vast Knowledge Base - Engineers with 20 Years of average Experience handled more than 300 critical Projects

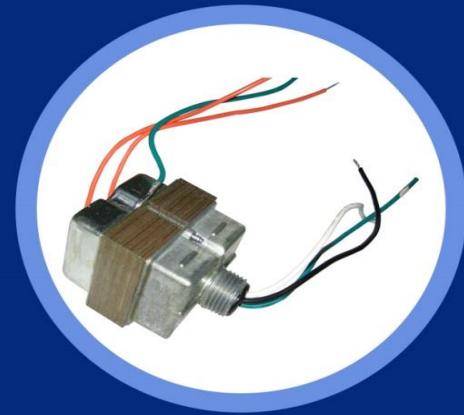
Product Line of Magnetic components includes:

- ✦ High Frequency Transformers (High Voltage and Low Voltage)
- ✦ Planar Magnetics
- ✦ Inductors (High frequency High Current, Air core Inductor)
- ✦ Reactors and Water Cooled Inductor,
- ✦ Chokes (EMI/EMC Chokes, CMC, DMC),
- ✦ SMPS Transformers,
- ✦ Linear Power Transformer,
- ✦ Current Transformers (Conventional and Hall Effect Current Transformers),
- ✦ Bus bars (Laminated, Powder Coated and Molded Bus bars)



Vertically Integrated Facility:

- ✦ Design of Bobbins, injection molds, manufacture of Bobbins in Thermoset (Phenolic) and Thermo Plastic materials from conventional to high performance grades.
- ✦ In house Litz Wire Manufacturing Facility - both Round Litz and Rectangular Type 8 litz for captive consumption
- ✦ In house tool room for Precision machining of plastics and metals for rigid mounting.
- ✦ In house Lamination Stamping and Sheet metal fabrication to meet custom design of magnetics
- ✦ Design and manufacture of packaging materials to meet customer specific packaging requirements to suit transport through road or air or ocean



Manufacturing Facility:

- ★ Multi spindle CNC Winding Machines
- ★ Automatic Test equipment's (ATE)
- ★ Copper Foil Winding Machines
- ★ Vacuum Impregnation plant
- ★ Automatic Pressure Gelation Machine (Resin casting)

Test Facility:

- ★ Partial Discharge Test up to 100kV AC
- ★ Load Test up to 50kVA (50HZ operating frequency)
- ★ Dielectric Strength Test both AC and DC
- ★ Precision LCR Magnetic Analyzer for measuring Inductance, Impedance, Capacitance, and AC Resistance
- ★ DC Bias Test up for Inductors
- ★ Temperature Data Logger

Quality:

- ★ SVM is an ISO 9001:2015, ISO 14001:2015 Certified Organization
- ★ SVM Pvt Ltd is committed to provide its Customers Right Quality Products, On-time delivery and ever improving levels of Satisfaction through "Continual improvement"

UL File No: E251904

- ★ Class 130 (B) coil and transformer insulation systems designated CIS.04, SIS-130
- ★ Class 155 (F) electrical insulation systems designated SIS-155- 1

Safety and Regulatory Standards

- ★ IEC 60601-1, UL 60601, ES 60601-1:2005
- ★ IEC 61558-2- 13, IEC 61558-2- 4
- ★ UL 5085-1, UL5085-2

Reliability Standards

- ★ IEC62211 Level B (Vibration test, Drop test, Humidity test, Solder-ability test, Temperature cycle test, Continuous Vibration test)
- ★ Meets ROHS, REACH, Packaging Regulations, 3TG-Conflict Minerals Compliance Requirements
- ★ SVM is the registered member in BOMcheck for Regulatory Compliance Declarations



Address:



Survey No.9/1, Thiruvalluvar Salai,
Kannivakkam Village,
Guduvanchery - 603 202.
Kancheepuram District,
Chennai, Tamilnadu,
India.



+91 44 27438531 | +91 44 27438532



info@svmpl.in, marketing@svmpl.in



www.svmpl.in



EXXELIA

