

SCHEMATIC DIAGRAM

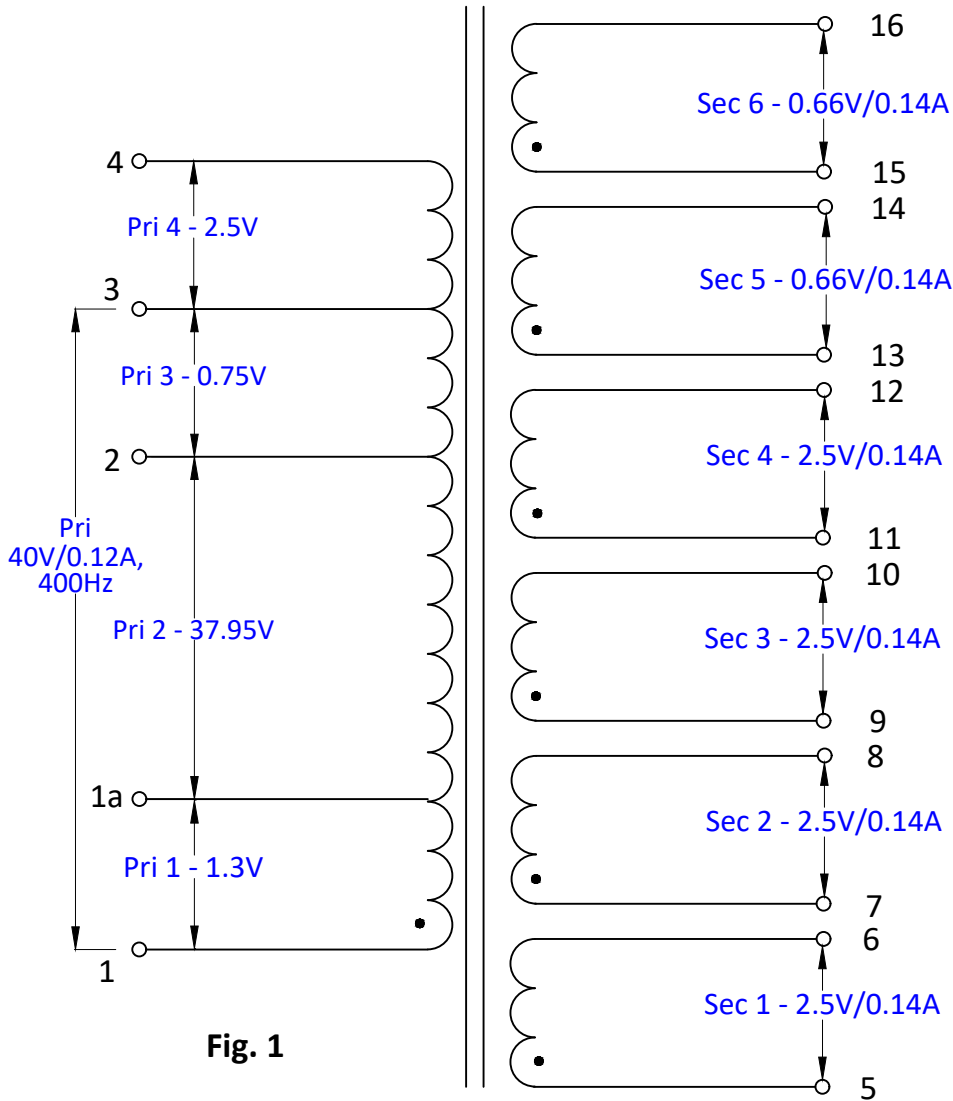


Fig. 1

● Indicates the starting of Winding

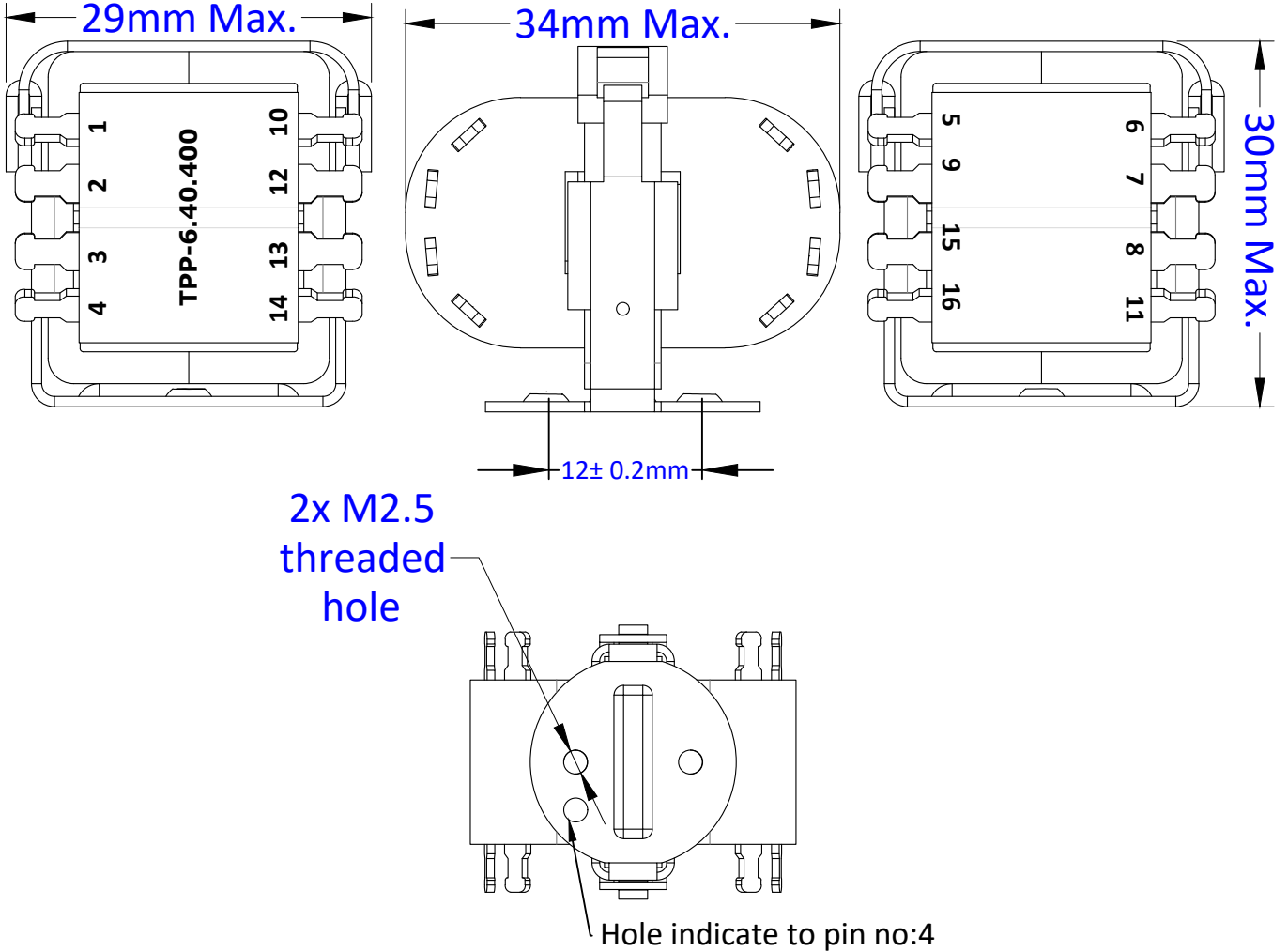
ROHS COMPLIANT

TITLE : Schematic Diagram					PART DESC		
					Transformer		
					CUSTOMER PART NO		SVM PART CODE
							91048
					REV	DATE	SHEET
					A	12-07-2023	1 of 3
CH LTR	ALT NO	SIGN	DATE	CHANGES			
	A		12-07-2023	Initial Release			
ALL DIMENSIONS ARE IN mm.				GENERAL TOLERANCE ± 0.05 mm UNLESS OTHERWISE SPECIFIED			
							SCALE : NTS
							SIZE : A4
DRAWN					CHECKED	APPROVED	

This document is the private property of the company. It must not be reproduced, disclosed to any third parties or used for manufacturing purposes without permission in writing from the company.

Deliveries to be only as per the approved sample. Any change in tool (making, replacement) and material only with prior approval.

MECHANICAL DIMENSION



This document is the private property of the company. It must not be reproduced, disclosed to any third parties or used for manufacturing purposes without permission in writing from the company.

Deliveries to be only as per the approved sample. Any change in tool (making, replacement) and material only with prior approval.

ROHS COMPLIANT

TITLE : Mechanical Diagram				PART DESC	
				Transformer	
				CUSTOMER PART NO	SVM PART CODE
					91048
		REV	DATE	SHEET	
		A	12-07-2023	2 of 3	
CH LTR	ALT NO	SIGN	DATE	CHANGES	
			12-07-2023	Initial Release	
ALL DIMENSIONS ARE IN mm.			GENERAL TOLERANCE ± 0.05 mm UNLESS OTHERWISE SPECIFIED		

		SCALE : NTS
		SIZE : A4
DRAWN	CHECKED	APPROVED



ELECTRICAL SPECIFICATION

1.Voltage given at the primary windings of the transformer

Mains rated voltage V. across terminals 1& 3	Voltage across			Tolerance %
	1-1a	2-3	3-4	
40V at 400Hz	1.3V	0.75V	2.5V	1% of mains Nominal voltage

2.Secondary winding voltage in open circuit condition

Open circuit current A (Max)	Secondary winding Voltage					
	Tolerance $\pm 3\%$			Tolerance $\pm 10\%$		
	5-6	7-8	9-10	11-12	13-14	15-16
0.12	2.96	2.96	3.0	3.0	0.78	0.78

3.Secondary voltage & current in rated load current

Primary current A (Max)	Secondary Voltage						Secondary windings Current (A)
	Tolerance +10%,-5%			Tolerance +14%,-10%			
	5-6	7-8	9-10	11-12	13-14	15-16	
0.12	2.5	2.5	2.5	2.5	0.66	0.66	0.14

ROHS COMPLIANT

TITLE : Electrical Specification

PART DESC

Transformer

CUSTOMER PART NO

SVM PART CODE

91048

REV

DATE

SHEET

A

12-07-2023

3 of 3

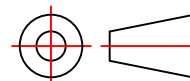
CH LTR

ALT NO

SIGN

DATE

CHANGES



SCALE : NTS

ALL DIMENSIONS ARE IN mm.

GENERAL TOLERANCE ± 0.05 mm
UNLESS OTHERWISE SPECIFIED

SIZE : A4

svm
CHENNAI

DRAWN

CHECKED

APPROVED

This document is the private property of the company. It must not be reproduced, disclosed to any third parties or used for manufacturing purposes without permission in writing from the company.

Deliveries to be only as per the approved sample. Any change in tool (making, replacement) and material only with prior approval.

ELECTRICAL SPECIFICATION


1. Insulation resistance : Across windings As well as between body & Windings : $\geq 1000M\Omega$ at 500VDC
2. Insulation strength :
 - Primary winding to body : 500V, 50Hz
 - Primary to secondary winding : 500V, 50Hz
 - Secondary winding & Body : 500V, 50Hz
 - Across the Secondary windings : 500V, 50Hz
3. Primary winding voltage across 1&3 : 38V(Min), 42V(Max)
4. Main frequency : 360Hz (Min), 1000Hz(Max)
5. Temperature rise : $\leq 55^{\circ}C$
6. Weight : < 38 gram
7. Part No : TPP6-40-400
(Equivalent to Russian transformer TIII6-40-400)

ENVIRONMENTAL TESTS :

The transformer will meet thermal & humidity requirements.

1. High operating temperature of medium : $85^{\circ} \pm 2^{\circ}C$
2. Low operating temperature of medium : $-60^{\circ}C$
3. Temperature variation of medium : $-60^{\circ}C$ to $+85^{\circ}C$
4. High relative humidity at temperature of medium $25^{\circ}C$: $98+0/-5\%$

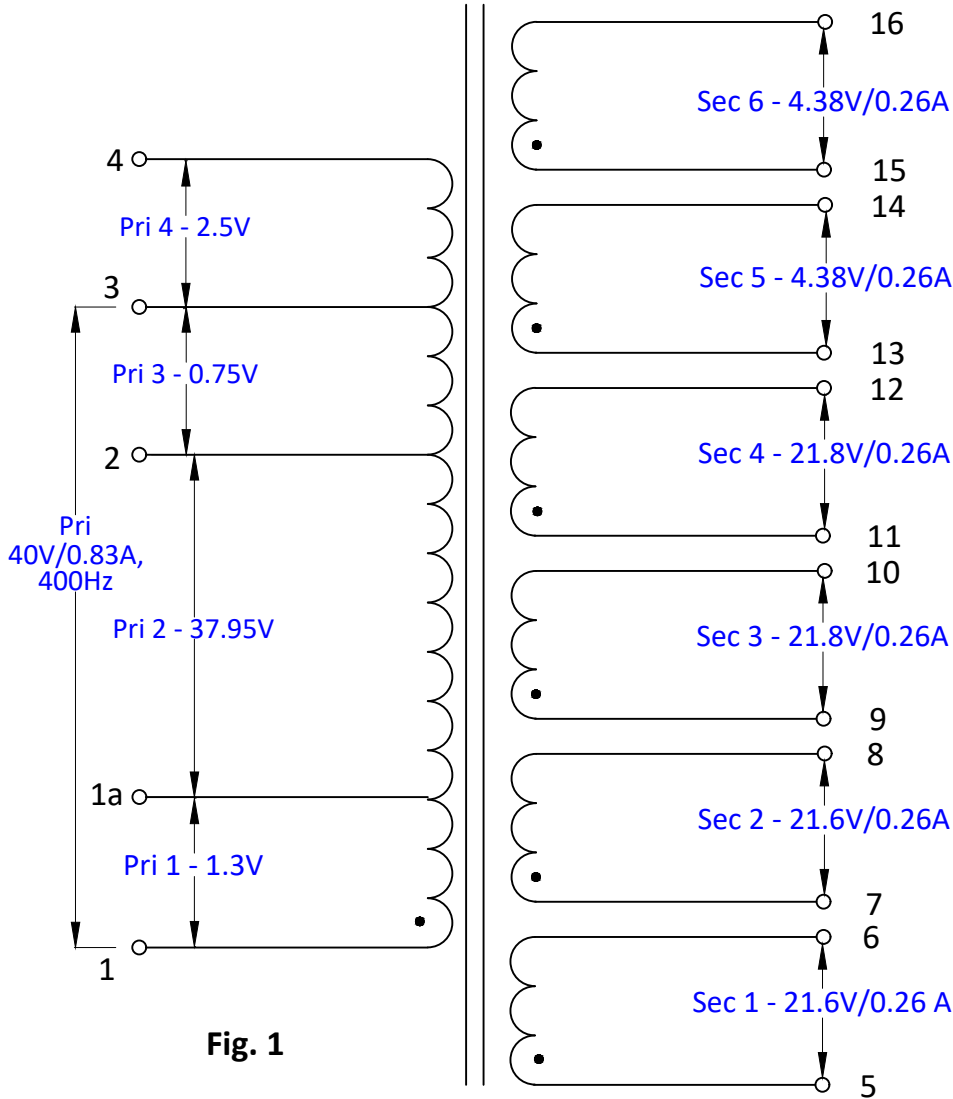
ROHS COMPLIANT

TITLE : Electrical Specification				PART DESC		
				Transformer		
				CUSTOMER PART NO		SVM PART CODE
						91048
				REV	DATE	SHEET
				A	12-07-2023	3 of 3
CH LTR	ALT NO	SIGN	DATE	CHANGES		
	A		12-07-2023	Initial Release		
ALL DIMENSIONS ARE IN mm.				GENERAL TOLERANCE ± 0.05 mm UNLESS OTHERWISE SPECIFIED		
				DRAWN		CHECKED
						APPROVED

This document is the private property of the company. It must not be reproduced, disclosed to any third parties or used for manufacturing purposes without permission in writing from the company.

Deliveries to be only as per the approved sample. Any change in tool (making, replacement) and material only with prior approval.

SCHEMATIC DIAGRAM



● Indicates the starting of Winding

ROHS COMPLIANT

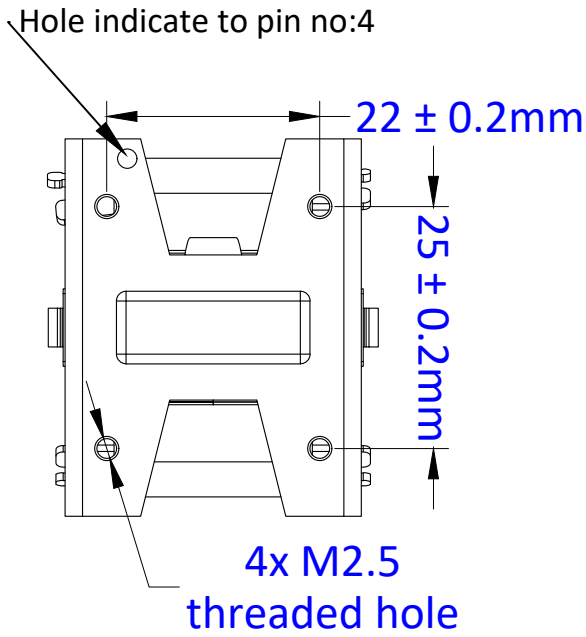
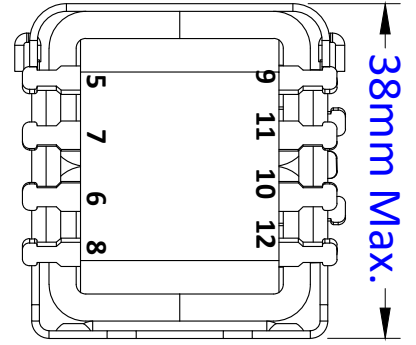
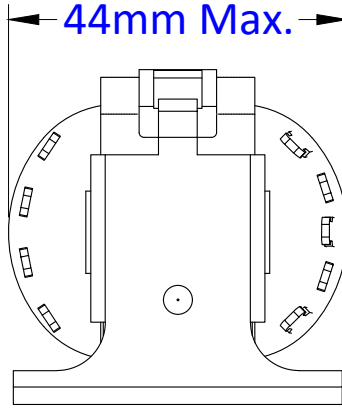
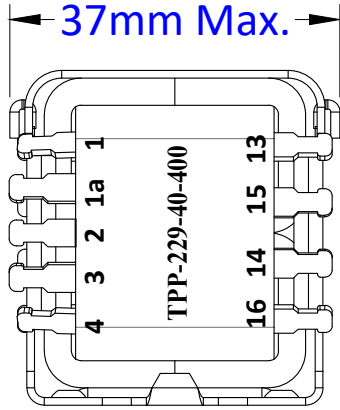
TITLE : Schematic Diagram					PART DESC		
					Transformer		
					CUSTOMER PART NO		SVM PART CODE
							91047
					REV	DATE	SHEET
					A	12-07-2023	1 of 3
CH LTR	ALT NO	SIGN	DATE	CHANGES			
A			12-07-2023	Initial Release			
ALL DIMENSIONS ARE IN mm.				GENERAL TOLERANCE ± 0.05 mm UNLESS OTHERWISE SPECIFIED			
							SCALE : NTS
							SIZE : A4
					DRAWN	CHECKED	APPROVED

This document is the private property of the company. It must not be reproduced, disclosed to any third parties or used for manufacturing purposes without permission in writing from the company.

Deliveries to be only as per the approved sample. Any change in tool (making, replacement) and material only with prior approval.

This document is the private property of the company. It must not be reproduced, disclosed to any third parties or used for manufacturing purposes without permission in writing from the company.

MECHANICAL DIMENSION



ROHS COMPLIANT

TITLE : Mechanical Diagram				PART DESC		
				Transformer		
				CUSTOMER PART NO		SVM PART CODE
						91047
		REV	DATE	SHEET		
A		12-07-2023	Initial Release		2 of 3	
CH LTR	ALT NO	SIGN	DATE	CHANGES		
				SCALE : NTS		
ALL DIMENSIONS ARE IN mm.				GENERAL TOLERANCE ± 0.05 mm UNLESS OTHERWISE SPECIFIED		
						SIZE : A4
				DRAWN		CHECKED
						APPROVED

Deliveries to be only as per the approved sample. Any change in tool (making, replacement) and material only with prior approval.

ELECTRICAL SPECIFICATION

1.Voltage given at the primary windings of the transformer

Mains rated voltage V. across terminals 1& 3	Voltage across			Tolerance %
	1-1a	2-3	3-4	
40V at 400Hz	1.3V	0.75V	2.5V	1% of mains Nominal voltage

2.Secondary winding voltage in open circuit condition

Open circuit current A (Max)	Secondary winding Voltage					
	Tolerance $\pm 3\%$				Tolerance $\pm 10\%$	
	5-6	7-8	9-10	11-12	13-14	15-16
0.45	21.6	21.6	21.8	21.8	4.38	4.38

3.Secondary voltage & current in rated load current

Primary current A (Max)	Secondary Voltage						Secondary windings Current (A)
	Tolerance $+10\%,-5\%$				Tolerance $+14\%,-10\%$		
	5-6	7-8	9-10	11-12	13-14	15-16	
0.83	20	20	20	20	4	4	0.26

ROHS COMPLIANT

TITLE : Electrical Specification

PART DESC

Transformer

CUSTOMER PART NO

SVM PART CODE

91047

REV

DATE

SHEET

A

12-07-2023

3 of 3

Initial Release

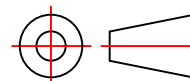
CH LTR

ALT NO

SIGN

DATE

CHANGES



SCALE : NTS

ALL DIMENSIONS ARE IN mm.

GENERAL TOLERANCE ± 0.05 mm
UNLESS OTHERWISE SPECIFIED

SIZE : A4

svm
CHENNAI

DRAWN

CHECKED

APPROVED

This document is the private property of the company. It must not be reproduced, disclosed to any third parties or used for manufacturing purposes without permission in writing from the company.

Deliveries to be only as per the approved sample. Any change in tool (making, replacement) and material only with prior approval.

ELECTRICAL SPECIFICATION

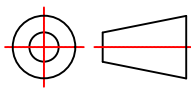

1. Insulation resistance : Across windings As well as between body & Windings : $\geq 1000\text{M}\Omega$ at 500VDC
2. Insulation strength :
 - Primary winding to body : 500V, 50Hz
 - Primary to secondary winding : 500V, 50Hz
 - Secondary winding & Body : 500V, 50Hz
 - Across the Secondary windings : 500V, 50Hz
3. Primary winding voltage across 1&3 : 38V(Min), 42V(Max)
4. Main frequency : 360Hz (Min), 1000Hz(Max)
5. Temperature raise : $\leq 55^\circ\text{C}$
6. Weight : <140gms
7. Part no : TPP229-40-400
(Equivalent to Russian transformer TIII229-40-400)

ENVIRONMENTAL TESTS :

The transformer will meet thermal & humidity requirements.

1. High operating temperature of medium : $85^\circ \pm 2^\circ\text{C}$
2. Low operating temperature of medium : -60°C
3. Temperature variation of medium : -60°C to $+85^\circ\text{C}$
4. High relative humidity at temperature of medium 25°C : $98+0/-5\%$

ROHS COMPLIANT

TITLE : Electrical Specification				PART DESC			
				Transformer			
				CUSTOMER PART NO		SVM PART CODE	
						91047	
				REV	DATE	SHEET	
				A	12-07-2023	3 of 3	
CH LTR	ALT NO	SIGN	DATE	CHANGES			
			12-07-2023	Initial Release			
ALL DIMENSIONS ARE IN mm.			GENERAL TOLERANCE ± 0.05 mm UNLESS OTHERWISE SPECIFIED				
							SCALE : NTS
						SIZE : A4	
				DRAWN		CHECKED	APPROVED

This document is the private property of the company. It must not be reproduced, disclosed to any third parties or used for manufacturing purposes without permission in writing from the company.

Deliveries to be only as per the approved sample. Any change in tool (making, replacement) and material only with prior approval.

SCHEMATIC DIAGRAM

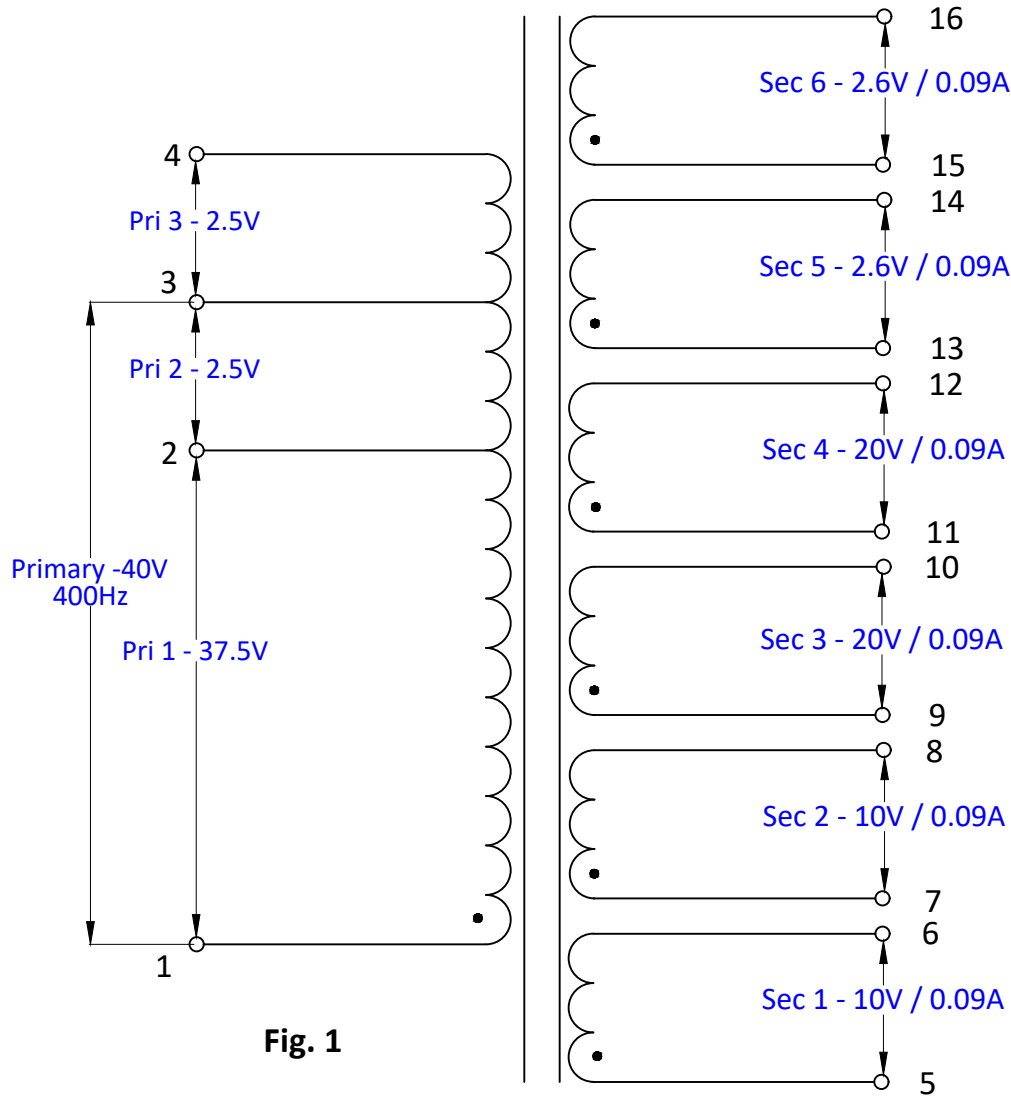


Fig. 1

● Indicates the starting of Winding

ROHS COMPLIANT

TITLE : Schematic Diagram					PART DESC		
					Transformer		
					CUSTOMER PART NO		SVM PART CODE
							98052
					REV	DATE	SHEET
					A	12-07-2023	1 of 3
CH LTR	ALT NO	SIGN	DATE	CHANGES			
ALL DIMENSIONS ARE IN mm.				GENERAL TOLERANCE ± 0.05 mm UNLESS OTHERWISE SPECIFIED			
							SCALE : NTS
							SIZE : A4
					DRAWN	CHECKED	APPROVED

This document is the private property of the company. It must not be reproduced, disclosed to any third parties or used for manufacturing purposes without permission in writing from the company.

Deliveries to be only as per the approved sample. Any change in tool (making, replacement) and material only with prior approval.

ELECTRICAL SPECIFICATION

1.Voltage given at the primary windings of the transformer

Mains rated voltage V. across terminals 1& 3	Voltage across			Tolerance %
	-	2-3	3-4	
40V at 400Hz	-	2.5V	2.5V	1% of mains Nominal voltage

2.Secondary winding voltage in open circuit condition

Open circuit current A (Max)	Secondary winding Voltage					
	Tolerance $\pm 3\%$			Tolerance $\pm 10\%$		
	5-6	7-8	9-10	11-12	13-14	15-16
0.21	11.3	11.3	22.4	22.4	3.02	3.02

3.Secondary voltage & current in rated load current

Primary current A (Max)	Secondary Voltage						Secondary windings Current (A)
	Tolerance $+10\%,-5\%$			Tolerance $+14\%,-10\%$			
	5-6	7-8	9-10	11-12	13-14	15-16	
0.28	10	10	20	20	2.6	2.6	0.09

1.Insulation resistance : Across windings As well as between body & Windings : $\geq 1000M\Omega$ at 500VDC

2.Insulation strength :

Primary winding to body :500V,50Hz
 Primary to secondary winding :500V,50Hz
 Secondary winding & Body :500V,50Hz
 Across the Secondary windings :500V,50Hz

3.Rated capacity VA :6VA(Nom), 8.5VA(Max)

4.Primary winding voltage across 1&3 :38V(Min), 42V(Max)

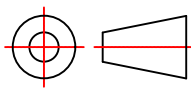

5.Main frequency Hz :380Hz (Min),1000Max

6.Temperature rise : $\leq 55^{\circ}C$

7.Part no :TPP.213.40.400

(Equivalent to Russian transformer TIII.213.40.400)

ROHS COMPLIANT

TITLE : Electrical Specification				PART DESC			
				Transformer			
				CUSTOMER PART NO		SVM PART CODE	
				-		98052	
	A		12-07-2023	REV	DATE	SHEET	
			Initial Release	A	12-07-2023	3 of 3	
CH LTR	ALT NO	SIGN	DATE	CHANGES			
							
ALL DIMENSIONS ARE IN mm.				GENERAL TOLERANCE ± 0.05 mm UNLESS OTHERWISE SPECIFIED			
				DRAWN	CHECKED	APPROVED	

This document is the private property of the company.It must not be reproduced ,disclosed to any third parties or used for manufacturing purposes without permission in writing from the company.

Deliveries to be only as per the approved sample. Any change in tool (making, replacement) and material only with prior approval.

ELECTRICAL SPECIFICATION

ENVIRONMENTAL TESTS :


The transformer will meet thermal & humidity requirements.

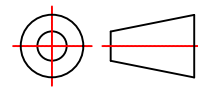
- | | |
|--|-----------------|
| 1.High operating temperature of medium | :85°±2°C |
| 2.Low operating temperature of medium | :-60°C |
| 3.Temperature variation of medium | :-60°C to +85°C |
| 4.High relative humidity at temperature of medium 25°C | :98+0/-5% |
-

This document is the private property of the company.It must not to be reproduced ,disclosed to any third parties or used for manufacturing purposes without permission in writing from the company.

Deliveries to be only as per the approved sample. Any change in tool (making, replacement) and material only with prior approval.

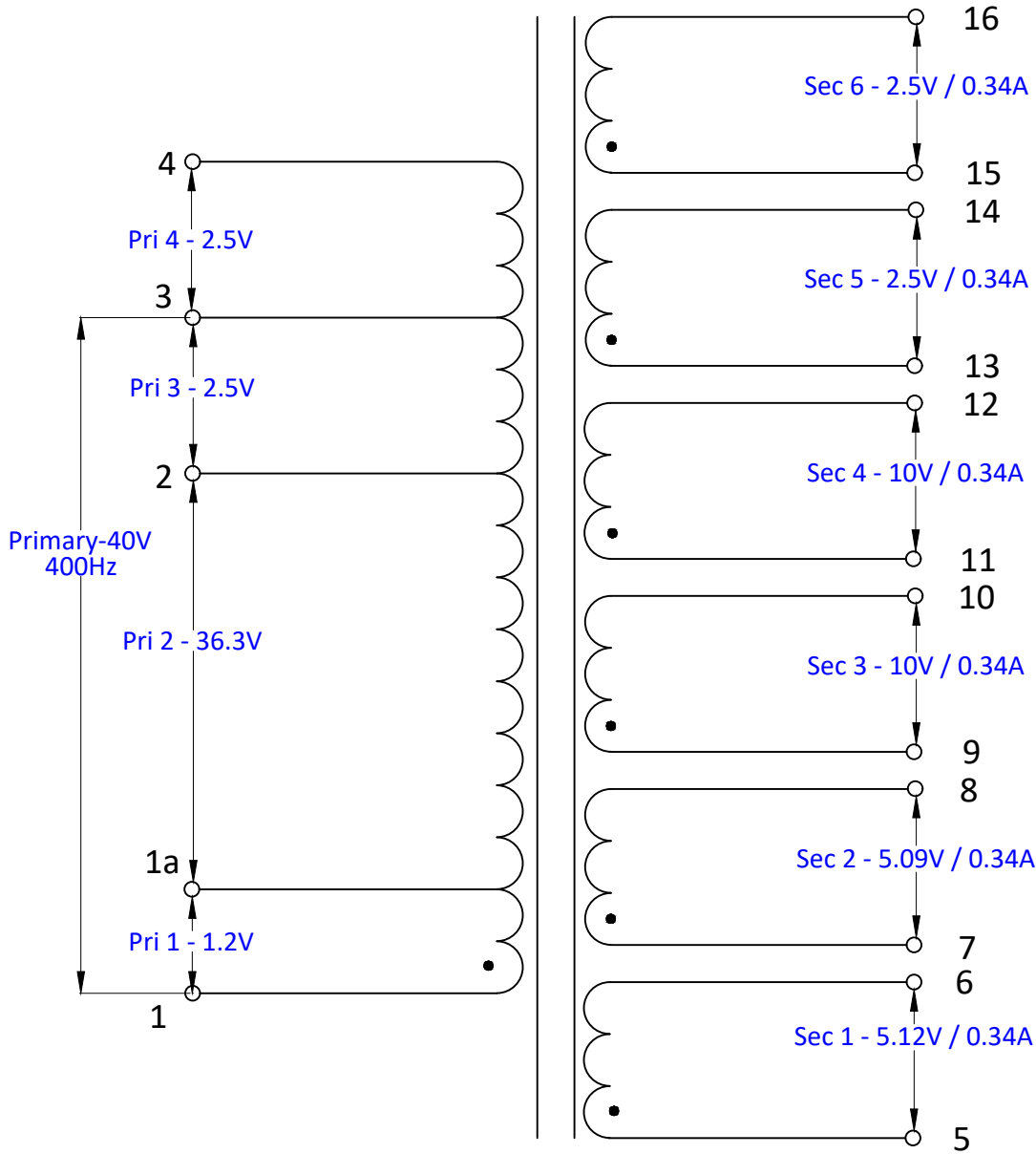
ROHS COMPLIANT

TITLE : Electrical Specification				PART DESC Transformer		
				CUSTOMER PART NO -	SVM PART CODE 98052	
				REV A	DATE 12-07-2023	SHEET 3 of 3
CH LTR	ALT NO	SIGN	DATE	CHANGES		
	A		12-07-2023	Initial Release		
ALL DIMENSIONS ARE IN mm.				GENERAL TOLERANCE ± 0.05 mm UNLESS OTHERWISE SPECIFIED		
				DRAWN		CHECKED
				APPROVED		APPROVED



SCALE : NTS
SIZE : A4

SCHEMATIC DIAGRAM



● Indicates the starting of Winding

ROHS COMPLIANT

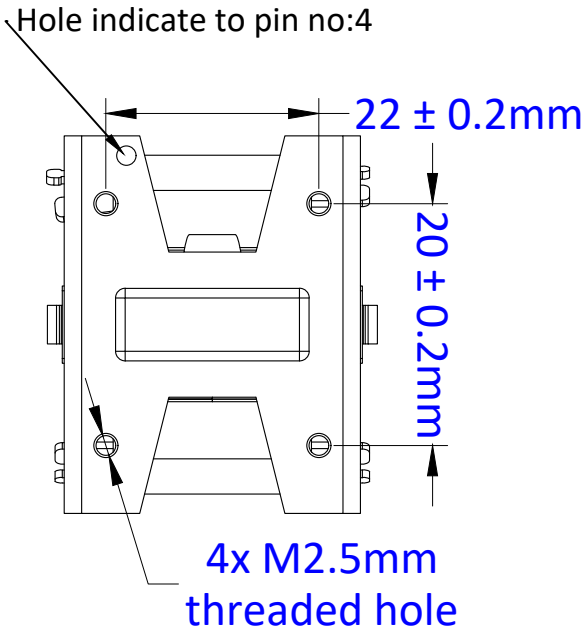
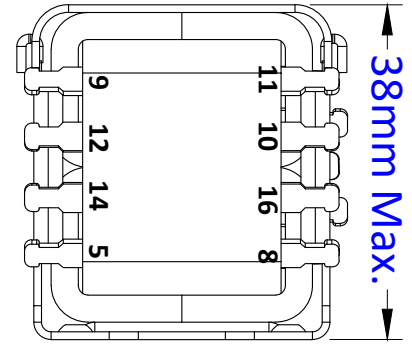
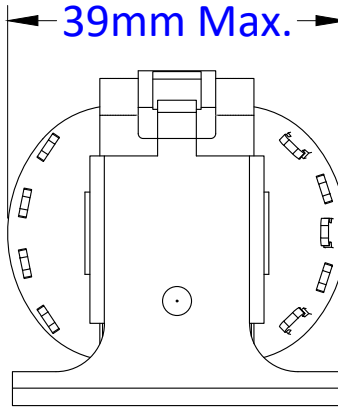
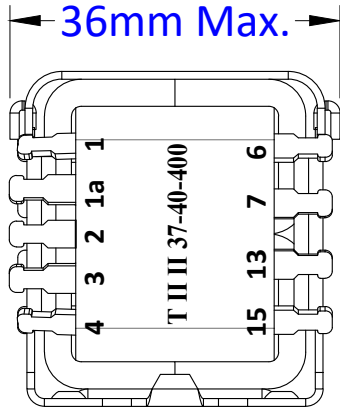
TITLE : Schematic Diagram					PART DESC			
					Transformer			
					CUSTOMER PART NO		SVM PART CODE	
							98055	
					REV	DATE	SHEET	
					A	12-07-2023	1 of 3	
CH LTR	ALT NO	SIGN	DATE	CHANGES				
				GENERAL TOLERANCE ± 0.05 mm UNLESS OTHERWISE SPECIFIED				
ALL DIMENSIONS ARE IN mm.						SCALE : NTS		
						SIZE : A4		
					DRAWN		CHECKED	APPROVED

This document is the private property of the company. It must not be reproduced, disclosed to any third parties or used for manufacturing purposes without permission in writing from the company.

Deliveries to be only as per the approved sample. Any change in tool (making, replacement) and material only with prior approval.

This document is the private property of the company. It must not be reproduced, disclosed to any third parties or used for manufacturing purposes without permission in writing from the company.

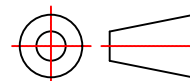
MECHANICAL DIMENSION



Deliveries to be only as per the approved sample. Any change in tool (making, replacement) and material only with prior approval.

ROHS COMPLIANT

TITLE : Mechanical Diagram				PART DESC		
				Transformer		
				CUSTOMER PART NO		SVM PART CODE
						98055
		REV	DATE		SHEET	
		A	12-07-2023		2 of 3	
CH LTR	ALT NO	SIGN	DATE	CHANGES		
				Initial Release		
ALL DIMENSIONS ARE IN mm.				GENERAL TOLERANCE $\pm 0.05\text{ mm}$ UNLESS OTHERWISE SPECIFIED		
				DRAWN		CHECKED
						APPROVED



SCALE : NTS
SIZE : A4

ELECTRICAL SPECIFICATION

1.Voltage given at the primary windings of the transformer

Mains rated voltage V. across terminals 1& 3	Voltage across			Tolerance %
	1-1a	2-3	3-4	
40V at 400Hz	1.2V	2.5V	2.5V	1% of mains Nominal voltage

2.Secondary winding voltage in open circuit condition

Open circuit current A (Max)	Secondary winding Voltage					
	Tolerance $\pm 3\%$				Tolerance $\pm 10\%$	
	5-6	7-8	9-10	11-12	13-14	15-16
0.27	5.8	5.8	11.5	11.5	2.85	2.85

3.Secondary voltage & current in rated load current

Primary current A (Max)	Secondary Voltage						Secondary Windings current A
	Tolerance $+10\%,-5\%$			Tolerance $+14\%,-10\%$			
	5-6	7-8	9-10	11-12	13-14	15-16	0.34
0.47	5.12	5.09	10	10	2.5	2.5	0.34

ROHS COMPLIANT

TITLE : Electrical Specification

PART DESC

Transformer

CUSTOMER PART NO

SVM PART CODE

98055

REV

DATE

SHEET

A

12-07-2023

3 of 3

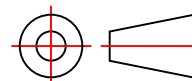
CH LTR

ALT NO

SIGN

DATE

CHANGES



SCALE : NTS

SIZE : A4

ALL DIMENSIONS ARE IN mm.

GENERAL TOLERANCE ± 0.05 mm
UNLESS OTHERWISE SPECIFIED

DRAWN

CHECKED

APPROVED

svm
CHENNAI

This document is the private property of the company.It must not to be reproduced ,disclosed to any third parties or used for manufacturing purposes without permission in writing from the company.

Deliveries to be only as per the approved sample. Any change in tool (making, replacement) and material only with prior approval.

ELECTRICAL SPECIFICATION


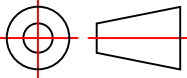
1. Insulation resistance : Across windings As well as between body & Windings : $\geq 1000M\Omega$ at 500VDC
2. Insulation strength :
 - Primary winding to body : 500V,50Hz
 - Primary to secondary winding : 500V,50Hz
 - Secondary winding & Body : 500V,50Hz
 - Across the Secondary windings : 500V,50Hz
3. Rated capacity VA : 12VA(Nom), 15VA(Max)
4. Primary winding voltage across 1&3 : 38V(Min), 42V(Max)
5. Main frequency Hz : 380Hz (Min), 1000Max
6. Temperature rise : $\leq 55^{\circ}C$
7. Part no : TPP 37-40-400
(Equivalent to Russian transformer TIII 37-40-400)

ENVIRONMENTAL TESTS :

The transformer will meet thermal & humidity requirements.

1. High operating temperature of medium : $85^{\circ} \pm 2^{\circ}C$
2. Low operating temperature of medium : $-60^{\circ}C$
3. Temperature variation of medium : $-60^{\circ}C$ to $+85^{\circ}C$
4. High relative humidity at temperature of medium $25^{\circ}C$: $98+0/-5\%$

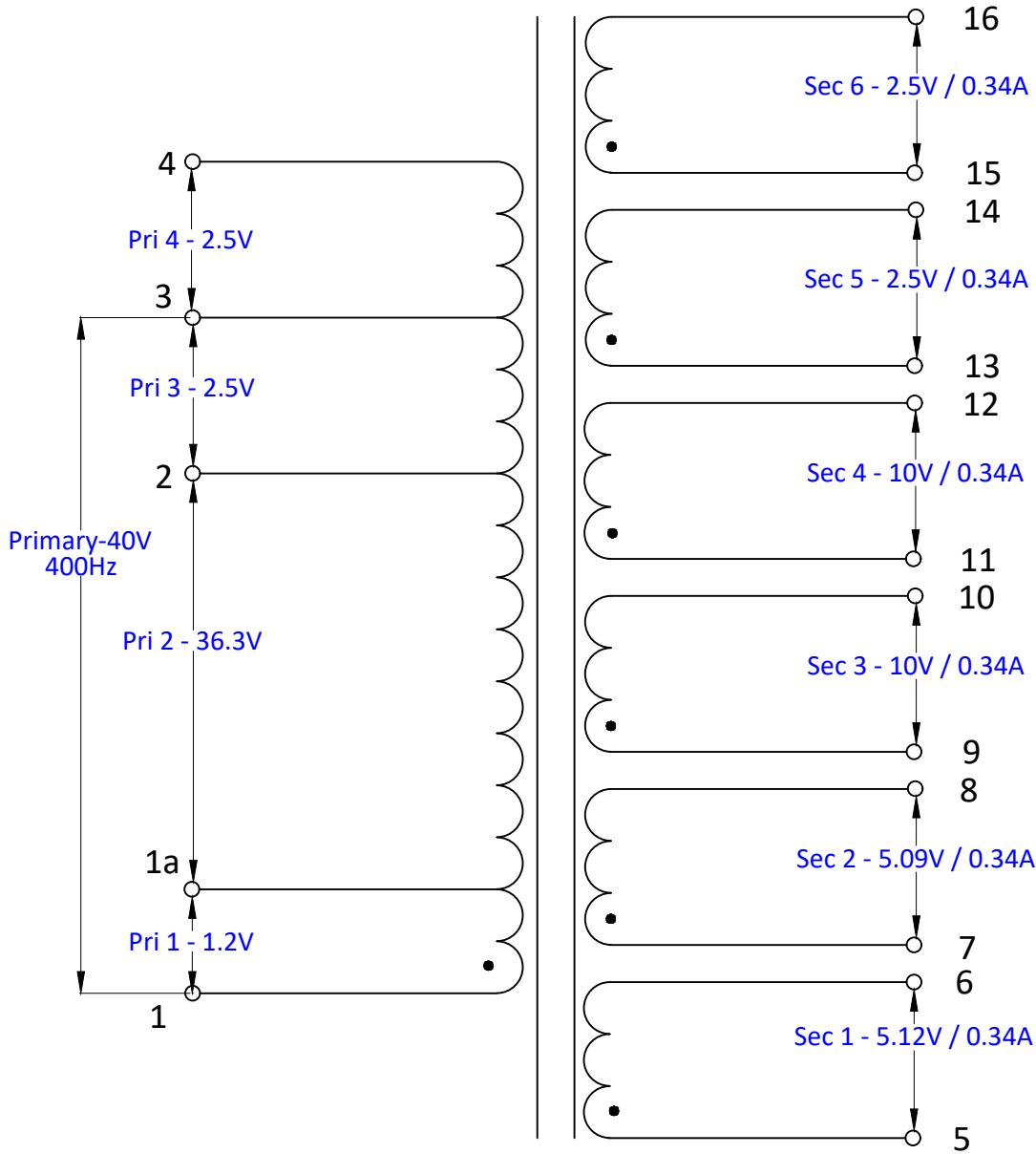
ROHS COMPLIANT

TITLE : Electrical Specification				PART DESC		
				Transformer		
				CUSTOMER PART NO		SVM PART CODE
						98055
				REV	DATE	SHEET
				A	12-07-2023	3 of 3
CH LTR	ALT NO	SIGN	DATE	CHANGES		
	A		12-07-2023	Initial Release		
ALL DIMENSIONS ARE IN mm.			GENERAL TOLERANCE ± 0.05 mm UNLESS OTHERWISE SPECIFIED			
						SCALE : NTS
						SIZE : A4
				DRAWN		CHECKED
						APPROVED

This document is the private property of the company. It must not be reproduced, disclosed to any third parties or used for manufacturing purposes without permission in writing from the company.

Deliveries to be only as per the approved sample. Any change in tool (making, replacement) and material only with prior approval.

SCHEMATIC DIAGRAM



● Indicates the starting of Winding

ROHS COMPLIANT

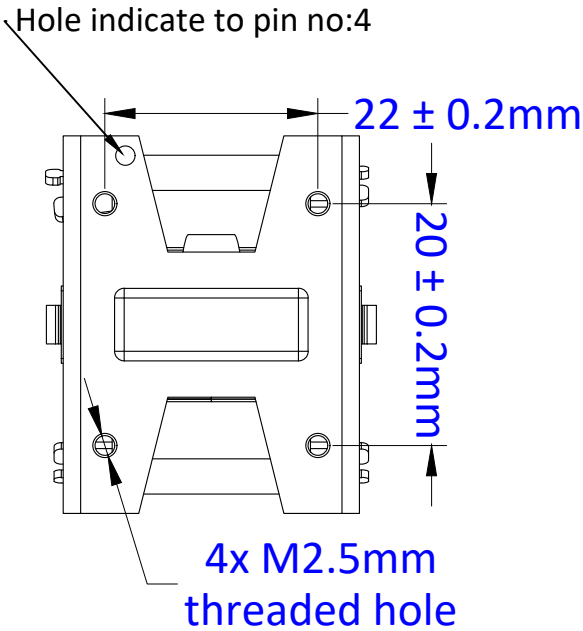
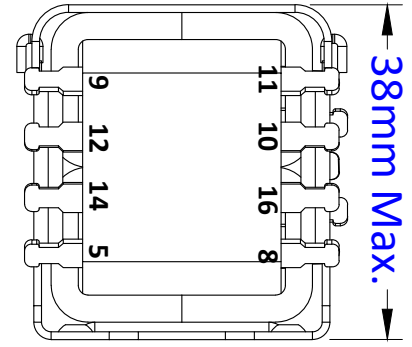
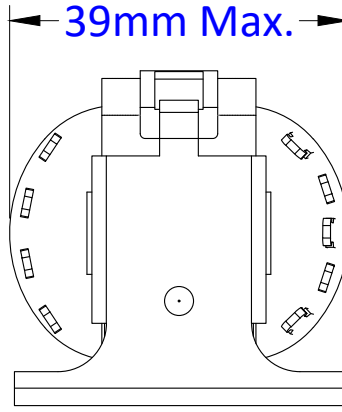
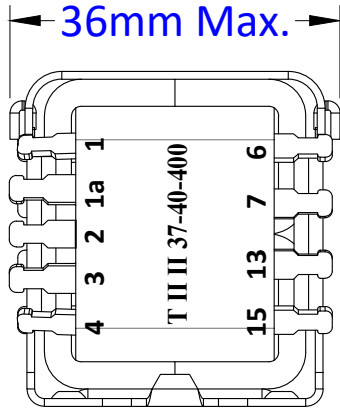
TITLE : Schematic Diagram					PART DESC			
					Transformer			
					CUSTOMER PART NO		SVM PART CODE	
							98055	
					REV	DATE	SHEET	
					A	12-07-2023	1 of 3	
CH LTR	ALT NO	SIGN	DATE	CHANGES				
				GENERAL TOLERANCE ± 0.05 mm UNLESS OTHERWISE SPECIFIED				
ALL DIMENSIONS ARE IN mm.						SCALE : NTS		
						SIZE : A4		
					DRAWN		CHECKED	APPROVED

This document is the private property of the company. It must not be reproduced, disclosed to any third parties or used for manufacturing purposes without permission in writing from the company.

Deliveries to be only as per the approved sample. Any change in tool (making, replacement) and material only with prior approval.

This document is the private property of the company. It must not be reproduced, disclosed to any third parties or used for manufacturing purposes without permission in writing from the company.

MECHANICAL DIMENSION



ROHS COMPLIANT

TITLE : Mechanical Diagram				PART DESC		
				Transformer		
				CUSTOMER PART NO		SVM PART CODE
						98055
		REV	DATE	SHEET		
A		12-07-2023	Initial Release	A		2 of 3
CH LTR	ALT NO	SIGN	DATE	CHANGES		
ALL DIMENSIONS ARE IN mm.				GENERAL TOLERANCE ± 0.05 mm UNLESS OTHERWISE SPECIFIED		
				DRAWN		CHECKED
						APPROVED

Deliveries to be only as per the approved sample. Any change in tool (making, replacement) and material only with prior approval.

ELECTRICAL SPECIFICATION

1.Voltage given at the primary windings of the transformer

Mains rated voltage V. across terminals 1& 3	Voltage across			Tolerance %
	1-1a	2-3	3-4	
40V at 400Hz	1.2V	2.5V	2.5V	1% of mains Nominal voltage

2.Secondary winding voltage in open circuit condition

Open circuit current A (Max)	Secondary winding Voltage					
	Tolerance $\pm 3\%$				Tolerance $\pm 10\%$	
	5-6	7-8	9-10	11-12	13-14	15-16
0.27	5.8	5.8	11.5	11.5	2.85	2.85

3.Secondary voltage & current in rated load current

Primary current A (Max)	Secondary Voltage						Secondary Windings current A
	Tolerance $+10\%,-5\%$			Tolerance $+14\%,-10\%$			
	5-6	7-8	9-10	11-12	13-14	15-16	0.34
0.47	5.12	5.09	10	10	2.5	2.5	0.34

ROHS COMPLIANT

TITLE : Electrical Specification

PART DESC

Transformer

CUSTOMER PART NO

SVM PART CODE

98055

REV

DATE

SHEET

A

12-07-2023

3 of 3

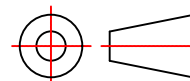
CH LTR

ALT NO

SIGN

DATE

CHANGES



SCALE : NTS

SIZE : A4

ALL DIMENSIONS ARE IN mm.

GENERAL TOLERANCE ± 0.05 mm
UNLESS OTHERWISE SPECIFIED

DRAWN

CHECKED

APPROVED

svm
CHENNAI

This document is the private property of the company.It must not to be reproduced ,disclosed to any third parties or used for manufacturing purposes without permission in writing from the company.

Deliveries to be only as per the approved sample. Any change in tool (making, replacement) and material only with prior approval.

ELECTRICAL SPECIFICATION

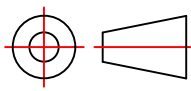

1. Insulation resistance : Across windings As well as between body & Windings : $\geq 1000M\Omega$ at 500VDC
2. Insulation strength :
 - Primary winding to body : 500V,50Hz
 - Primary to secondary winding : 500V,50Hz
 - Secondary winding & Body : 500V,50Hz
 - Across the Secondary windings : 500V,50Hz
3. Rated capacity VA : 12VA(Nom), 15VA(Max)
4. Primary winding voltage across 1&3 : 38V(Min), 42V(Max)
5. Main frequency Hz : 380Hz (Min), 1000Max
6. Temperature rise : $\leq 55^{\circ}C$
7. Part no : TPP 37-40-400
(Equivalent to Russian transformer TIII 37-40-400)

ENVIRONMENTAL TESTS :

The transformer will meet thermal & humidity requirements.

1. High operating temperature of medium : $85^{\circ}\pm 2^{\circ}C$
2. Low operating temperature of medium : $-60^{\circ}C$
3. Temperature variation of medium : $-60^{\circ}C$ to $+85^{\circ}C$
4. High relative humidity at temperature of medium $25^{\circ}C$: $98+0/-5\%$

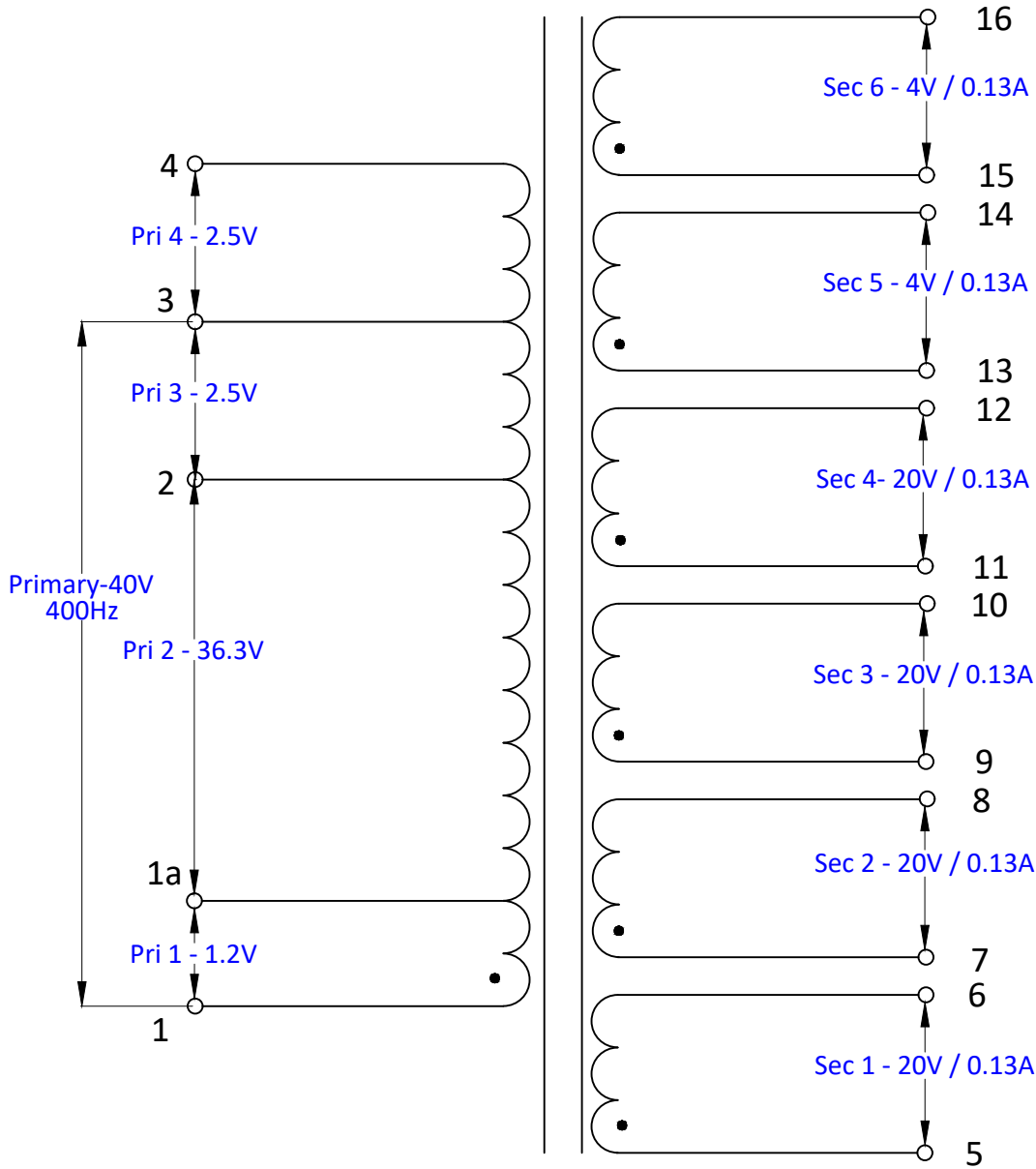
ROHS COMPLIANT

TITLE : Electrical Specification				PART DESC			
				Transformer			
				CUSTOMER PART NO		SVM PART CODE	
						98055	
				REV	DATE	SHEET	
				A	12-07-2023	3 of 3	
CH LTR	ALT NO	SIGN	DATE	CHANGES			
			12-07-2023	Initial Release			
ALL DIMENSIONS ARE IN mm.			GENERAL TOLERANCE ± 0.05 mm UNLESS OTHERWISE SPECIFIED				
							SCALE : NTS
						SIZE : A4	
				DRAWN		CHECKED	APPROVED

This document is the private property of the company. It must not be reproduced, disclosed to any third parties or used for manufacturing purposes without permission in writing from the company.

Deliveries to be only as per the approved sample. Any change in tool (making, replacement) and material only with prior approval.

SCHEMATIC DIAGRAM



● Indicates the starting of Winding

ROHS COMPLIANT

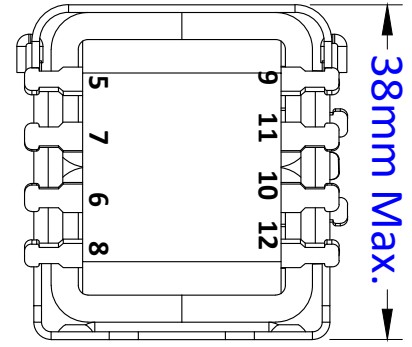
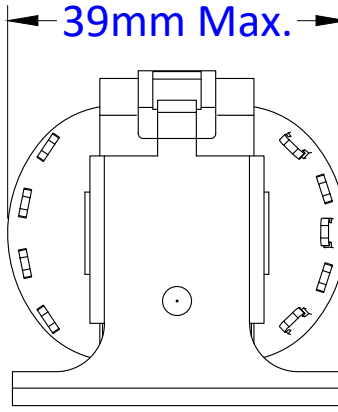
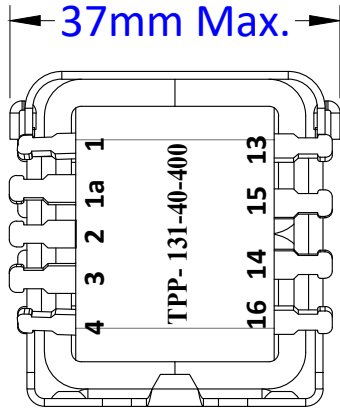
TITLE : Schematic Diagram					PART DESC			
					Transformer			
					CUSTOMER PART NO		SVM PART CODE	
							98057	
					REV	DATE	SHEET	
					A	12-07-2023	1 of 3	
CH LTR	ALT NO	SIGN	DATE	CHANGES				
				GENERAL TOLERANCE ± 0.05 mm UNLESS OTHERWISE SPECIFIED				
ALL DIMENSIONS ARE IN mm.						SCALE : NTS		
						SIZE : A4		
					DRAWN		CHECKED	APPROVED

This document is the private property of the company. It must not be reproduced, disclosed to any third parties or used for manufacturing purposes without permission in writing from the company.

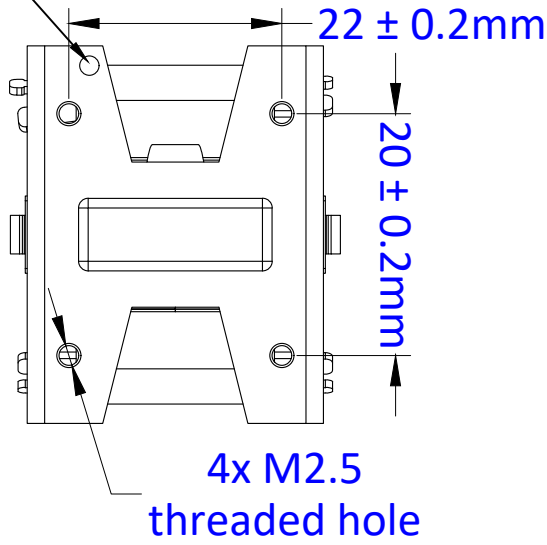
Deliveries to be only as per the approved sample. Any change in tool (making, replacement) and material only with prior approval.

This document is the private property of the company. It must not be reproduced, disclosed to any third parties or used for manufacturing purposes without permission in writing from the company.

MECHANICAL DIMENSION



Hole indicate to pin no:4



ROHS COMPLIANT

TITLE : Mechanical Diagram

PART DESC

Transformer

CUSTOMER PART NO

SVM PART CODE

98057

REV

DATE

SHEET

A

12-07-2023

2 of 3

Initial Release

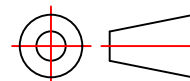
CH LTR

ALT NO

SIGN

DATE

CHANGES



SCALE : NTS

ALL DIMENSIONS ARE IN mm.

GENERAL TOLERANCE ± 0.05 mm
UNLESS OTHERWISE SPECIFIED

SIZE : A4

svm
CHENNAI

DRAWN

CHECKED

APPROVED

Deliveries to be only as per the approved sample. Any change in tool (making, replacement) and material only with prior approval.

ELECTRICAL SPECIFICATION

1.Voltage given at the primary windings of the transformer

Mains rated voltage V Across terminals 1& 3	Voltage across			Tolerance %
	1-1a	2-3	3-4	
40V at 400Hz	1.2V	2.5V	2.5V	1% of mains Nominal voltage

2.Secondary winding voltage in open circuit condition

Open circuit current A (Max)	Secondary winding Voltage					
	Tolerance $\pm 3\%$				Tolerance $\pm 10\%$	
	5-6	7-8	9-10	11-12	13-14	15-16
0.27	22.5	22.6	22.6	22.8	4.56	4.56

3.Secondary voltage & current in rated load current

Primary current A (Max)	Secondary Voltage						Secondary windings current A
	Tolerance $+10\%, -5\%$				Tolerance $+14\%, -10\%$		
	5-6	7-8	9-10	11-12	13-14	15-16	
0.47	20	20	20	20	4	4	0.13

ROHS COMPLIANT

TITLE : Electrical Specification

PART DESC

Transformer

CUSTOMER PART NO

SVM PART CODE

98057

REV

DATE

SHEET

A

12-07-2023

3 of 3

Initial Release

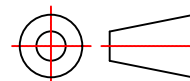
CH LTR

ALT NO

SIGN

DATE

CHANGES



SCALE : NTS

ALL DIMENSIONS ARE IN mm.

GENERAL TOLERANCE ± 0.05 mm
UNLESS OTHERWISE SPECIFIED

SIZE : A4

svm
CHENNAI

DRAWN

CHECKED

APPROVED

This document is the private property of the company. It must not be reproduced, disclosed to any third parties or used for manufacturing purposes without permission in writing from the company.

Deliveries to be only as per the approved sample. Any change in tool (making, replacement) and material only with prior approval.

ELECTRICAL SPECIFICATION

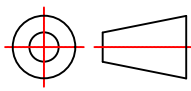

1. Insulation resistance : Across windings As well as between body & Windings : $\geq 1000M\Omega$ at 500VDC
2. Insulation strength :
 - Primary winding to body : 500V, 50Hz
 - Primary to secondary winding : 500V, 50Hz
 - Secondary winding & Body : 500V, 50Hz
 - Across the Secondary windings : 500V, 50Hz
3. Rated capacity VA : 12VA(Nom), 15VA(Max)
4. Primary winding voltage across 1&3 : 38V(Min), 42V(Max)
5. Main frequency Hz : 380Hz (Min), 1000Max
6. Temperature rise : $\leq 55^{\circ}C$
7. Part no : TPP131-40-400
(Equivalent to Russian transformer TИИИ131-40-400)

ENVIRONMENTAL TESTS :

The transformer will meet thermal & humidity requirements.

1. High operating temperature of medium : $85^{\circ} \pm 2^{\circ}C$
2. Low operating temperature of medium : $-60^{\circ}C$
3. Temperature variation of medium : $-60^{\circ}C$ to $+85^{\circ}C$
4. High relative humidity at temperature of medium $25^{\circ}C$: $98+0/-5\%$

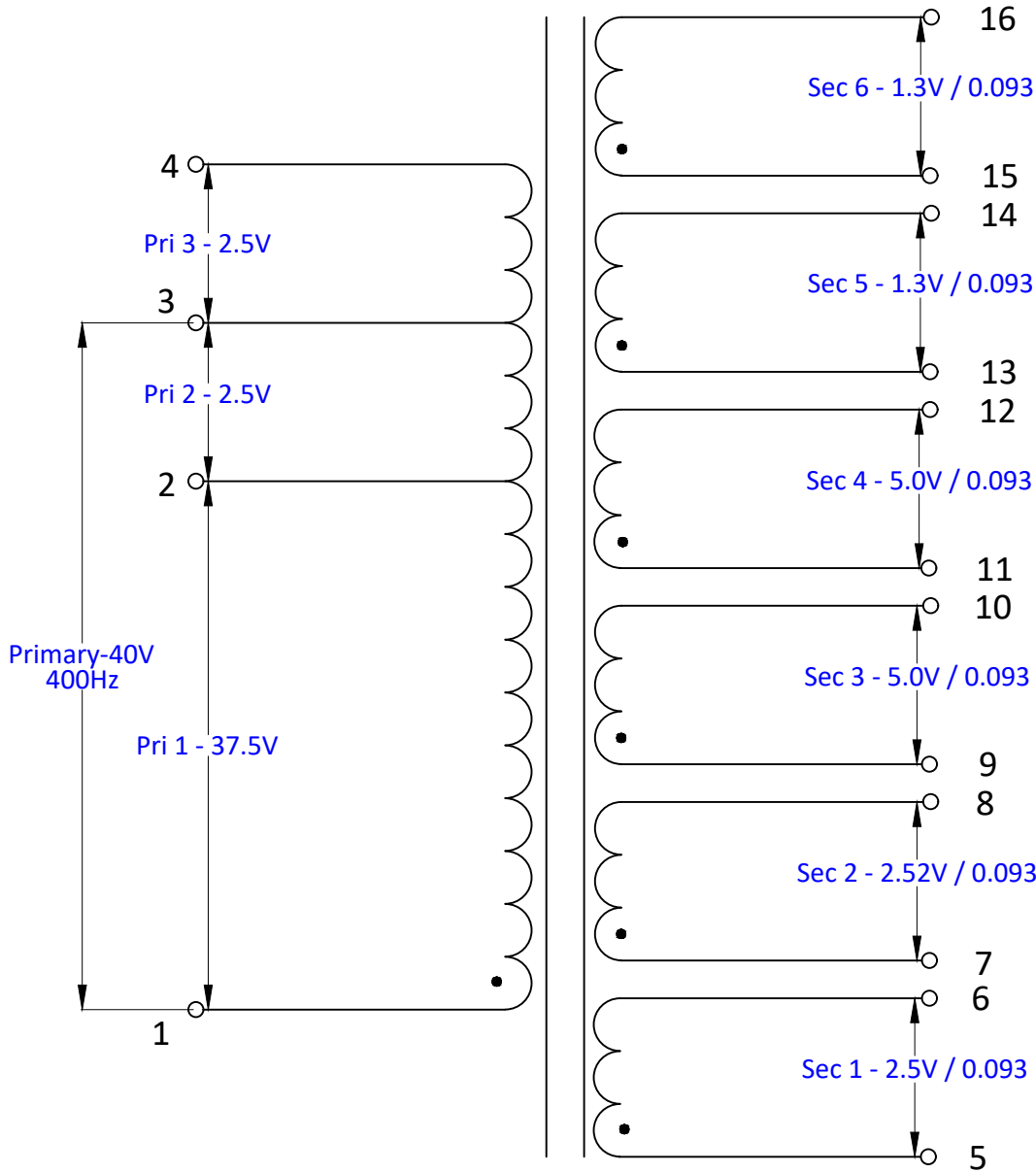
ROHS COMPLIANT

TITLE : Electrical Specification				PART DESC		
				Transformer		
				CUSTOMER PART NO		SVM PART CODE
						98057
				REV	DATE	SHEET
				A	12-07-2023	3 of 3
CH LTR	ALT NO	SIGN	DATE	CHANGES		
			12-07-2023	Initial Release		
ALL DIMENSIONS ARE IN mm.			GENERAL TOLERANCE ± 0.05 mm UNLESS OTHERWISE SPECIFIED			
						SIZE : A4
				DRAWN		CHECKED
						APPROVED

This document is the private property of the company. It must not be reproduced, disclosed to any third parties or used for manufacturing purposes without permission in writing from the company.

Deliveries to be only as per the approved sample. Any change in tool (making, replacement) and material only with prior approval.

SCHEMATIC DIAGRAM



● Indicates the starting of Winding

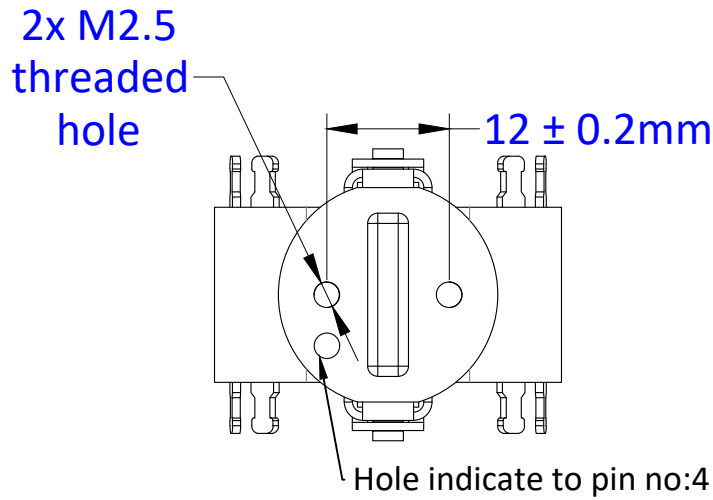
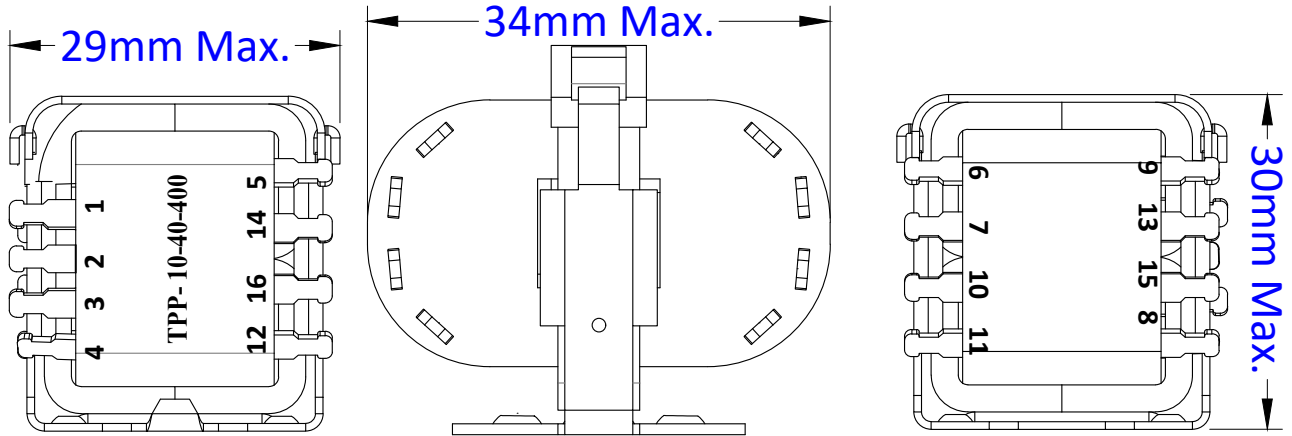
ROHS COMPLIANT

TITLE : Schematic Diagram				PART DESC		
				Transformer		
				CUSTOMER PART NO		SVM PART CODE
						98058
				REV	DATE	SHEET
				A	12-07-2023	1 of 3
CH LTR	ALT NO	SIGN	DATE	CHANGES		
	A		12-07-2023	Initial Release		
ALL DIMENSIONS ARE IN mm.			GENERAL TOLERANCE ± 0.05 mm UNLESS OTHERWISE SPECIFIED			
						SCALE : NTS
						SIZE : A4
				DRAWN	CHECKED	APPROVED


This document is the private property of the company. It must not be reproduced, disclosed to any third parties or used for manufacturing purposes without permission in writing from the company.

Deliveries to be only as per the approved sample. Any change in tool (making, replacement) and material only with prior approval.

MECHANICAL DIMENSION



ROHS COMPLIANT

TITLE : Mechanical Diagram				PART DESC			
				Transformer			
				CUSTOMER PART NO		SVM PART CODE	
						98058	
		REV	DATE	SHEET			
A		12-07-2023	Initial Release		2 of 3		
CH LTR	ALT NO	SIGN	DATE	CHANGES			
ALL DIMENSIONS ARE IN mm.				GENERAL TOLERANCE ± 0.05 mm UNLESS OTHERWISE SPECIFIED			
				DRAWN		CHECKED	APPROVED

This document is the private property of the company. It must not be reproduced, disclosed to any third parties or used for manufacturing purposes without permission in writing from the company.

Deliveries to be only as per the approved sample. Any change in tool (making, replacement) and material only with prior approval.

ELECTRICAL SPECIFICATION

1.Voltage given at the primary windings of the transformer

Mains rated voltage V. across terminals 1& 3	Voltage across		Tolerance %
	2-3	3-4	
40V at 400Hz	2.5V	2.5V	1% of mains Nominal voltage

2.Secondary winding voltage in open circuit condition

Open circuit current A (Max)	Secondary winding Voltage					
	Tolerance $\pm 3\%$				Tolerance $\pm 10\%$	
	5-6	7-8	9-10	11-12	13-14	15-16
0.10	2.93	2.96	5.93	5.97	1.52	1.52

3.Secondary voltage & current in rated load current

Primary current A (Max)	Secondary Voltage						Secondary windings Current A
	Tolerance $+10\%,-5\%$				Tolerance $+14\%,-10\%$		
	5-6	7-8	9-10	11-12	13-14	15-16	
0.12	2.5	2.52	5.0	5.0	1.3	1.3	0.093

ROHS COMPLIANT

TITLE : Electrical Specification

PART DESC

Transformer

CUSTOMER PART NO

SVM PART CODE

98058

REV

DATE

SHEET

A

12-07-2023

3 of 3

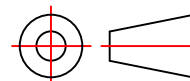
CH LTR

ALT NO

SIGN

DATE

CHANGES



SCALE : NTS

SIZE : A4

ALL DIMENSIONS ARE IN mm.

GENERAL TOLERANCE ± 0.05 mm
UNLESS OTHERWISE SPECIFIED

DRAWN

CHECKED

APPROVED

svm
CHENNAI

This document is the private property of the company. It must not be reproduced, disclosed to any third parties or used for manufacturing purposes without permission in writing from the company.

Deliveries to be only as per the approved sample. Any change in tool (making, replacement) and material only with prior approval.

This document is the private property of the company. It must not be reproduced, disclosed to any third parties or used for manufacturing purposes without permission in writing from the company.


- 1. Insulation resistance : Across windings As well as between body & Windings : $\geq 1000M\Omega$ at 500VDC
- 2. Insulation strength :
 - Primary winding to body : 500V, 50Hz
 - Primary to secondary winding : 500V, 50Hz
 - Secondary winding & Body : 500V, 50Hz
 - Across the Secondary windings : 500V, 50Hz
- 3. Rated capacity VA : 1.65VA(Nom), 3.5VA(Max)
- 4. Primary winding voltage across 1&3 : 38V(Min), 42V(Max)
- 5. Main frequency Hz : 380Hz (Min), 1000Max
- 6. Temperature rise : $\leq 55^{\circ}C$
- 7. Part no : TPP 10-40-400
(Equivalent to Russian transformer TIII 10-40-400)

ENVIRONMENTAL TESTS :

The transformer will meet thermal & humidity requirements.

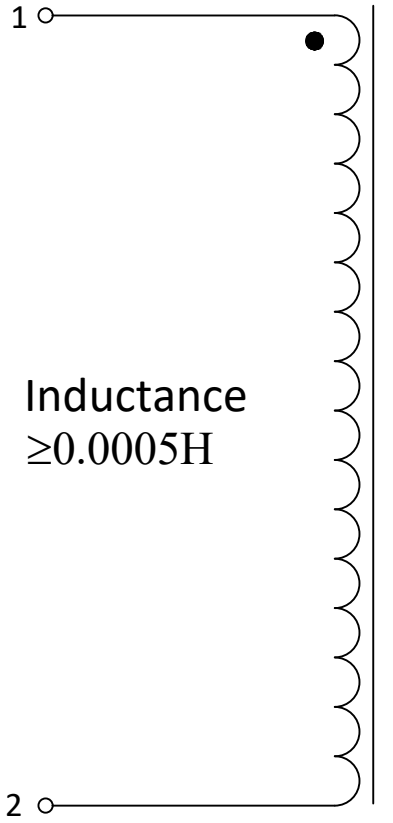
- 1. High operating temperature of medium : $85^{\circ} \pm 2^{\circ}C$
- 2. Low operating temperature of medium : $-60^{\circ}C$
- 3. Temperature variation of medium : $-60^{\circ}C$ to $+85^{\circ}C$
- 4. High relative humidity at temperature of medium $25^{\circ}C$: $98+0/-5\%$

ROHS COMPLIANT

TITLE : Electrical Specification				PART DESC		
				Transformer		
				CUSTOMER PART NO		SVM PART CODE
						98058
				REV	DATE	SHEET
				A	12-07-2023	3 of 3
CH LTR	ALT NO	SIGN	DATE	CHANGES		
				Initial Release		
ALL DIMENSIONS ARE IN mm.				GENERAL TOLERANCE ± 0.05 mm UNLESS OTHERWISE SPECIFIED		
				DRAWN		CHECKED
						APPROVED


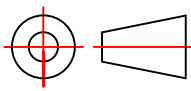
Deliveries to be only as per the approved sample. Any change in tool (making, replacement) and material only with prior approval.

SCHEMATIC DIAGRAM



● Indicates the starting of Winding

ROHS COMPLIANT

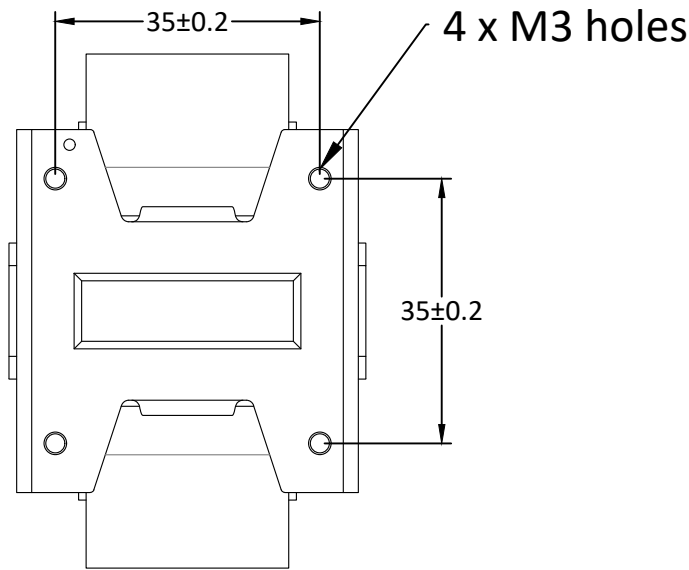
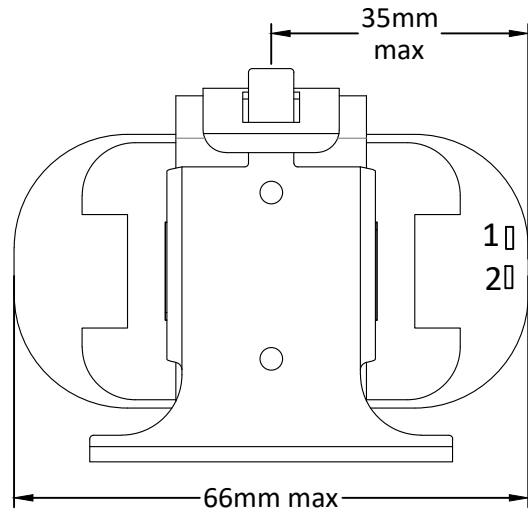
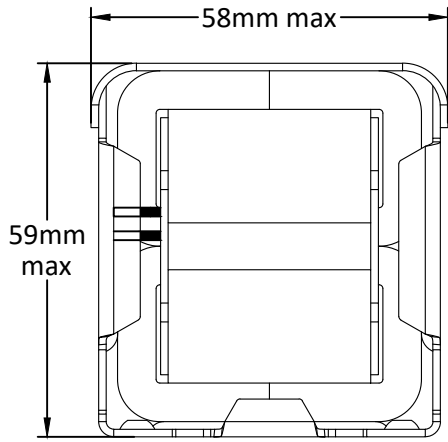
TITLE : Schematic Diagram				PART DESC		
				Power inductor		
				CUSTOMER PART NO	SVM PART CODE	
				-	98056	
				REV	DATE	SHEET
	A		12-07-2023	A	12-07-2023	1 of 3
CH LTR	ALT NO	SIGN	DATE	CHANGES		
				Initial Release		
ALL DIMENSIONS ARE IN mm.			GENERAL TOLERANCE ± 0.05 mm UNLESS OTHERWISE SPECIFIED			
						SCALE : NTS
				DRAWN		SIZE : A4
				CHECKED	APPROVED	

This document is the private property of the company. It must not be reproduced, disclosed to any third parties or used for manufacturing purposes without permission in writing from the company.

Deliveries to be only as per the approved sample. Any change in tool (making, replacement) and material only with prior approval.

This document is the private property of the company. It must not be reproduced, disclosed to any third parties or used for manufacturing purposes without permission in writing from the company.

MECHANICAL DIMENSION



ROHS COMPLIANT

TITLE : Mechanical Diagram				PART DESC Power inductor		
				CUSTOMER PART NO -		SVM PART CODE 98056
		REV A		DATE 12-07-2023		SHEET 2 of 3
CH LTR		ALT NO	SIGN	DATE	CHANGES	
		A		12-07-2023	Initial Release	
ALL DIMENSIONS ARE IN mm.				GENERAL TOLERANCE ± 0.05 mm UNLESS OTHERWISE SPECIFIED		
						SCALE : NTS
				DRAWN		CHECKED
				APPROVED		

Deliveries to be only as per the approved sample. Any change in tool (making, replacement) and material only with prior approval.

ELECTRICAL SPECIFICATION


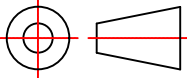
1. Inductance value	: $\geq 0.0005H$
2. Rated current	: 16.5ADC
3. Limiting value of AC voltage	: 0.25VAC, 400Hz
4. Limiting value of frequency	: 1000Hz
5. D.C resistance at 20°C	: $0.017\Omega \pm 20\%$
6. Weight	: 550gram
7. Dielectric strength between winding & body	: 2000V, 50Hz
8. Insulation resistance between body & winding	: $\geq 1000M\Omega$ at 500VDC
9. Temperature rise	: $\leq 55^\circ C$
10. Part no	: L56.0.0005.16.5 (Equivalent to Russian inductor JI56.0.0005.16.5)

ENVIRONMENTAL TESTS :

The inductor will meet thermal & humidity requirements.

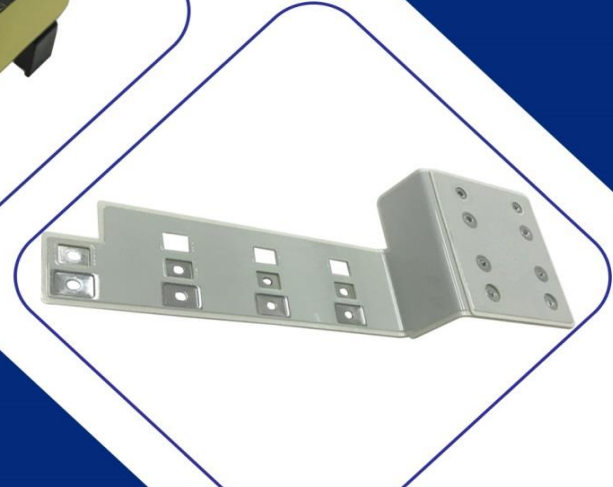
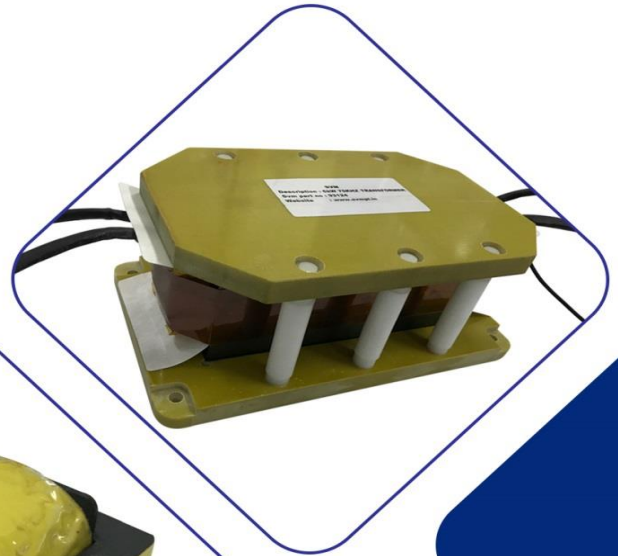
1. High operating temperature of medium	: $85^\circ \pm 2^\circ C$
2. Low operating temperature of medium	: $-60^\circ C$
3. Temperature variation of medium	: $-60^\circ C$ to $+85^\circ C$
4. High relative humidity at temperature of medium 25°C	: 98+0/-5%

ROHS COMPLIANT

TITLE : Electrical Specification				PART DESC		
				Power inductor		
				CUSTOMER PART NO		SVM PART CODE
						98056
				REV	DATE	SHEET
				A	12-07-2023	3 of 3
CH LTR	ALT NO	SIGN	DATE	CHANGES		
	A		12-07-2023	Initial Release		
ALL DIMENSIONS ARE IN mm.				GENERAL TOLERANCE ± 0.05 mm UNLESS OTHERWISE SPECIFIED		
						SCALE : NTS
						SIZE : A4
				DRAWN	CHECKED	APPROVED
				-	-	-

This document is the private property of the company. It must not be reproduced, disclosed to any third parties or used for manufacturing purposes without permission in writing from the company.

Deliveries to be only as per the approved sample. Any change in tool (making, replacement) and material only with prior approval.



Smart Solutions For Your Critical Magnetics

About SVM:

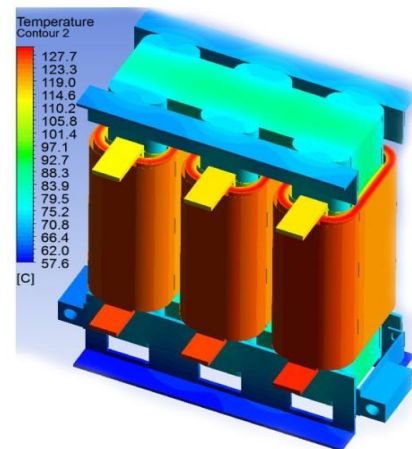
- ✧ Established in 1989, 30 years old company experienced in Design, Develop and Manufacture of Coils and Transformers for both High Frequency and Low frequency applications.
- ✧ SVM has the state of art manufacturing facilities to meet varied customer needs supported by well experienced Design and Manufacturing teams with strong vertical integration.
- ✧ Largest manufacturer of coils and transformers in India from low, mid to high volume. Capacity in excess of 10 Million numbers per Month.
- ✧ Product Application support, Rapid product development and sample delivery.
- ✧ Serving its customers across various fields from Power, Lighting, Medical electronics, Electric Vehicle, Automobile, Communications and other Electronic applications.

Design Solution:

- ✧ The Team at SVM can Engineer your ideas and convert them into End Use Components
- ✧ Design and Manufacture a wide range of Custom Magnetics for Various Application to meet Lower Leakage Inductance, Low Capacitance & High dielectric with stand voltage.
- ✧ Expertise in MATLAB, FEMM Modelling and Thermal Simulation of Magnetic components
- ✧ Vast Knowledge Base - Engineers with 20 Years of average Experience handled more than 300 critical Projects

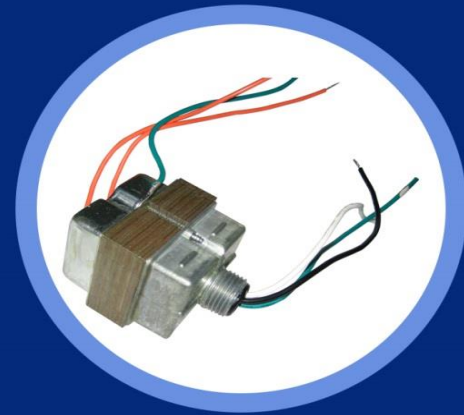
Product Line of Magnetic components includes:

- ✧ High Frequency Transformers (High Voltage and Low Voltage)
- ✧ Planar Magnetics
- ✧ Inductors (High frequency High Current, Air core Inductor)
- ✧ Reactors and Water Cooled Inductor,
- ✧ Chokes (EMI/EMC Chokes, CMC, DMC),
- ✧ SMPS Transformers,
- ✧ Linear Power Transformer,
- ✧ Current Transformers (Conventional and Hall Effect Current Transformers),
- ✧ Bus bars (Laminated, Powder Coated and Molded Bus bars)



Vertically Integrated Facility:

- ✧ Design of Bobbins, injection molds, manufacture of Bobbins in Thermoset (Phenolic) and Thermo Plastic materials from conventional to high performance grades.
- ✧ In house Litz Wire Manufacturing Facility - both Round Litz and Rectangular Type 8 litz for captive consumption
- ✧ In house tool room for Precision machining of plastics and metals for rigid mounting.
- ✧ In house Lamination Stamping and Sheet metal fabrication to meet custom design of magnetics
- ✧ Design and manufacture of packaging materials to meet customer specific packaging requirements to suit transport through road or air or ocean



Manufacturing Facility:

- ★ Multi spindle CNC Winding Machines
- ★ Automatic Test equipment's (ATE)
- ★ Copper Foil Winding Machines
- ★ Vacuum Impregnation plant
- ★ Automatic Pressure Gelation Machine (Resin casting)

Test Facility:

- ★ Partial Discharge Test up to 100kV AC
- ★ Load Test up to 50kVA (50HZ operating frequency)
- ★ Dielectric Strength Test both AC and DC
- ★ Precision LCR Magnetic Analyzer for measuring Inductance, Impedance, Capacitance, and AC Resistance
- ★ DC Bias Test up for Inductors
- ★ Temperature Data Logger

Quality:

- ★ SVM is an ISO 9001:2015, ISO 14001:2015 Certified Organization
- ★ SVM Pvt Ltd is committed to provide its Customers Right Quality Products, On-time delivery and ever improving levels of Satisfaction through "Continual improvement"

UL File No: E251904

- ★ Class 130 (B) coil and transformer insulation systems designated CIS.04, SIS-130
- ★ Class 155 (F) electrical insulation systems designated SIS-155- 1

Safety and Regulatory Standards

- ★ IEC 60601-1, UL 60601, ES 60601-1:2005
- ★ IEC 61558-2- 13, IEC 61558-2- 4
- ★ UL 5085-1, UL5085-2

Reliability Standards

- ★ IEC62211 Level B (Vibration test, Drop test, Humidity test, Solder-ability test, Temperature cycle test, Continuous Vibration test)
- ★ Meets ROHS, REACH, Packaging Regulations, 3TG-Conflict Minerals Compliance Requirements
- ★ SVM is the registered member in BOMcheck for Regulatory Compliance Declarations



Address:



Survey No.9/1, Thiruvalluvar Salai,
Kannivakkam Village,
Guduvanchery - 603 202.
Kancheepuram District,
Chennai, Tamilnadu,
India.



+91 44 27438531 | +91 44 27438532



info@svmpl.in, marketing@svmpl.in



www.svmpl.in



EXXELIA

